



T&S BRASS AND BRONZE WORKS, INC.

2 Saddleback Cove / P.O. Box 1088
Travelers Rest, SC 29690

Model No.

B-2855-02QT

Item No.

Travelers Rest, SC: 800-476-4103 • Simi Valley, CA: 800-423-0150 • Fax: 864-834-3518 • www.tsbrass.com

This Space for Architect/Engineer Approval

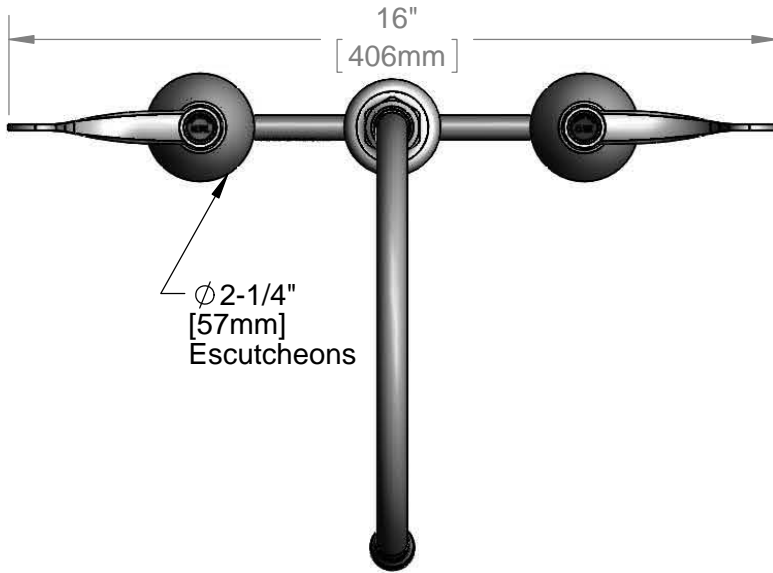
Job Name _____ Date _____

Model Specified _____ Quantity _____

Customer/Wholesaler _____

Contractor _____

Architect/Engineer _____

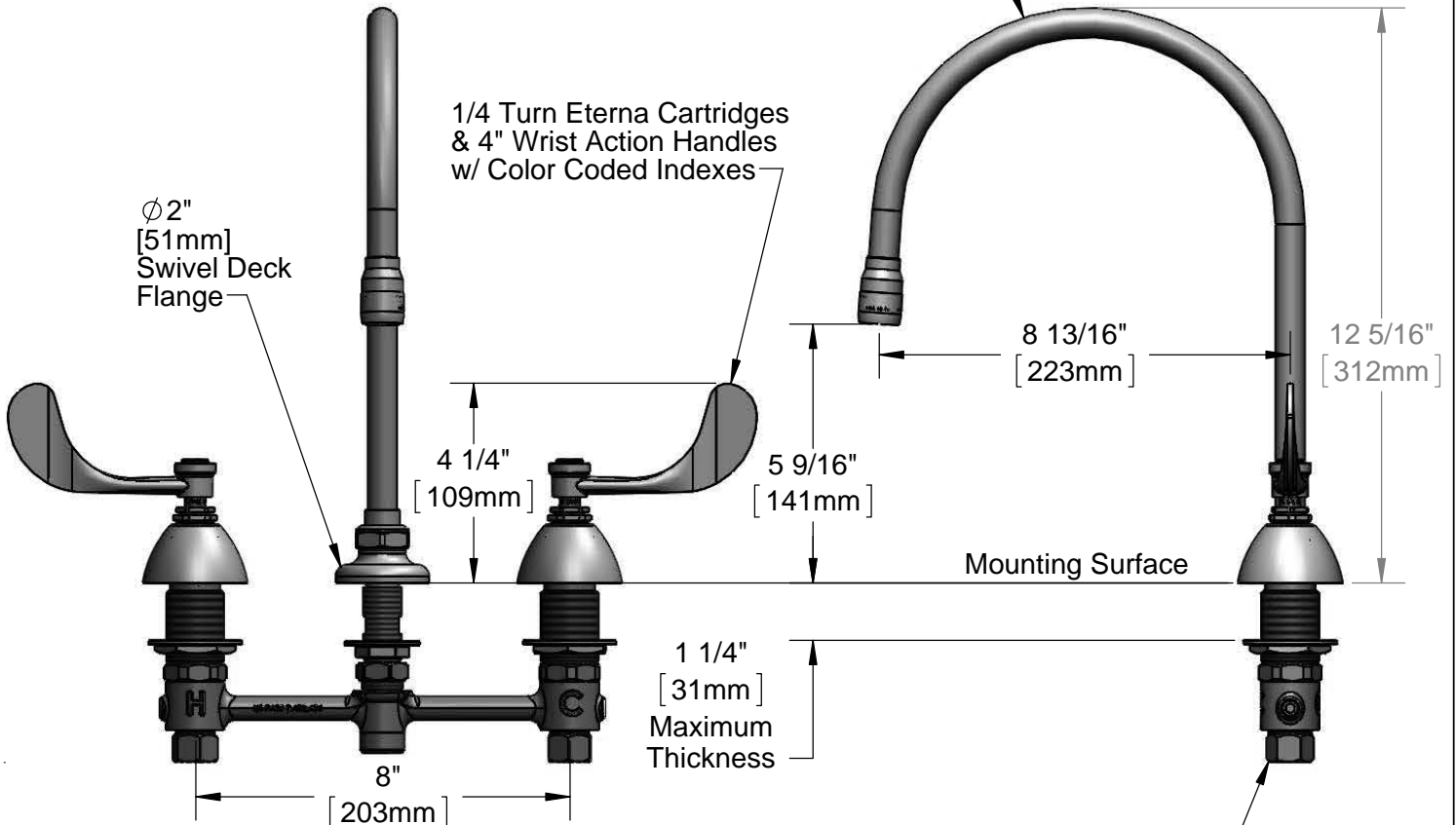


Ø 2-1/4" [57mm]
Escutcheons

Swivel Gooseneck w/
B-0199-29
1.5 GPM Laminar
Flow Device.
Rigid Conversion
Requires 014200-45
Lock Washer
(Included)



ADA Compliant



1/4 Turn Eterna Cartridges
& 4" Wrist Action Handles
w/ Color Coded Indexes

Ø 2" [51mm]
Swivel Deck
Flange

4 1/4" [109mm]

5 9/16" [141mm]

8 13/16" [223mm]

12 5/16" [312mm]

Mounting Surface

1 1/4" [31mm]
Maximum
Thickness

8" [203mm]

1/2" NPSM
Coupling Nuts

Rough-In Requirement:
Ø 1" [25mm] for Center Shank
Ø 1-1/2" [38mm] for Hot/Cold Side

Product Specifications:
8" EasyInstall Concealed Deck Mount Mixing Faucet, 1/4 Turn Eterna Cartridges, 4" Wrist Action Handles, Swivel Gooseneck, 1.5 GPM Laminar Flow Device

Product Compliance:
ASME A112.18.1 / CSA B125.1
NSF 61 - Section 9
NSF 372 (Low Lead Content)
ANSI A117.1 (ADA)



T&S BRASS AND BRONZE WORKS, INC.

2 Saddleback Cove / P.O. Box 1088
Travelers Rest, SC 29690

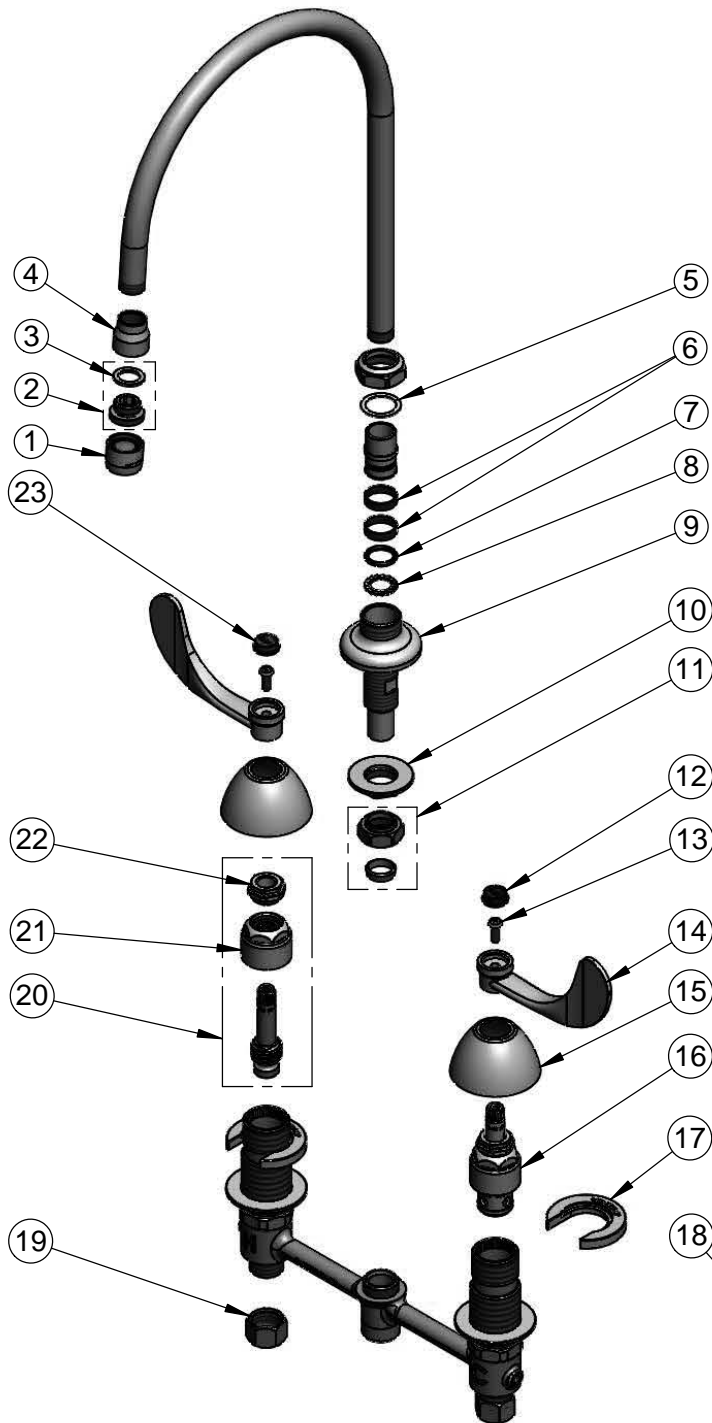
Model No.

B-2855-02QT

Item No.

Travelers Rest, SC: 800-476-4103 • Simi Valley, CA: 800-423-0150 • Fax: 864-834-3518 • www.tsbrass.com

ITEM NO.	SALES NO.	DESCRIPTION
1	B-0199-29	1.5 GPM Laminar Flow Device, 55/64-27 UN Female
2	044A	3/8" to Aerator Adapter
3	001043-45	Washer
4	000557-25	Bell Adapter, 5/8-27 UN Female x 3/8" NPSM Female
5	009538-45	Swivel Washer
6	011429-45	Swivel Sleeves (2)
7	001074-45	O-Ring
8	014200-45	Star Washer, Anti-Rotation
9	016754-40	EasyInstall CWS Swivel Center Shank
10	016742-45	Center Flange Nut
11	016745-45	Compression Nut & Fitting
12	001686-45	Blue Index-CW
13	000925-45	Lab Handle Screw
14	B-WH4	4" Wrist Action Handle
15	001257-40	Bell Escutcheon
16	016925-40	EasyInstall CWS LTC, 1/4 Turn Eterna (Teflon)
17	016749-45	Sidebody C-Washer
18	016777-45	CWS Hanger
19	000958-20	Coupling Nut
20	016926-40	EasyInstall CWS RTC, 1/4 Turn Eterna (Teflon)
21	016743-25	CWS Eterna Bonnet
22	009002-25	Packing Nut
23	001194-45	Red Index-HW



017245-40
Installation Repair Kit
Includes #10, (2)#17, #18

Product Specifications:

8" EasyInstall Concealed Deck Mount Mixing Faucet, 1/4 Turn Eterna Cartridges, 4" Wrist Action Handles, Swivel Gooseneck, 1.5 GPM Laminar Flow Device

Product Compliance:

ASME A112.18.1 / CSA B125.1
NSF 61 - Section 9
NSF 372 (Low Lead Content)
ANSI A117.1 (ADA)