



T&S BRASS AND BRONZE WORKS, INC.

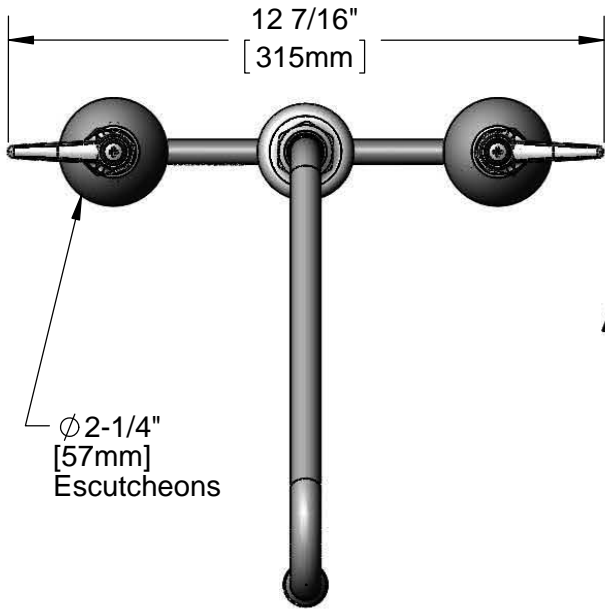
2 Saddleback Cove / P.O. Box 1088
Travelers Rest, SC 29690

Model No.

B-2855-WS

Item No.

Travelers Rest, SC: 800-476-4103 • Simi Valley, CA: 800-423-0150 • Fax: 864-834-3518 • www.tsbrass.com



This Space for Architect/Engineer Approval

Job Name _____ Date _____

Model Specified _____ Quantity _____

Customer/Wholesaler _____

Contractor _____

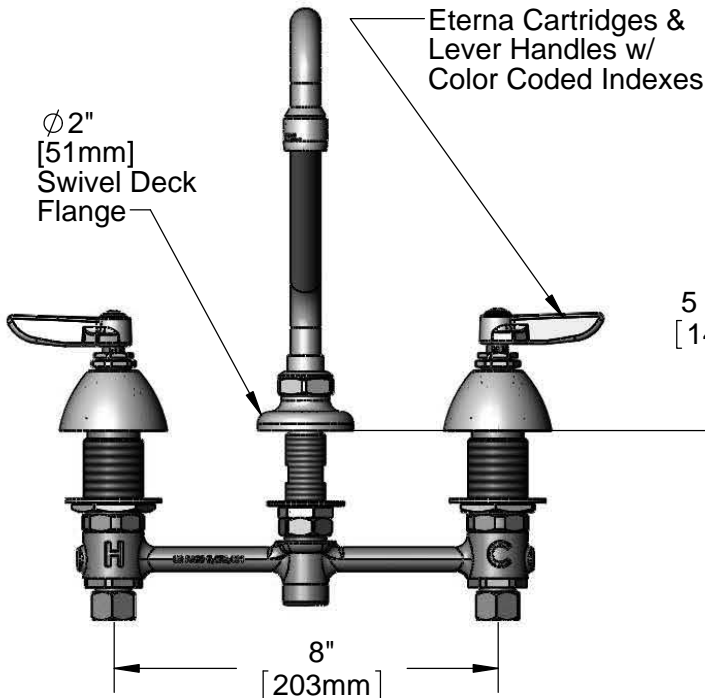
Architect/Engineer _____



ADA Compliant

Ø 2-1/4"
[57mm]
Escutcheons

9" Swing Nozzle w/
WaterSense
1.5 GPM Aerator
(Optional Swivel/Rigid
Washer Included)

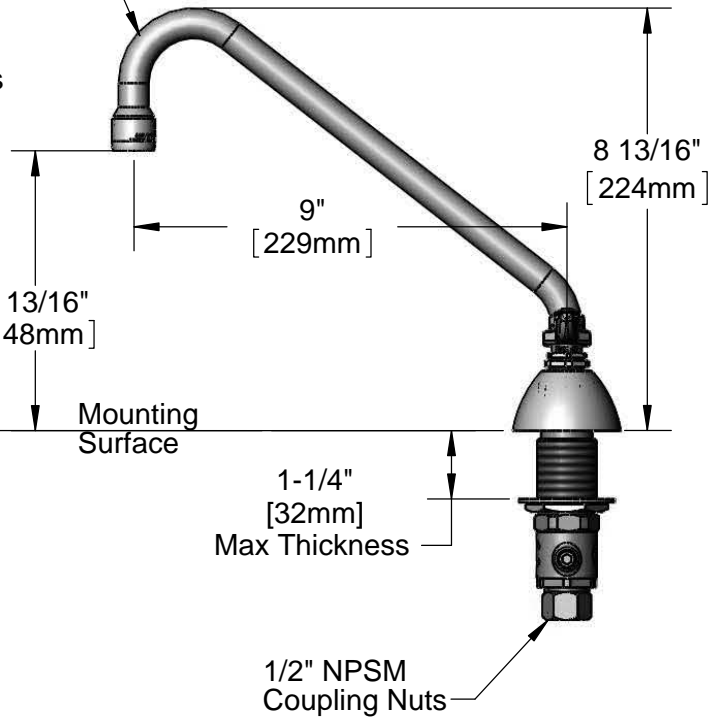


Ø 2"
[51mm]
Swivel Deck
Flange

Eterna Cartridges &
Lever Handles w/
Color Coded Indexes

5 13/16"
[148mm]

Mounting
Surface



8 13/16"
[224mm]

9"

[229mm]

1-1/4"
[32mm]
Max Thickness

1/2" NPSM
Coupling Nuts

Rough-In Requirement:

Ø 1" [25mm] for Center Shank

Ø 1-1/2" [38mm] for Hot/Cold Side

Product Specifications:

EasyInstall Faucet, Lever Handles, Eterna Cartridges,
8" Inlet Centers & 9" Swing Nozzle w/ 1.5 GPM Aerator

Drawn

JRM

Checked

DMH

Approved

JHB

Scale:

1:4

Date:

06/21/12



T&S BRASS AND BRONZE WORKS, INC.

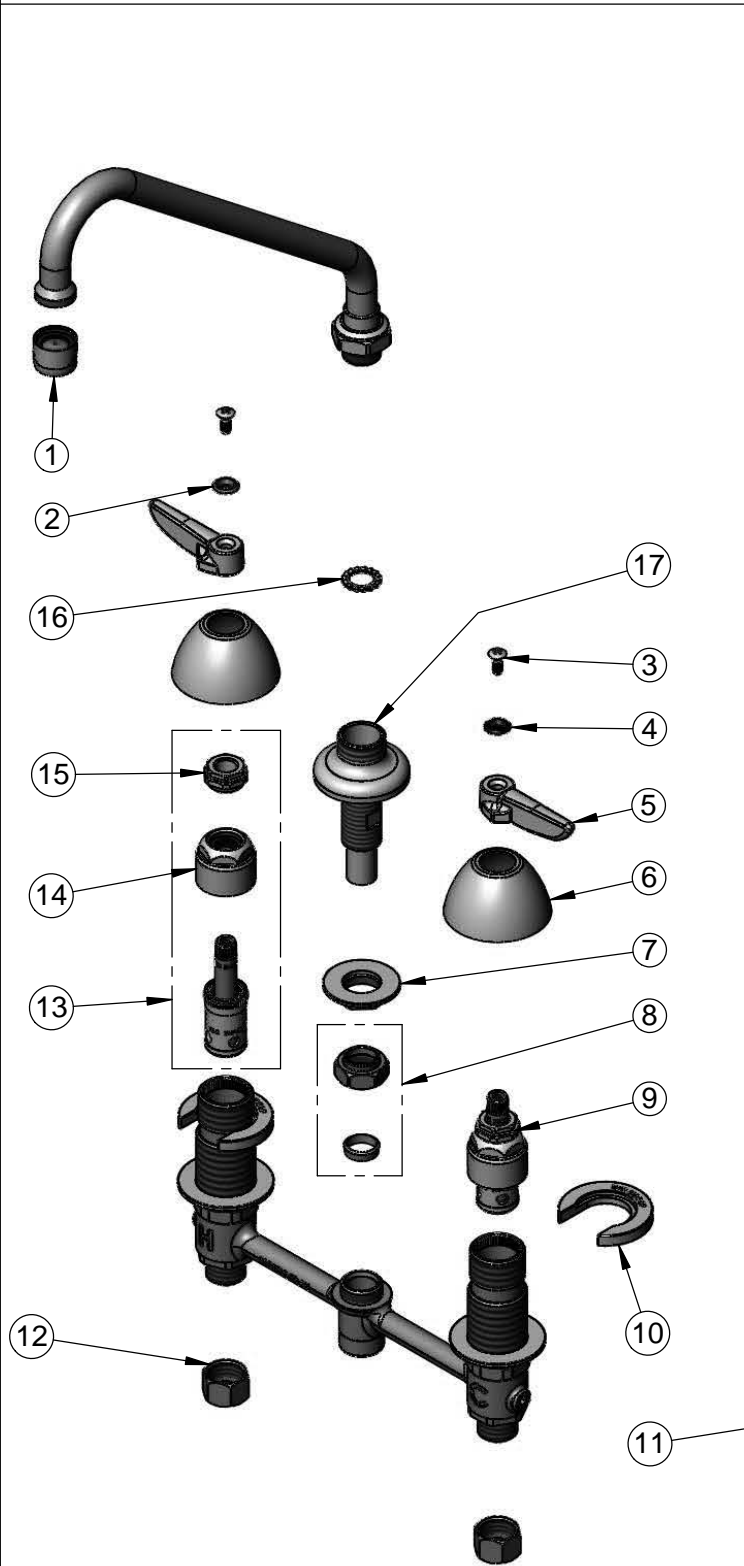
2 Saddleback Cove / P.O. Box 1088
Travelers Rest, SC 29690

Model No.

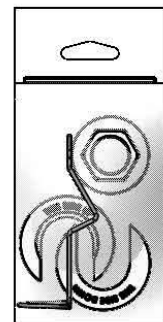
B-2855-WS

Item No.

Travelers Rest, SC: 800-476-4103 • Simi Valley, CA: 800-423-0150 • Fax: 864-834-3518 • www.tsbrass.com



ITEM NO.	SALES NO.	DESCRIPTION
1	B-0199-01-WS	1.5 GPM Aerator, 55/64-27 Female
2	001661-45	Red Index-HW
3	000922-45	Lever Handle Screw
4	001660-45	Blue Index-CW
5	001638-45	Lever Handle
6	001257-40	Bell Escutcheon
7	016742-45	Center Flange Nut
8	016745-45	Compression Nut & Fitting
9	016752-40	EasyInstall CWS LTC Eterna (Teflon)
10	016749-45	Sidebody C-Washer
11	016777-45	CWS Hanger
12	000958-20	Coupling Nut
13	016753-40	EasyInstall CWS RTC Eterna (Teflon)
14	016743-25	CWS Eterna Bonnet
15	009002-25	Packing Nut Assembly
16	014200-45	Star Washer, Anti-Rotation
17	016754-40	EasyInstall CWS Swivel Center Shank



017245-40
Installation Repair Kit
Includes #7, (2)#10, & #11

Product Specifications:
EasyInstall Faucet, Lever Handles, Eterna Cartridges,
8" Inlet Centers & 9" Swing Nozzle w/ 1.5 GPM Aerator

Drawn JRM	Checked DMH	Approved JHB
Scale: NTS		Date: 06/21/12