



T&S BRASS AND BRONZE WORKS, INC.

2 Saddleback Cove / P.O. Box 1088
Travelers Rest, SC 29690

Model No.

B-2855

Item No.

Travelers Rest, SC: 800-476-4103 • Simi Valley, CA: 800-423-0150 • Fax: 864-834-3518 • www.tsbrass.com



ADA Compliant

This Space for Architect/Engineer Approval

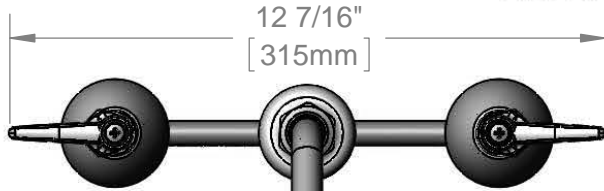
Job Name _____ Date _____

Model Specified _____ Quantity _____

Customer/Wholesaler _____

Contractor _____

Architect/Engineer _____



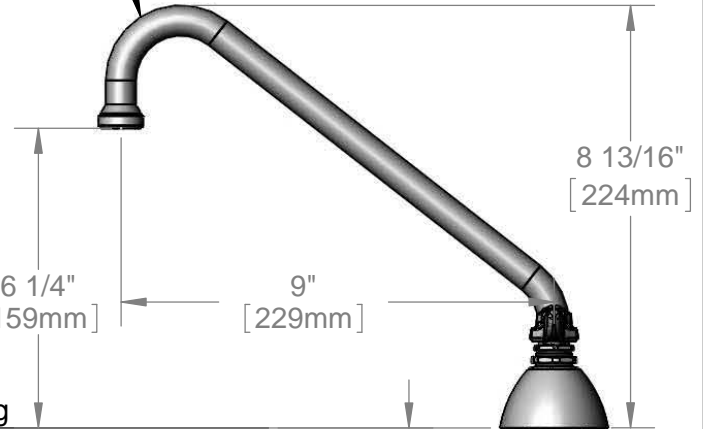
12 7/16"
[315mm]

166X
9" Swing Nozzle w/
Stream Regulator Outlet.
Rigid Conversion Requires
014200-45 Lock Washer
(Included)



Eterna Cartridges
& Lever Handles w/
Color Coded Indexes

Ø2"
[51mm]
Swivel
Deck
Flange



6 1/4"
[159mm]

9"
[229mm]

8 13/16"
[224mm]

Mounting
Surface

1 1/4"
Maximum
Thickness

1/2" NPSM
Coupling Nuts

2 9/16"
[65mm]

8"
[203mm]

Ø2 1/4"
[57mm]
Escutcheons

Rough-In Requirement:
Center Shank: Ø1" [25mm] Mounting Hole
Hot/Cold Side: Ø1 1/2" [38mm] Mounting Holes

Product Specifications:

8" Deck Mount EasyInstall Mixing Faucet, Eterna Cartridges, Lever Handles, 9" Swing Nozzle, Stream Regulator Outlet & 1/2" NPSM Male Inlets

Product Compliance:

ASME A112.18.1 / CSA B125.1
NSF 61 - Section 9
NSF 372 (Low Lead Content)
ANSI A117.1 (ADA)

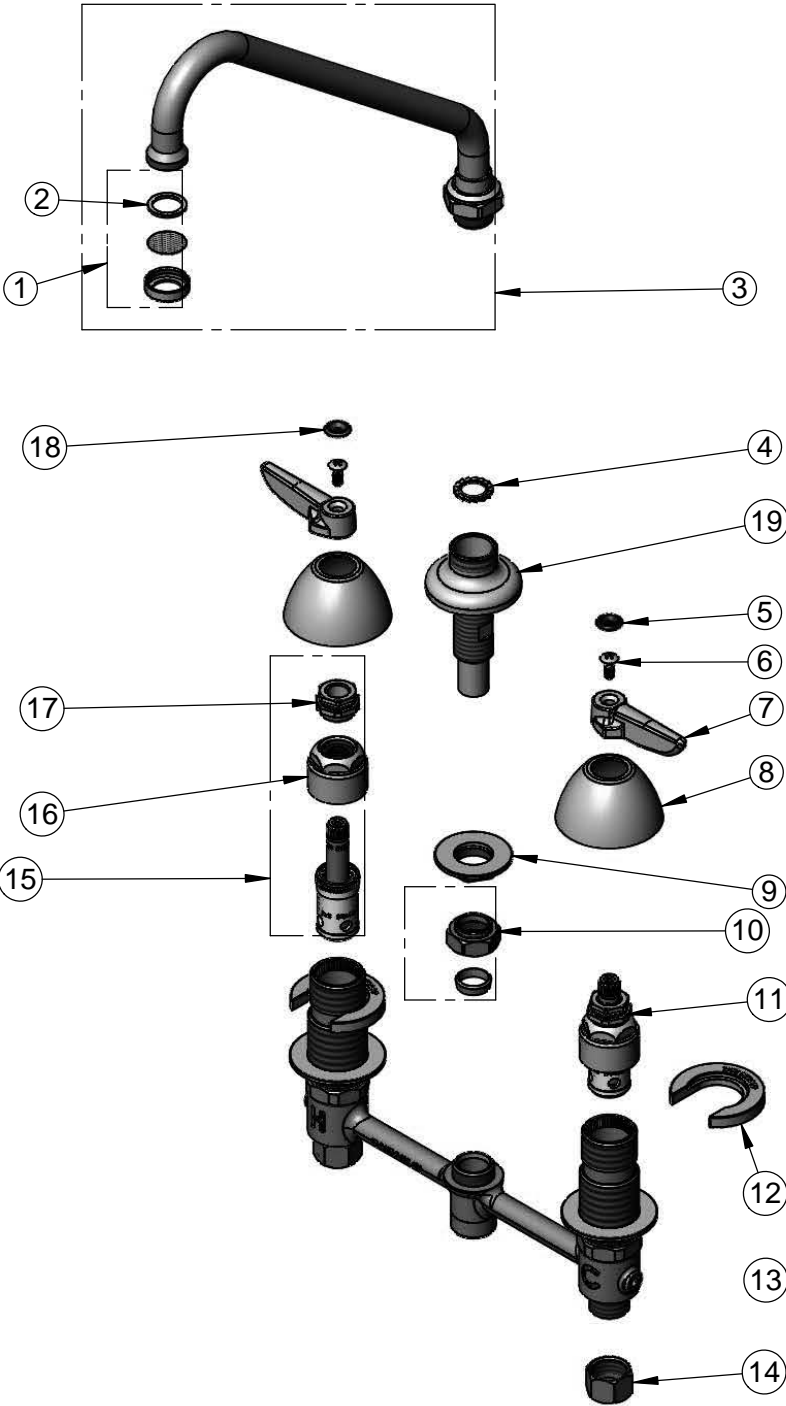


T&S BRASS AND BRONZE WORKS, INC.
 2 Saddleback Cove / P.O. Box 1088
 Travelers Rest, SC 29690

Model No.
B-2855

Item No.

Travelers Rest, SC: 800-476-4103 • Simi Valley, CA: 800-423-0150 • Fax: 864-834-3518 • www.tsbrass.com



ITEM NO.	SALES NO.	DESCRIPTION
1	B-PT	Stream Regulator Outlet
2	001048-45	Nozzle Tip Washer
3	166X	9" Swing Nozzle
4	014200-45	Star Washer, Anti-Rotation
5	001660-45	Blue Index-CW
6	000922-45	Lever Handle Screw
7	001638-45	Lever Handle
8	001257-40	Bell Escutcheon
9	016742-45	Center Flange Nut
10	016745-45	Compression Nut & Fitting
11	016752-40	EasyInstall CWS LTC Eterna (Teflon)
12	016749-45	Sidebody C-Washer
13	016777-45	CWS Hanger
14	000958-20	Coupling Nut
15	016753-40	EasyInstall CWS RTC Eterna (Teflon)
16	016743-25	CWS Eterna Bonnet
17	009002-25	Packing Nut
18	001661-45	Red Index-HW
19	016754-40	EasyInstall CWS Swivel Center Shank



017245-40
 Installation Repair Kit
 Includes #9, (2)#12, & #13

Product Specifications:

8" Deck Mount EasyInstall Mixing Faucet, Eterna Cartridges, Lever Handles, 9" Swing Nozzle, Stream Regulator Outlet & 1/2" NPSM Male Inlets

Product Compliance:

ASME A112.18.1 / CSA B125.1
 NSF 61 - Section 9
 NSF 372 (Low Lead Content)
 ANSI A117.1 (ADA)