



**T&S BRASS AND BRONZE WORKS, INC.**  
 2 Saddleback Cove / P.O. Box 1088  
 Travelers Rest, SC 29690

Model No.  
**B-2862-08-LF16**

Item No.

Travelers Rest, SC: 800-476-4103 • Simi Valley, CA: 800-423-0150 • Fax: 864-834-3518 • www.tsbrass.com

This Space for Architect/Engineer Approval

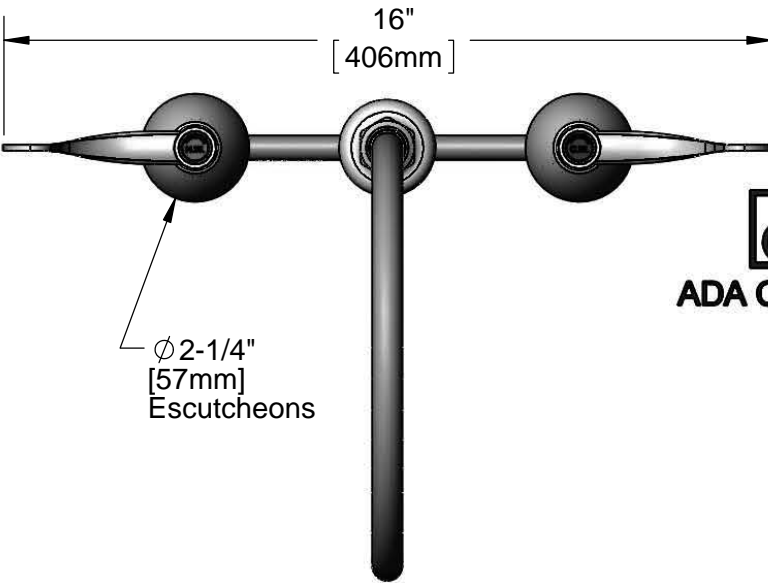
Job Name \_\_\_\_\_ Date \_\_\_\_\_

Model Specified \_\_\_\_\_ Quantity \_\_\_\_\_

Customer/Wholesaler \_\_\_\_\_

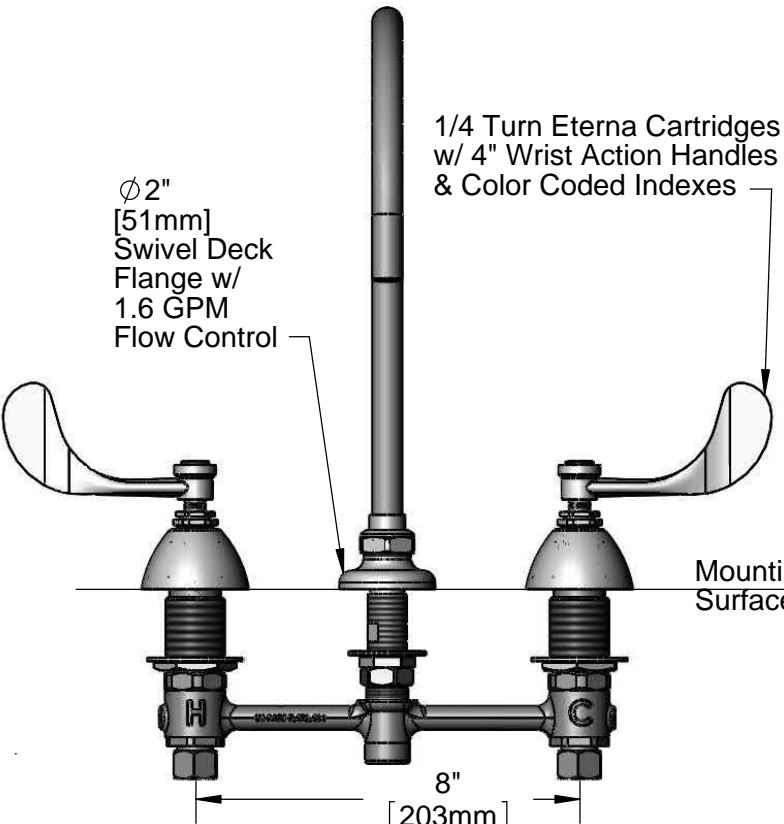
Contractor \_\_\_\_\_

Architect/Engineer \_\_\_\_\_



**ADA Compliant**

Ø 2-1/4"  
 [57mm]  
 Escutcheons

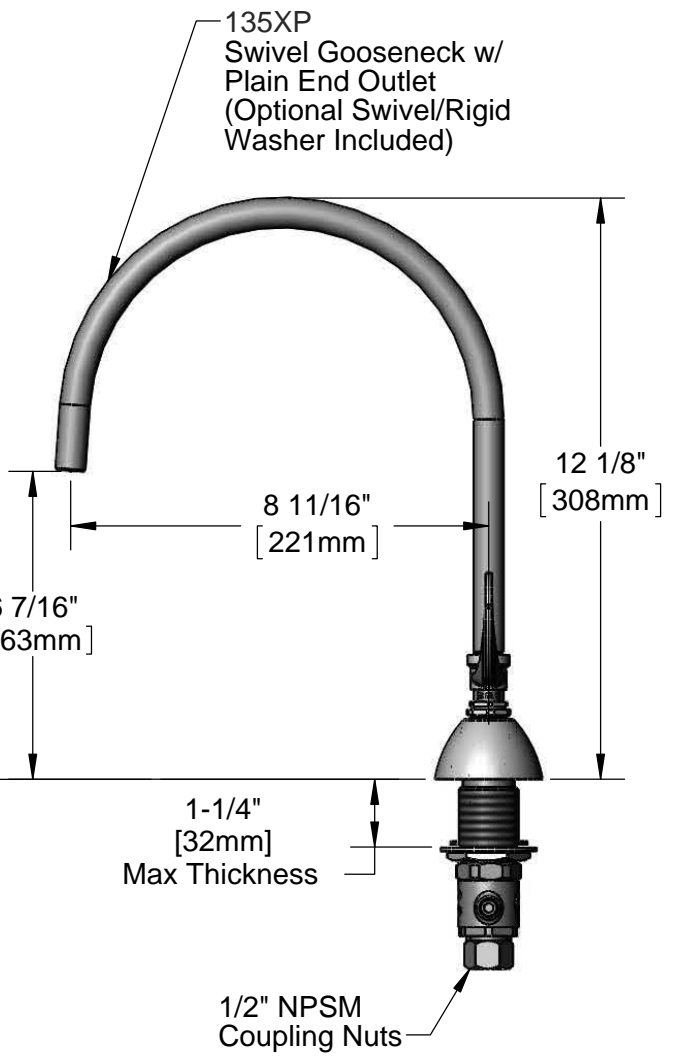


Ø 2"  
 [51mm]  
 Swivel Deck  
 Flange w/  
 1.6 GPM  
 Flow Control

1/4 Turn Eterna Cartridges  
 w/ 4" Wrist Action Handles  
 & Color Coded Indexes

Mounting  
 Surface

8"  
 [203mm]



135XP  
 Swivel Gooseneck w/  
 Plain End Outlet  
 (Optional Swivel/Rigid  
 Washer Included)

12 1/8"  
 [308mm]

8 11/16"  
 [221mm]

6 7/16"  
 [163mm]

1-1/4"  
 [32mm]  
 Max Thickness

1/2" NPSM  
 Coupling Nuts

Rough-In Requirement:  
 Ø 1" [25mm] for Center Shank  
 Ø 1-1/2" [38mm] for Hot/Cold Side

Product Specifications:  
 EasyInstall Faucet w/ 4" Wrist Action Handles, 1/4 Turn Eterna  
 Cartridges, 8" Inlet Centers, 1.6 GPM Flow Control,  
 & Swivel Gooseneck w/ Plain End Outlet

Drawn <b>JRM</b>	Checked <b>DMH</b>	Approved <b>JHB</b>
Scale: <b>1:4</b>		Date: <b>06/21/12</b>

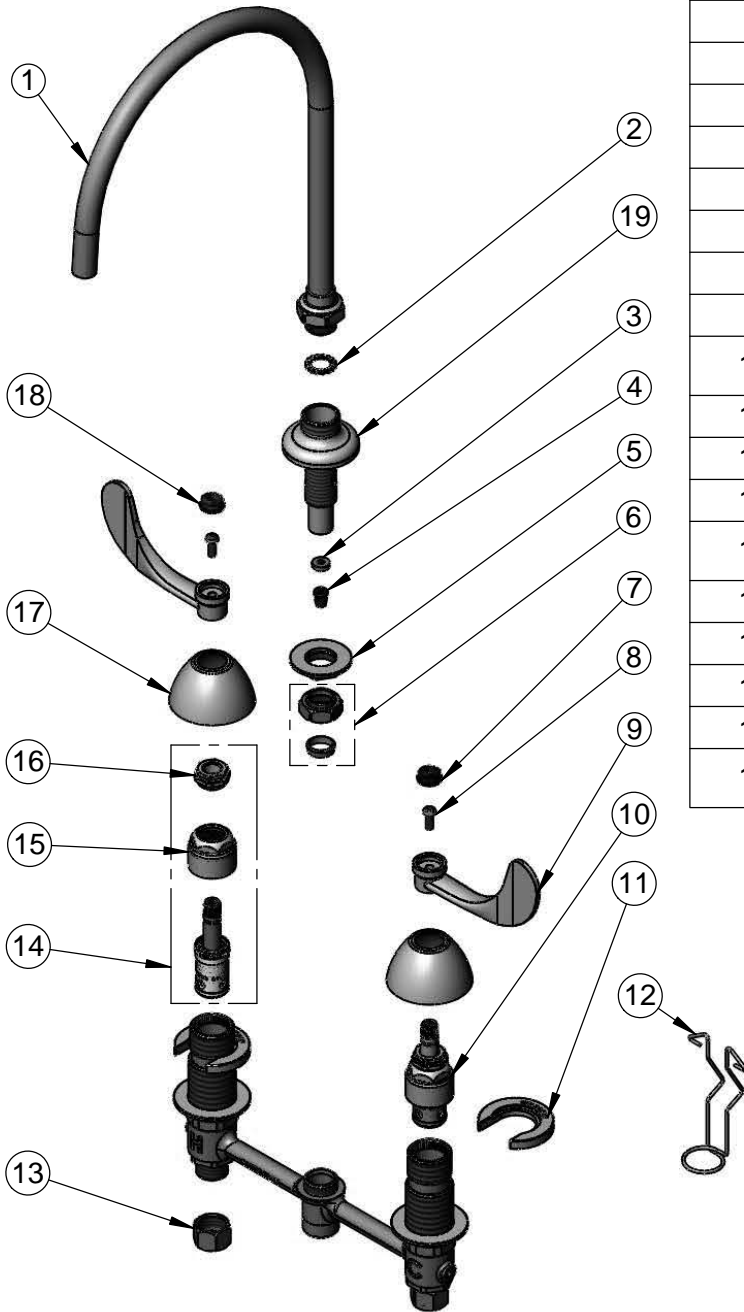


**T&S BRASS AND BRONZE WORKS, INC.**  
 2 Saddleback Cove / P.O. Box 1088  
 Travelers Rest, SC 29690

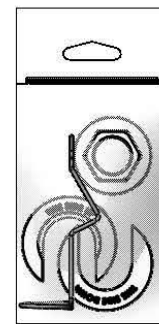
Model No.  
**B-2862-08-LF16**

Item No.

Travelers Rest, SC: 800-476-4103 • Simi Valley, CA: 800-423-0150 • Fax: 864-834-3518 • www.tsbrass.com



ITEM NO.	SALES NO.	DESCRIPTION
1	135XP	Plain End Gooseneck
2	014200-45	Star Washer, Anti-Rotation
3	009069-45	Flow Control Holder
4	016232-45	Flow Tower, 1.6 GPM
5	016742-45	Center Flange Nut
6	016745-45	Compression Nut & Fitting
7	001686-45	Blue CW Index
8	000925-45	Lab Handle Screw
9	B-WH4	4" Wrist Action Handle
10	016925-40	EasyInstall CWS 1/4 Turn LTC Eterna (Teflon)
11	016749-45	Sidebody C-Washer
12	016777-45	CWS Hanger
13	000958-20	Coupling Nut
14	016926-40	EasyInstall CWS 1/4 Turn RTC Eterna (Teflon)
15	016743-25	CWS Bonnet Assembly
16	009002-25	Packing Nut Assembly
17	001257-40	Bell Escutcheon
18	001194-45	Red HW Index
19	016754-40	EasyInstall CWS Swivel Center Shank



017245-40  
 Installation Repair Kit  
 Includes #5, (2)#11, #12

Product Specifications:  
 EasyInstall Faucet w/ 4" Wrist Action Handles, 1/4 Turn Eterna Cartridges, 8" Inlet Centers, 1.6 GPM Flow Control, & Swivel Gooseneck w/ Plain End Outlet

Drawn <b>JRM</b>	Checked <b>DMH</b>	Approved <b>JHB</b>
Scale: <b>NTS</b>		Date: <b>06/21/12</b>