



T&S BRASS AND BRONZE WORKS, INC.

2 Saddleback Cove / P.O. Box 1088
Travelers Rest, SC 29690

Model No.

B-2862-QT-WS

Item No.

Travelers Rest, SC: 800-476-4103 • Simi Valley, CA: 800-423-0150 • Fax: 864-834-3518 • www.tsbrass.com



ADA Compliant

This Space for Architect/Engineer Approval

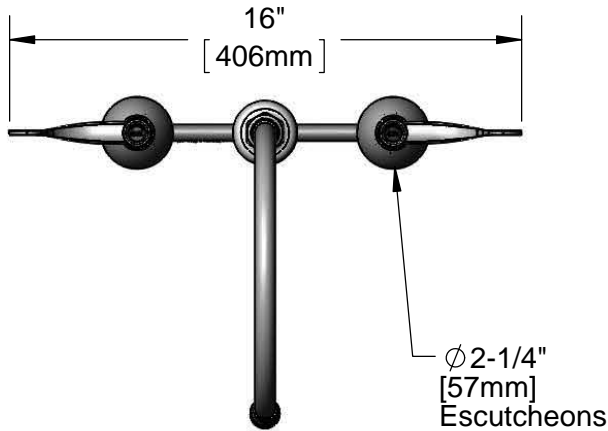
Job Name _____ Date _____

Model Specified _____ Quantity _____

Customer/Wholesaler _____

Contractor _____

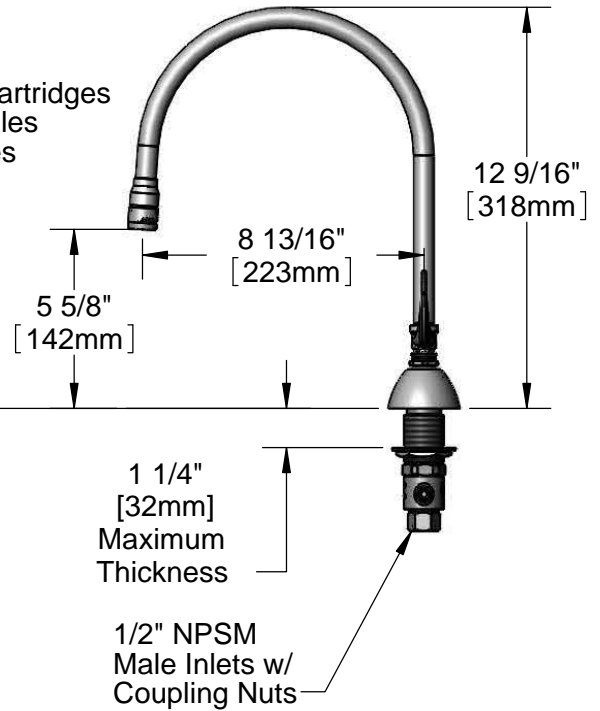
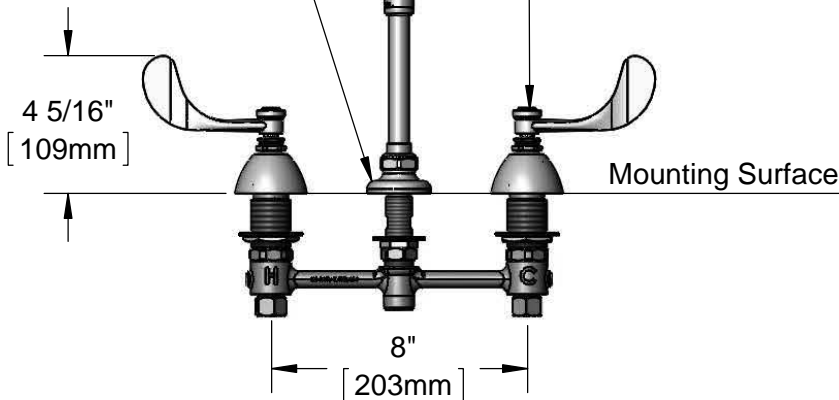
Architect/Engineer _____



Swivel Gooseneck w/
B-0199-01-WS
1.5 GPM Aerator
(Optional Swivel/Rigid
Washer Included)

Quarter-Turn Eterna Cartridges
& 4" Wrist Action Handles
w/ Color Coded Indexes

Ø 2"
[51mm]
Swivel Deck
Flange



Rough-In Requirement:

Ø 1" [25mm] for Center Shank

Ø 1-1/2" [38mm] for Hot/Cold Side

Product Specifications:

EasyInstall Faucet w/ 4" Wrist Action Handles, Quarter-Turn Eterna Cartridges, 8" Inlet Centers & Swivel Gooseneck w/ 1.5 GPM Aerator

Product Compliance:

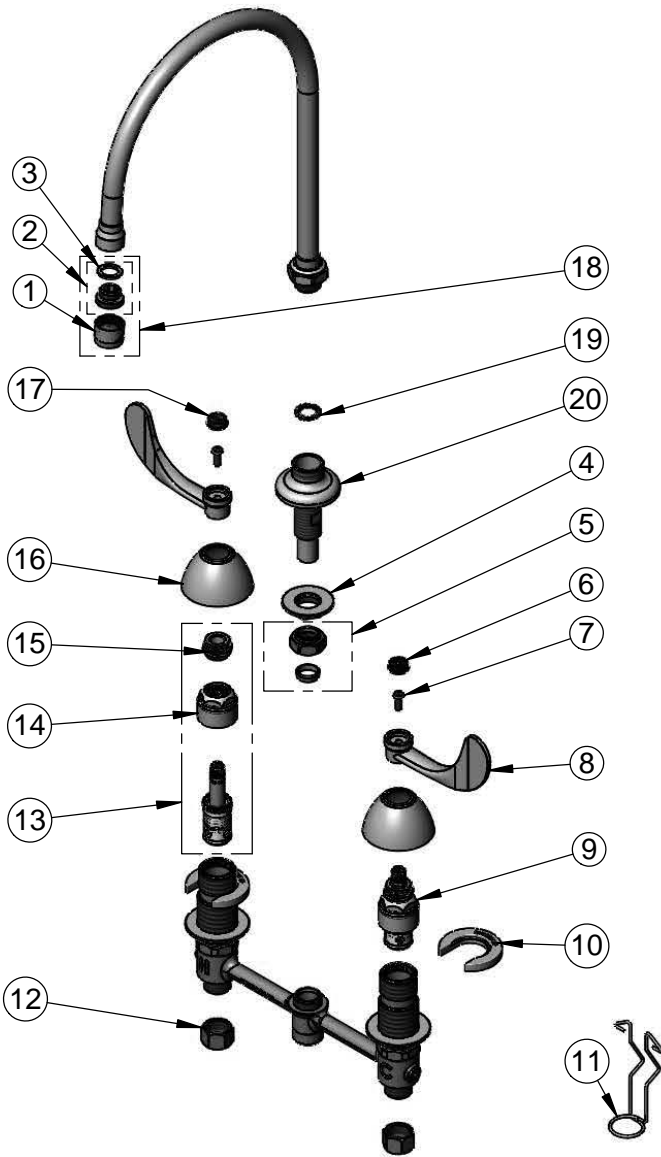
ASME A112.18.1 / CSA B125.1
NSF 61 - Section 9
NSF 372 (Low Lead Content)
ANSI A117.1 (ADA)



T&S BRASS AND BRONZE WORKS, INC.
 2 Saddleback Cove / P.O. Box 1088
 Travelers Rest, SC 29690

Model No.
B-2862-QT-WS
 Item No.

Travelers Rest, SC: 800-476-4103 • Simi Valley, CA: 800-423-0150 • Fax: 864-834-3518 • www.tsbrass.com



ITEM NO.	SALES NO.	DESCRIPTION
1	B-0199-01-WS	1.5 GPM Aerator, 55/64-27 Female
2	044A	3/8" to Aerator Adapter
3	001043-45	Washer
4	016742-45	Center Flange Nut
5	016745-45	Compression Nut & Fitting
6	001686-45	Blue Index - CW
7	000925-45	Lab Handle Screw
8	B-WH4	4" Wrist Action Handle
9	016925-40	EasyInstall CWS LTC, Quarter-Turn Eterna (Teflon)
10	016749-45	Sidebody C-Washer
11	016777-45	CWS Hanger
12	000958-20	Coupling Nut
13	016926-40	EasyInstall CWS RTC, Quarter-Turn Eterna (Teflon)
14	016743-25	CWS Eterna Bonnet
15	009002-25	Packing Nut
16	001257-40	Bell Escutcheon
17	001194-45	Red Index - HW
18	B-0199-02-WS	1.5 GPM Female Aerator, Adapter & Washer
19	014200-45	Star Washer, Anti-Rotation
20	016754-40	EasyInstall CWS Swivel Center Shank



017245-40
 Installation Repair Kit
 Includes #4, (2)#10, & #11

Product Specifications:
 EasyInstall Faucet w/ 4" Wrist Action Handles, Quarter-Turn Eterna Cartridges, 8" Inlet Centers & Swivel Gooseneck w/ 1.5 GPM Aerator

Product Compliance:
 ASME A112.18.1 / CSA B125.1
 NSF 61 - Section 9
 NSF 372 (Low Lead Content)
 ANSI A117.1 (ADA)