



T&S BRASS AND BRONZE WORKS, INC.

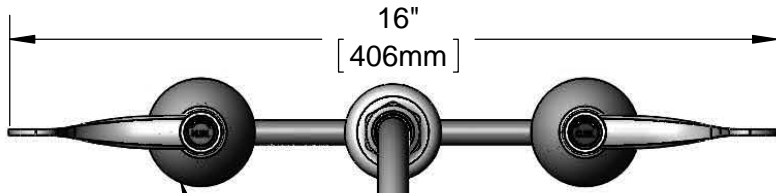
2 Saddleback Cove / P.O. Box 1088
Travelers Rest, SC 29690

Model No.

B-2862-QT

Item No.

Travelers Rest, SC: 800-476-4103 • Simi Valley, CA: 800-423-0150 • Fax: 864-834-3518 • www.tsbrass.com



Ø2-1/4"
[57mm]
Escutcheons



ADA Compliant

This Space for Architect/Engineer Approval

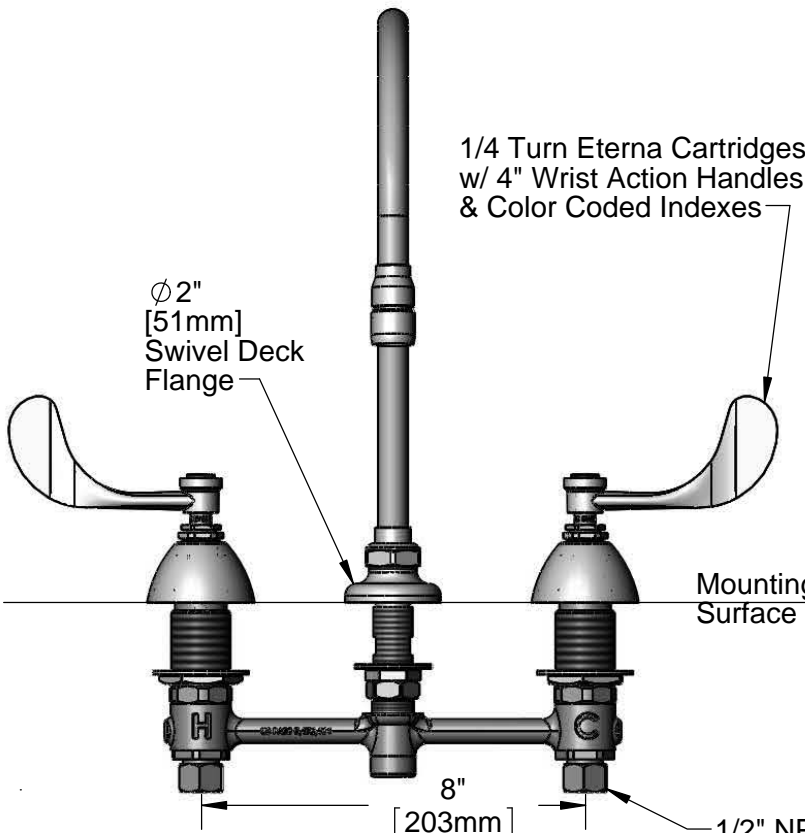
Job Name _____ Date _____

Model Specified _____ Quantity _____

Customer/Wholesaler _____

Contractor _____

Architect/Engineer _____



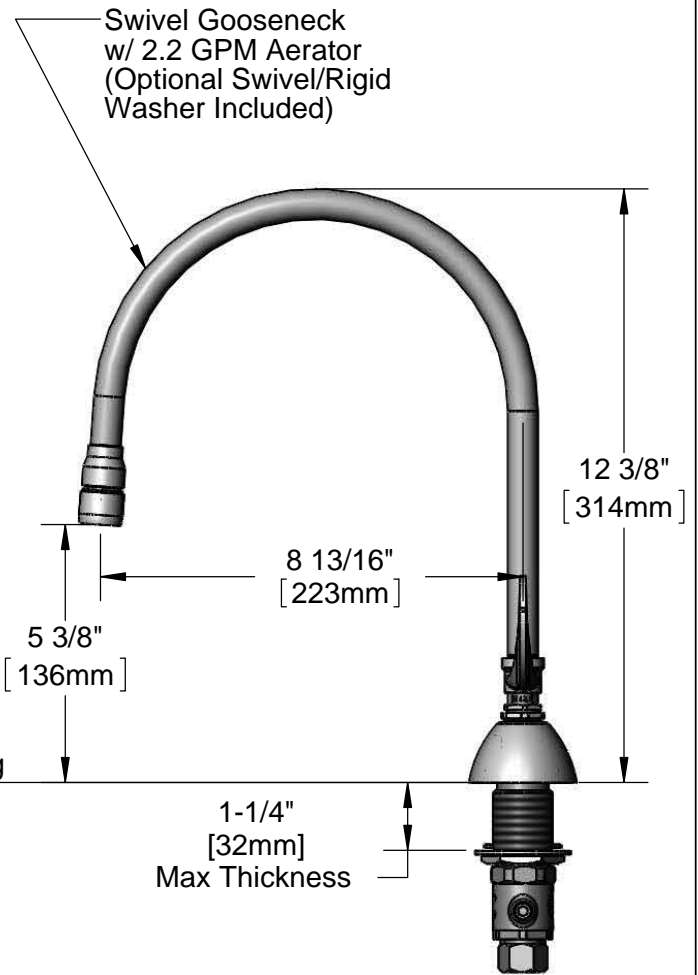
Ø2"
[51mm]
Swivel Deck
Flange

1/4 Turn Eterna Cartridges
w/ 4" Wrist Action Handles
& Color Coded Indexes

Mounting
Surface

8"
[203mm]

1/2" NPSM
Coupling Nuts



Swivel Gooseneck
w/ 2.2 GPM Aerator
(Optional Swivel/Rigid
Washer Included)

12 3/8"
[314mm]

8 13/16"
[223mm]

5 3/8"
[136mm]

1-1/4"
[32mm]
Max Thickness

Rough-In Requirement:
Ø1" [25mm] for Center Shank
Ø1-1/2" [38mm] for Hot/Cold Side

Product Specifications:
EasyInstall Faucet w/ 4" Wrist Action Handles, 1/4 Turn Eterna
Cartridges, 8" Inlet Centers & Swivel Gooseneck w/ 2.2 GPM Aerator

Drawn

JRM

Checked

DMH

Approved

JHB

Scale:

1:4

Date:

06/21/12



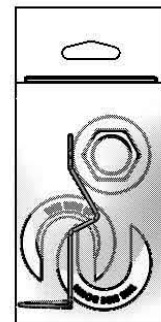
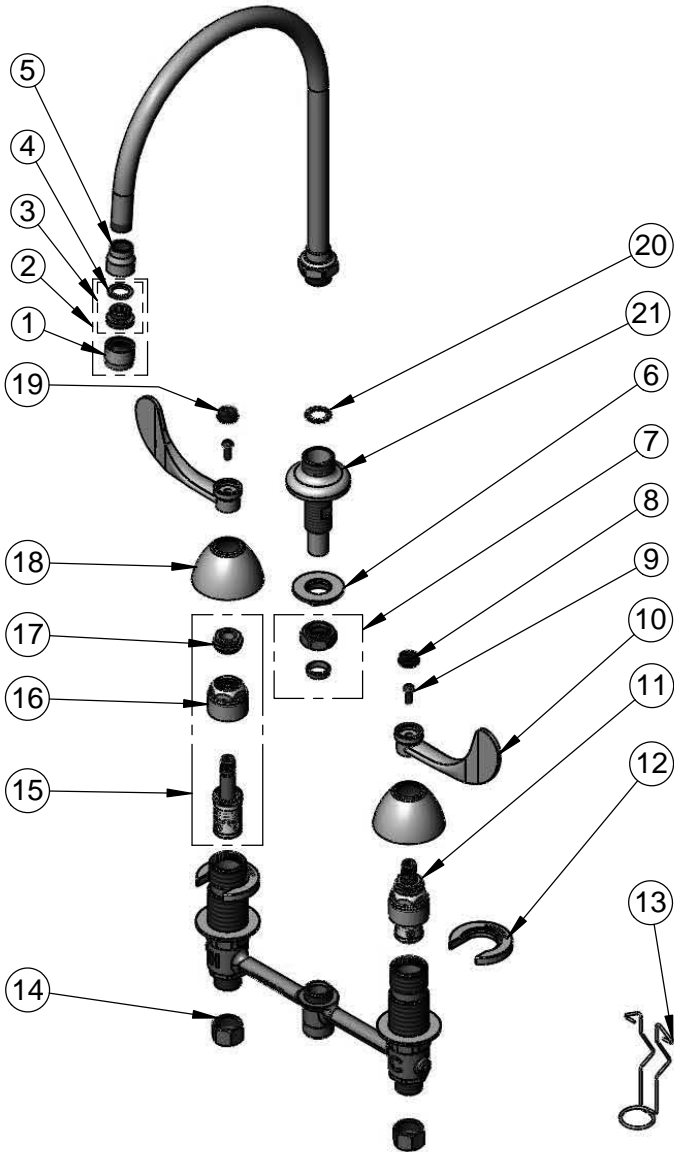
T&S BRASS AND BRONZE WORKS, INC.
 2 Saddleback Cove / P.O. Box 1088
 Travelers Rest, SC 29690

Model No.
B-2862-QT

Item No.

Travelers Rest, SC: 800-476-4103 • Simi Valley, CA: 800-423-0150 • Fax: 864-834-3518 • www.tsbrass.com

ITEM NO.	SALES NO.	DESCRIPTION
1	B-0199-01	2.2 GPM Female Aerator
2	B-0199-02	2.2 GPM Male Aerator
3	044A	3/8" to Aerator Adapter
4	009636-45	Washer
5	000557-25	Bell Adapter
6	016742-45	Center Flange Nut
7	016745-45	Compression Nut & Fitting
8	001686-45	Blue CW Index
9	000925-45	Lab Handle Screw
10	B-WH4	4" Wrist Action Handle
11	016925-40	1/4 Turn Eterna LTC (Teflon)
12	016749-45	C-Washer
13	016777-45	CWS Hanger
14	000958-20	Coupling Nut
15	016926-40	1/4 Turn Eterna RTC (Teflon)
16	016743-25	CWS Bonnet Assembly
17	009002-25	Packing Nut Assembly
18	001257-40	Bell Escutcheon
19	001194-45	Red HW Index
20	014200-45	Star Washer, Anti-Rotation
21	016754-40	EasyInstall CWS Swivel Center Shank



017245-40
 Installation Repair Kit
 Includes #6, (2)#12, & #13

Product Specifications:
 EasyInstall Faucet w/ 4" Wrist Action Handles, 1/4 Turn Eterna Cartridges, 8" Inlet Centers & Swivel Gooseneck w/ 2.2 GPM Aerator

Drawn JRM	Checked DMH	Approved JHB
---------------------	-----------------------	------------------------

Scale: NTS	Date: 06/21/12
----------------------	--------------------------