



T&S BRASS AND BRONZE WORKS, INC.

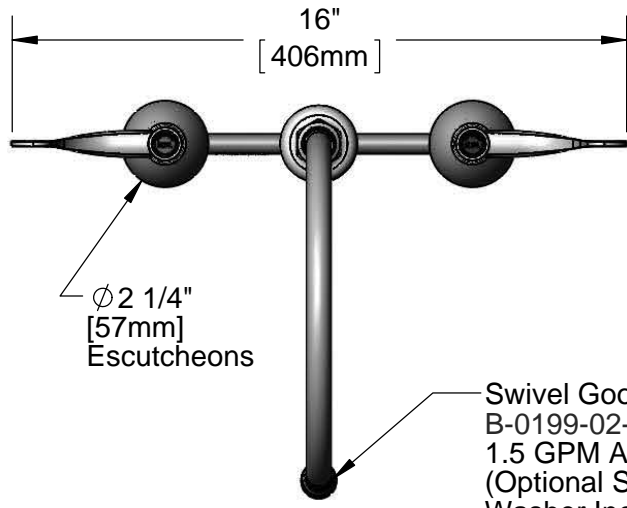
2 Saddleback Cove / P.O. Box 1088
Travelers Rest, SC 29690

Model No.

B-2862-WS

Item No.

Travelers Rest, SC: 800-476-4103 • Simi Valley, CA: 800-423-0150 • Fax: 864-834-3518 • www.tsbrass.com



This Space for Architect/Engineer Approval

Job Name _____ Date _____

Model Specified _____ Quantity _____

Customer/Wholesaler _____

Contractor _____

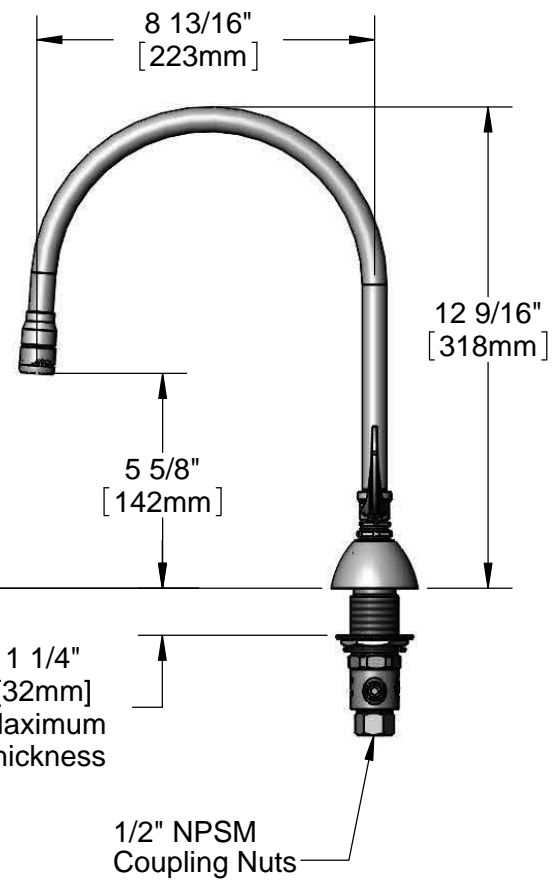
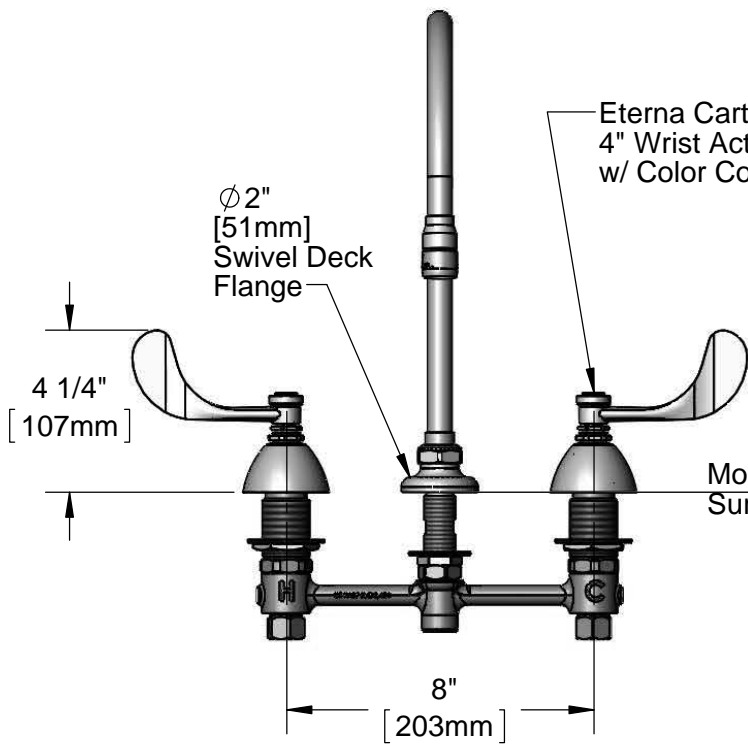
Architect/Engineer _____



ADA Compliant



Swivel Gooseneck w/
B-0199-02-WS
1.5 GPM Aerator
(Optional Swivel/Rigid
Washer Included)



Rough-In Requirement:
 $\phi 1$ " [25mm] for Center Shank
 $\phi 1 \frac{1}{2}$ " [38mm] for Hot/Cold Side

Product Specifications:
EasyInstall 8" Concealed Widespread Mixing Faucet, Eterna Cartridges, 4" Wrist Action Handles, Swivel Gooseneck w/ 1.5 GPM Aerator & 1/2" NPSM Coupling Nut Inlets

Product Compliance:
ASME A112.18.1 / CSA B125.1
NSF 61 - Section 9
NSF 372 (Low Lead Content)
ANSI A117.1 (ADA)
EPA WaterSense



T&S BRASS AND BRONZE WORKS, INC.

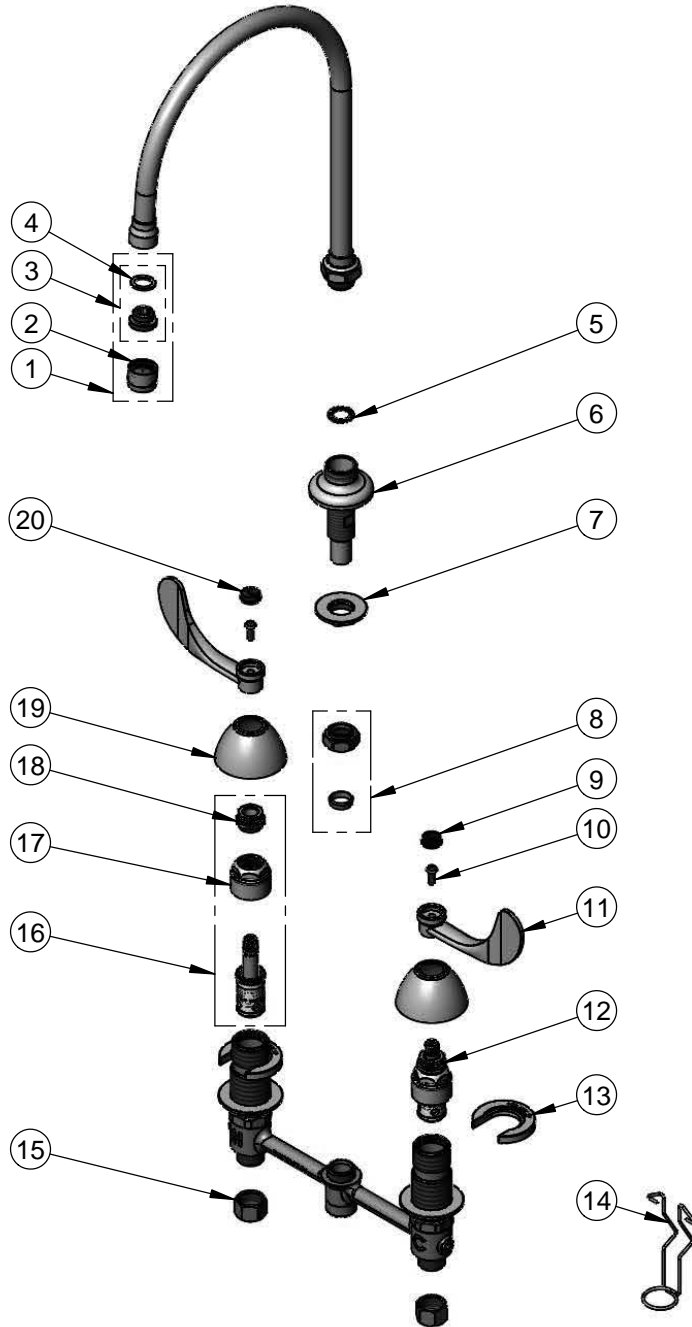
2 Saddleback Cove / P.O. Box 1088
Travelers Rest, SC 29690

Model No.

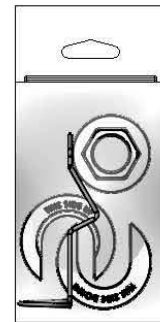
B-2862-WS

Item No.

Travelers Rest, SC: 800-476-4103 • Simi Valley, CA: 800-423-0150 • Fax: 864-834-3518 • www.tsbrass.com



ITEM NO.	SALES NO.	DESCRIPTION
1	B-0199-02-WS	1.5 GPM Aerator, 3/8" NPSM Male
2	B-0199-01-WS	1.5 GPM Aerator, 55/64-27 UN Female
3	044A	3/8" to Aerator Adapter
4	001043-45	Washer
5	014200-45	Star Washer, Anti-Rotation
6	016754-40	EasyInstall CWS Swivel Center Shank
7	016742-45	Center Flange Nut
8	016745-45	Compression Nut & Fitting
9	001686-45	Blue Index - CW
10	000925-45	Lab Handle Screw
11	B-WH4	4" Wrist Action Handle
12	016752-40	EasyInstall CWS LTC Eterna (Teflon)
13	016749-45	Sidebody C-Washer
14	016777-45	CWS Hanger
15	000958-20	Coupling Nut
16	016753-40	EasyInstall CWS RTC Eterna (Teflon)
17	016743-25	CWS Eterna Bonnet
18	009002-25	Packing Nut Assembly
19	001257-40	Bell Escutcheon
20	001194-45	Red Index - HW



017245-40
Installation Repair Kit
Includes #7, (2)#13, & #14

Product Specifications:

EasyInstall 8" Concealed Widespread Mixing Faucet, Eterna Cartridges, 4" Wrist Action Handles, Swivel Gooseneck w/ 1.5 GPM Aerator & 1/2" NPSM Coupling Nut Inlets

Product Compliance:

ASME A112.18.1 / CSA B125.1
NSF 61 - Section 9
NSF 372 (Low Lead Content)
ANSI A117.1 (ADA)
EPA WaterSense (PRSV)