



T&S BRASS AND BRONZE WORKS, INC.

2 Saddleback Cove / P.O. Box 1088
Travelers Rest, SC 29690

Model No.

B-2865-04-122X

Item No.

Travelers Rest, SC: 800-476-4103 • Simi Valley, CA: 800-423-0150 • Fax: 864-834-3518 • www.tsbrass.com

This Space for Architect/Engineer Approval

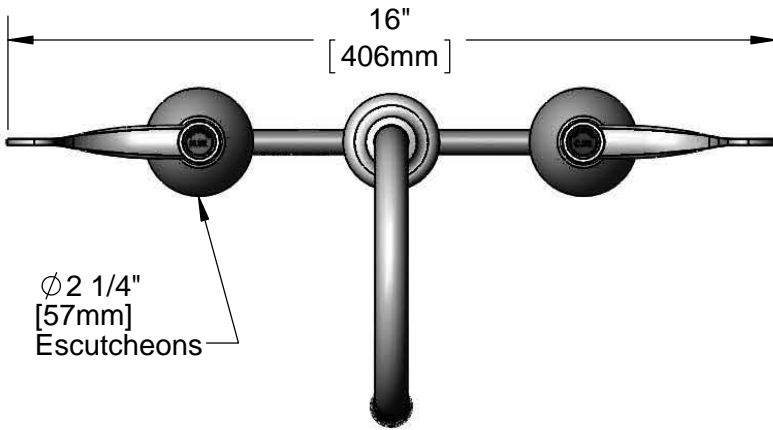
Job Name _____ Date _____

Model Specified _____ Quantity _____

Customer/Wholesaler _____

Contractor _____

Architect/Engineer _____



Ø 2 1/4"
[57mm]
Escutcheons



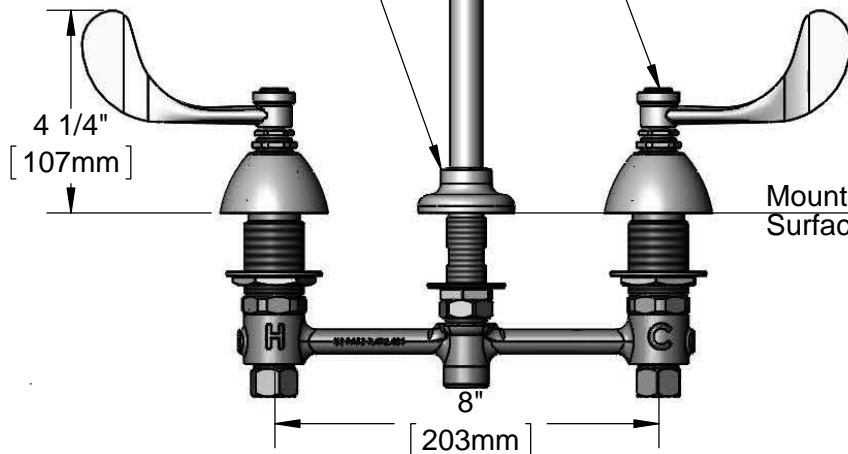
ADA Compliant



122X
Rigid Gooseneck
w/ Stream Regulator
Outlet

Eterna Cartridges &
4" Wrist Action Handles
w/ Color Coded Indexes

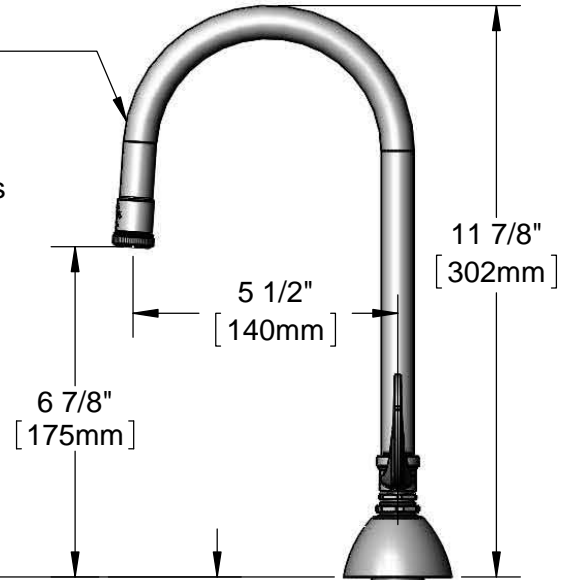
Ø 2"
[51mm]
Rigid Deck
Flange



4 1/4"
[107mm]

Mounting
Surface

8"
[203mm]



11 7/8"
[302mm]

5 1/2"
[140mm]

6 7/8"
[175mm]

1 1/4"
[32mm]
Maximum
Thickness

1/2" NPSM
Male Inlets w/
Coupling Nuts

Rough-In Requirement:
Center Shank: Ø 1" [25mm] Mounting Hole
Hot/Cold Sides: Ø 1 1/2" [38mm] Mounting Holes

Product Specifications:

EasyInstall 8" Concealed Widespread Mixing Faucet, 4" Wrist Action Handles, Eterna Cartridges & Rigid Gooseneck w/ Stream Regulator Outlet

Product Compliance:

ASME A112.18.1 / CSA B125.1
NSF 61 - Section 9
NSF 372 (Low Lead Content)
ANSI A117.1 (ADA)



T&S BRASS AND BRONZE WORKS, INC.

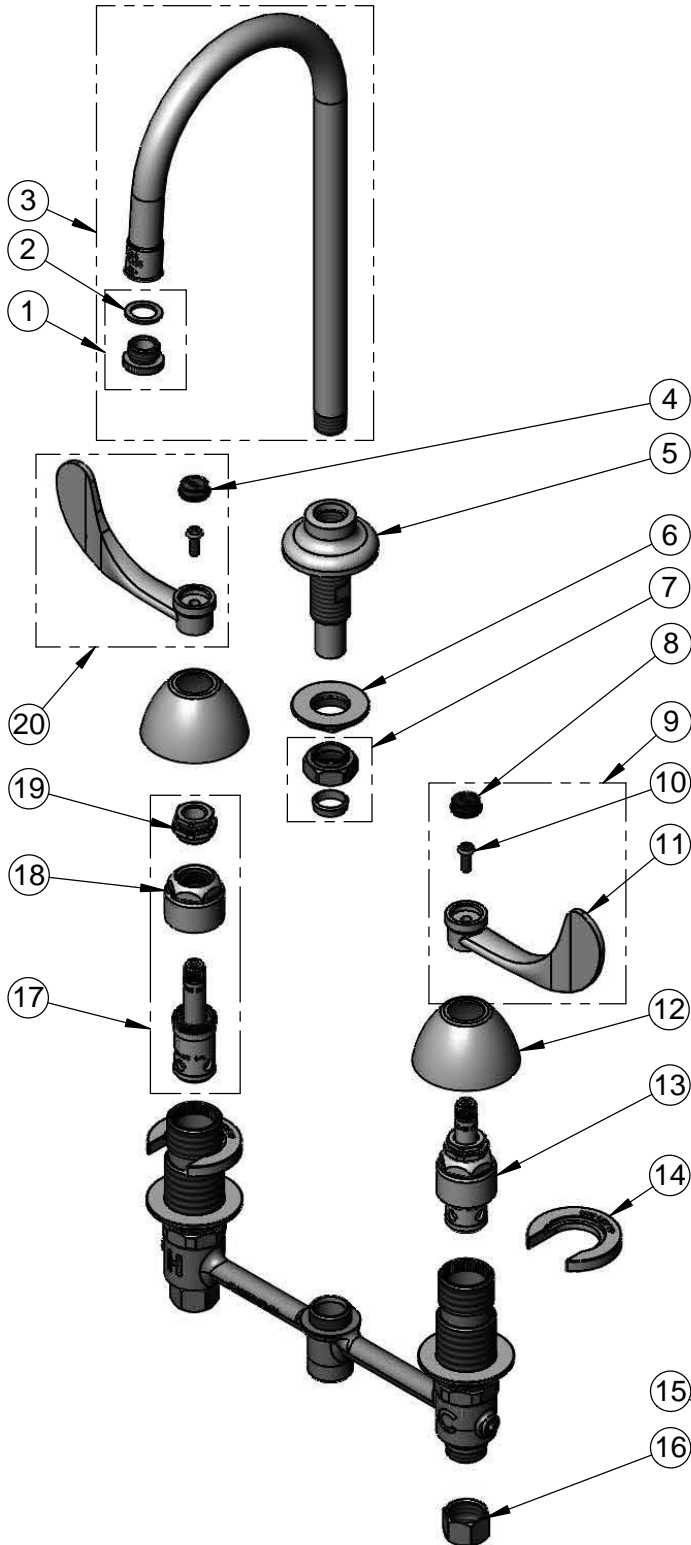
2 Saddleback Cove / P.O. Box 1088
Travelers Rest, SC 29690

Model No.

B-2865-04-122X

Item No.

Travelers Rest, SC: 800-476-4103 • Simi Valley, CA: 800-423-0150 • Fax: 864-834-3518 • www.tsbrass.com



ITEM NO.	SALES NO.	DESCRIPTION
1	B-LT	Stream Regulator Outlet
2	001043-45	Washer
3	122X	Rigid Gooseneck w/ Stream Regulator Outlet
4	001194-45	Red Index - HW
5	016847-40	EasyInstall CWS Rigid Center Shank
6	016742-45	Center Flange Nut
7	016745-45	Compression Nut & Fitting
8	001686-45	Blue Index - CW
9	B-WH4C	4" Wrist Action Handle, Screw & Cold Index
10	000925-45	Lab Handle Screw
11	B-WH4	4" Wrist Action Handle
12	001257-40	Bell Escutcheon
13	016752-40	EasyInstall CWS LTC Eterna (Teflon)
14	016749-45	Sidebody C-Washer
15	016777-45	CWS Hanger
16	000958-20	Coupling Nut
17	016753-40	EasyInstall CWS RTC Eterna (Teflon)
18	016743-25	CWS Eterna Bonnet
19	009002-25	Packing Nut
20	B-WH4H	4" Wrist Action Handle, Screw & Hot Index



017245-40
Installation Repair Kit
Includes #6, (2)#14, & #15

Product Specifications:

EasyInstall 8" Concealed Widespread Mixing Faucet, 4" Wrist Action Handles, Eterna Cartridges & Rigid Gooseneck w/ Stream Regulator Outlet

Product Compliance:

ASME A112.18.1 / CSA B125.1
NSF 61 - Section 9
NSF 372 (Low Lead Content)
ANSI A117.1 (ADA)