



T&S BRASS AND BRONZE WORKS, INC.
 2 Saddleback Cove / P.O. Box 1088
 Travelers Rest, SC 29690

Model No.
B-2865-04-WA

Item No.

Travelers Rest, SC: 800-476-4103 • Simi Valley, CA: 800-423-0150 • Fax: 864-834-3518 • www.tsbrass.com

This Space for Architect/Engineer Approval

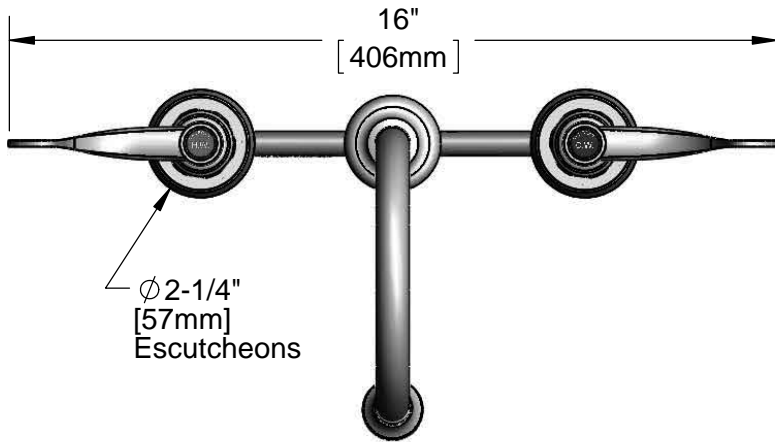
Job Name _____ Date _____

Model Specified _____ Quantity _____

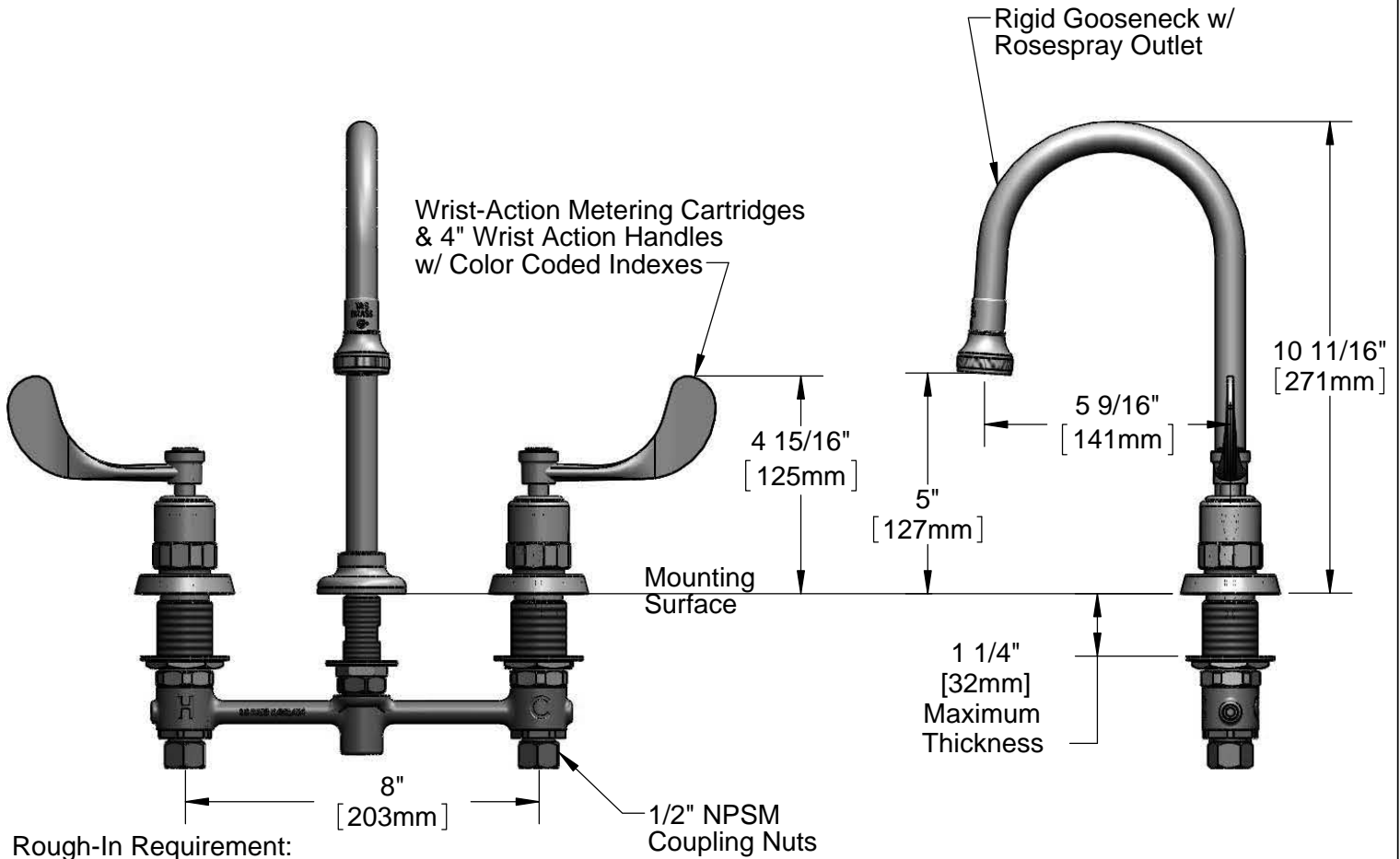
Customer/Wholesaler _____

Contractor _____

Architect/Engineer _____



ADA Compliant



Rough-In Requirement:
 ϕ 1" [25mm] for Center Shank
 ϕ 1-1/2" [38mm] for Hot/Cold Side

Product Specifications:
 EasyInstall Faucet w/ 4" Wrist Action Handles, Wrist-Action Metering Cartridges, 8" Inlet Centers, & Rigid Gooseneck w/ Rosespray Outlet

Drawn KJG	Checked JRM	Approved JHB
Scale: 1:4		Date: 09/20/12



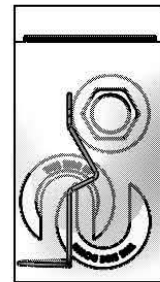
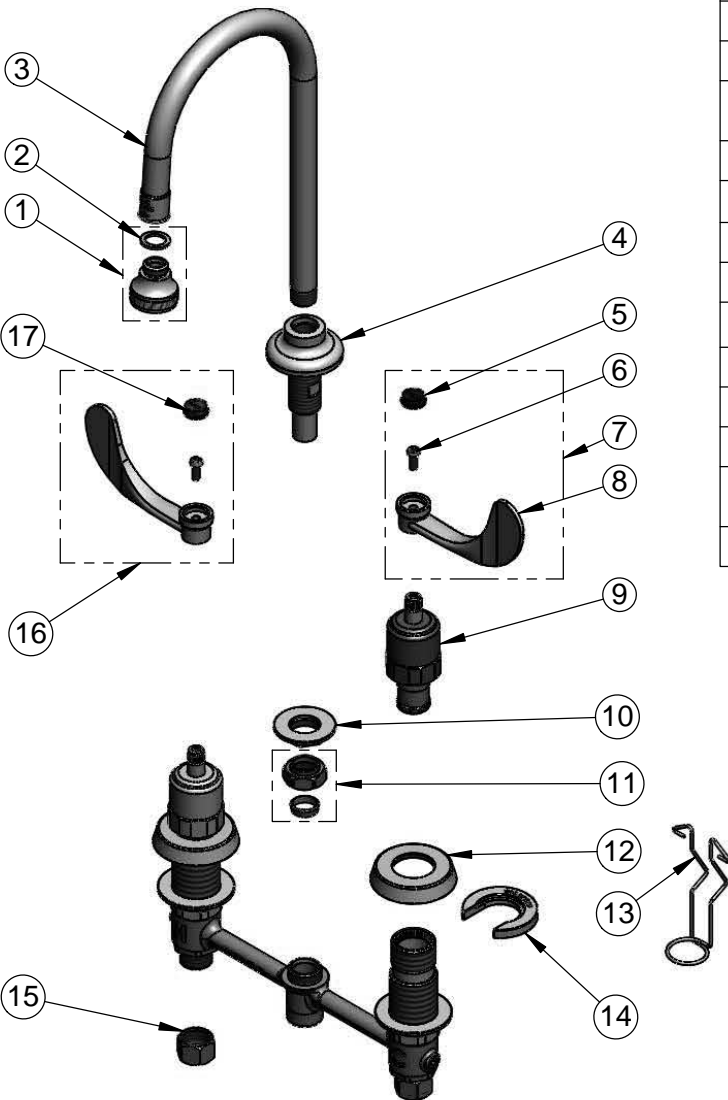
T&S BRASS AND BRONZE WORKS, INC.
 2 Saddleback Cove / P.O. Box 1088
 Travelers Rest, SC 29690

Model No.
B-2865-04-WA

Item No.

Travelers Rest, SC: 800-476-4103 • Simi Valley, CA: 800-423-0150 • Fax: 864-834-3518 • www.tsbrass.com

ITEM NO.	SALES NO.	DESCRIPTION
1	B-0103	Rosespray Outlet w/ Washer
2	001043-45	Washer
3	000398-40	Rigid Gooseneck
4	016847-40	EasyInstall CWS Rigid Center Shank
5	001686-45	Blue CW Index
6	000925-45	Lab Handle Screw </td
7	B-WH4C	4" Wrist Action Handle, Screw & Cold Index
8	B-WH4	4" Wrist Action Handle
9	012449-40	Wrist-Action Metering Cartridge
10	016742-45	Center Flange Nut
11	016745-45	Compression Nut & Fitting
12	017292-45	Metering CWS Escutcheon
13	016777-45	CWS Hanger
14	016749-45	Sidebody C-Washer
15	000958-20	Coupling Nut
16	B-WH4H	4" Wrist Action Handle, Screw & Hot Index
17	001194-45	Red HW Index



017245-40
 Installation Repair Kit
 Includes #10, (2) #14, #13

Product Specifications:
 EasyInstall Faucet w/ 4" Wrist Action Handles, Wrist-Action Metering Cartridges, 8" Inlet Centers, & Rigid Gooseneck w/ Rosespray Outlet

Drawn KJG	Checked JRM	Approved JHB
---------------------	-----------------------	------------------------

Scale: NTS	Date: 09/20/12
----------------------	--------------------------