



# T&S BRASS AND BRONZE WORKS, INC.

2 Saddleback Cove / P.O. Box 1088  
Travelers Rest, SC 29690

Model No.

**B-2865-05-0CS8**

Item No.

Travelers Rest, SC: 800-476-4103 • Simi Valley, CA: 800-423-0150 • Fax: 864-834-3518 • www.tsbrass.com



**ADA Compliant**

This Space for Architect/Engineer Approval

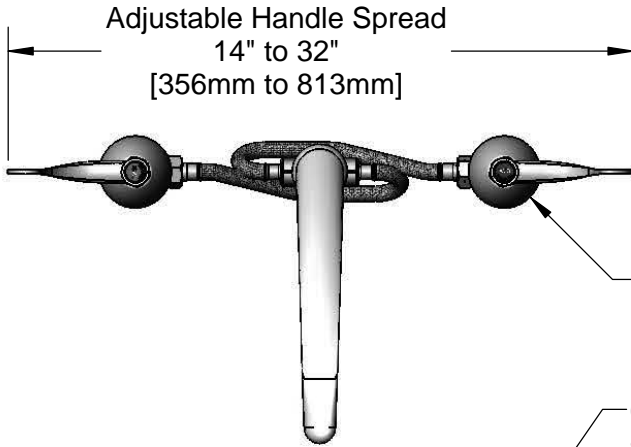
Job Name \_\_\_\_\_ Date \_\_\_\_\_

Model Specified \_\_\_\_\_ Quantity \_\_\_\_\_

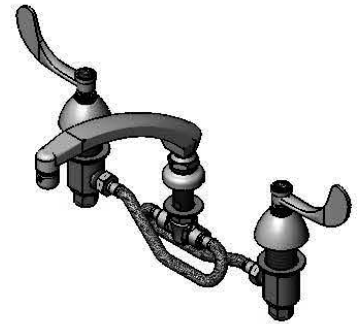
Customer/Wholesaler \_\_\_\_\_

Contractor \_\_\_\_\_

Architect/Engineer \_\_\_\_\_



Ø 2 1/4"  
[57mm]  
Escutcheons

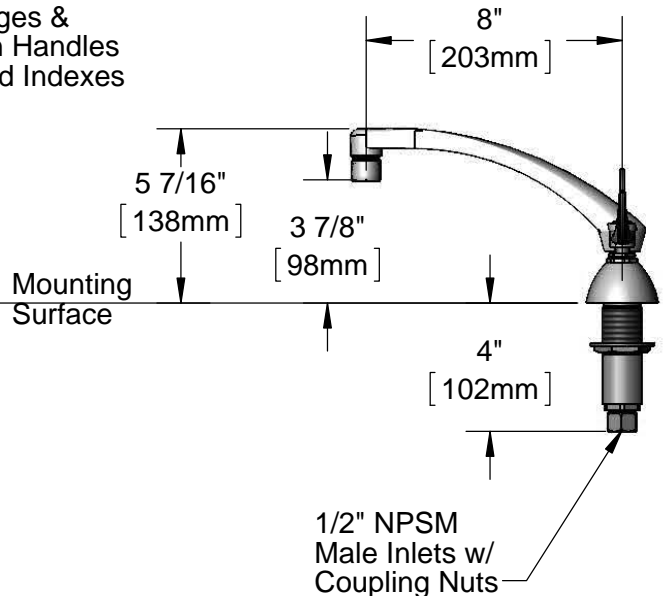
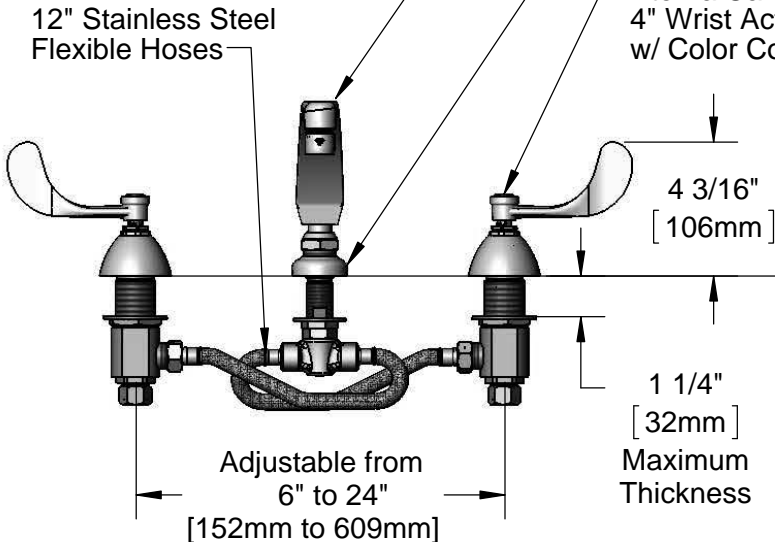


0CS8  
8" Swivel Cast Spout  
w/ 2.2 GPM Aerator.  
Rigid Conversion Requires  
014200-45 Lock washer (Included)

Ø 1 11/16"  
[43mm]  
Swivel Deck Flange

Eterna Cartridges &  
4" Wrist Action Handles  
w/ Color Coded Indexes

12" Stainless Steel  
Flexible Hoses



**Rough-In Requirement:**  
Center Shank: Ø 1" [25mm] Mounting Hole  
Hot/Cold Side Bodies: Ø 1 1/2" [38mm] Mounting Holes

**Product Specifications:**  
Deck Mount Commercial Faucet w/ 4" Wrist Action Handles, Eterna Cartridges, 8" Swivel Cast Spout w/ 2.2 Aerator & 12" Flexible Stainless Steel Inlet Hoses

Drawn <b>KJG</b>	Checked <b>DMH</b>	Approved <b>JHB</b>
Scale: <b>1:6</b>		Date: <b>05/24/13</b>

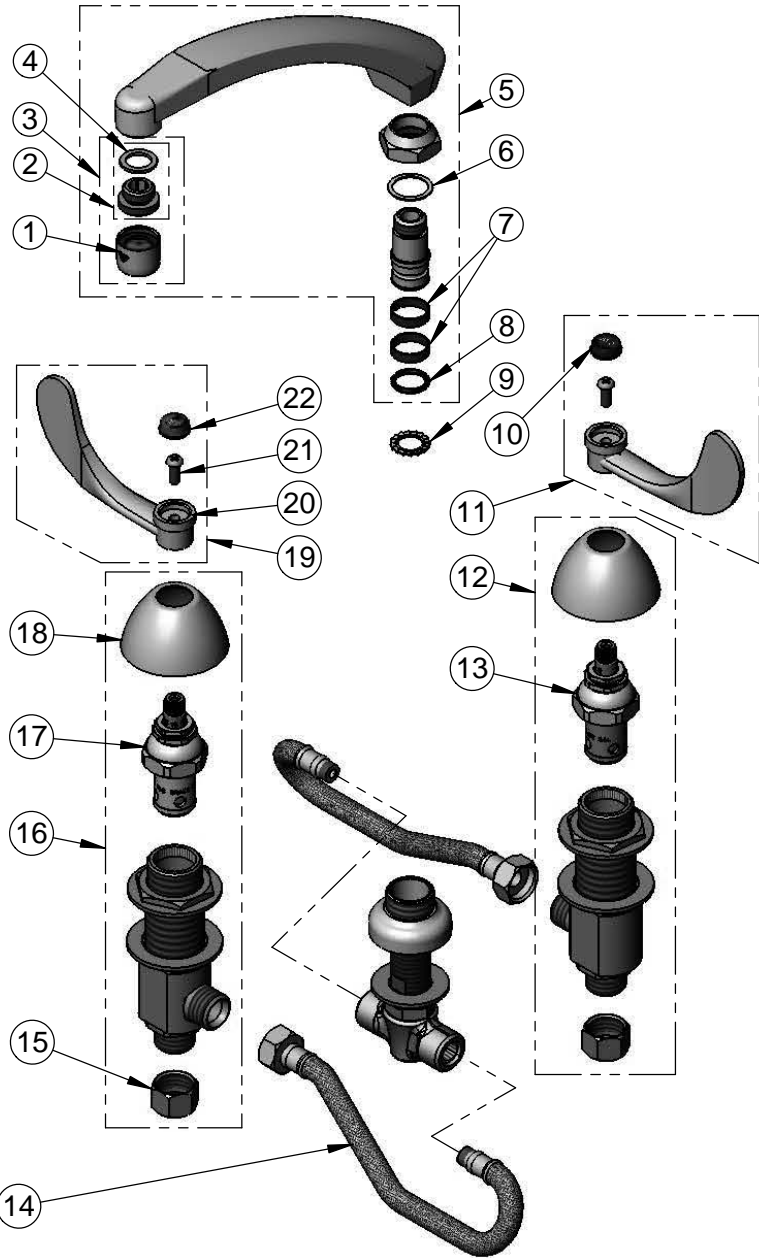


**T&S BRASS AND BRONZE WORKS, INC.**  
 2 Saddleback Cove / P.O. Box 1088  
 Travelers Rest, SC 29690

Model No.  
**B-2865-05-0CS8**

Item No.

Travelers Rest, SC: 800-476-4103 • Simi Valley, CA: 800-423-0150 • Fax: 864-834-3518 • www.tsbrass.com



ITEM NO.	SALES NO.	DESCRIPTION
1	B-0199-01	2.2 GPM Aerator, 55/64"-27 UN Female
2	044A	3/8" to Aerator Adapter
3	B-0199-02	2.2 GPM Aerator, 3/8" NPSM Male
4	001043-45	Washer
5	0CS8	8" Swivel Cast Spout w/ 2.2 GPM Aerator
6	009E	Plastic Washer
7	011429-45	Swivel Sleeves (2)
8	001074-45	O-Ring
9	014200-45	Star Washer, Anti-Rotation
10	001686-45	Blue CW Index
11	B-WH4C	4" Wrist Action Handle, Screw & Cold Index
12	161A	B-0850 Side Body, LTC
13	006477-40	Eterna Cartridge, LTC (Teflon) w/ Escutcheon Bonnet
14	011649-45	12" Stainless Steel Flex Hose
15	000958-20	Coupling Nut
16	162A	B-0850 Side Body, RTC
17	006478-40	Eterna Cartridge, RTC (Teflon) w/ Escutcheon Bonnet
18	001257-40	Bell Escutcheon
19	B-WH4H	4" Wrist Action Handle, Screw & Hot Index
20	B-WH4	4" Wrist Action Handle
21	000925-45	Lab Handle Screw
22	001194-45	Red HW Index

Product Specifications:  
 Deck Mount Commercial Faucet w/ 4" Wrist Action Handles, Eterna Cartridges, 8" Swivel Cast Spout w/ 2.2 Aerator & 12" Flexible Stainless Steel Inlet Hoses

Drawn <b>KJG</b>	Checked <b>DMH</b>	Approved <b>JHB</b>
Scale: <b>NTS</b>		Date: <b>05/24/13</b>