



T&S BRASS AND BRONZE WORKS, INC.

2 Saddleback Cove / P.O. Box 1088
Travelers Rest, SC 29690

Model No.

B-2865-05-XA-CR

Item No.

Travelers Rest, SC: 800-476-4103 • Simi Valley, CA: 800-423-0150 • Fax: 864-834-3518 • www.tsbrass.com



ADA Compliant

This Space for Architect/Engineer Approval

Job Name _____ Date _____

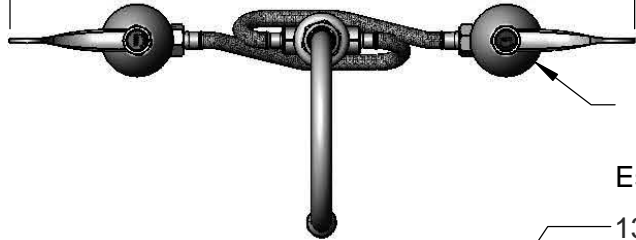
Model Specified _____ Quantity _____

Customer/Wholesaler _____

Contractor _____

Architect/Engineer _____

Adjustable Handle Spread
14" to 32"
[356mm to 813mm]



Ø 2 1/4"
[57mm]

Escutcheons

133X-AER
Swivel Gooseneck w/
2.2 GPM Aerator
Rigid Conversion Requires
014200-45 Lock Washer
(Included)

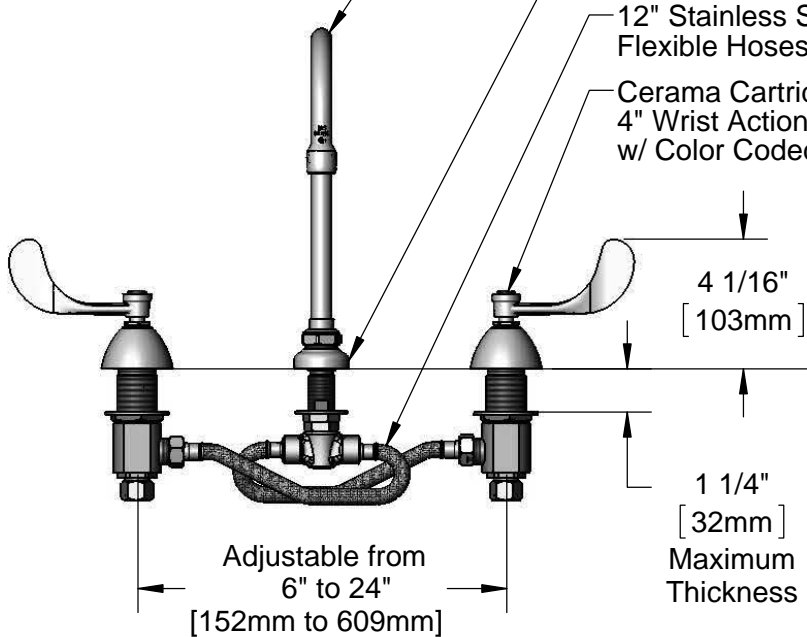


Ø 1 11/16"
[43mm]

Swivel Deck Flange

12" Stainless Steel
Flexible Hoses

Cerama Cartridges &
4" Wrist Action Handles
w/ Color Coded Indexes

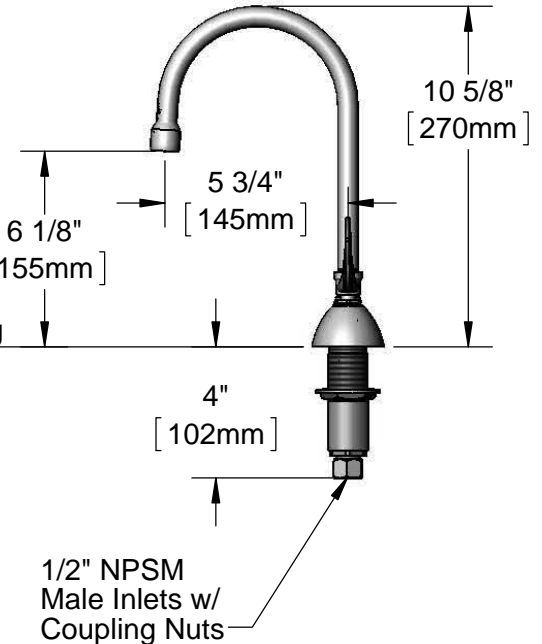


4 1/16"
[103mm]

Mounting
Surface

1 1/4"
[32mm]
Maximum
Thickness

Adjustable from
6" to 24"
[152mm to 609mm]



6 1/8"
[155mm]

5 3/4"
[145mm]

10 5/8"
[270mm]

4"
[102mm]

1/2" NPSM
Male Inlets w/
Coupling Nuts

Rough-In Requirement:
Center Shank: Ø 1" [25mm] Mounting Hole
Hot/Cold Side Bodies: Ø 1 1/2" [38mm] Mounting Holes

Product Specifications:
Deck Mount Commercial Faucet w/ 4" Wrist Action Handles,
Cerama Cartridges, Swivel Gooseneck w/ 2.2 Aerator, 12" Flexible
Connection Hoses, & 1/2" NPSM Male Inlets w/ Coupling Nuts

Drawn

KJG

Checked

JRM

Approved

JHB

Scale:

1:6

Date:

11/26/13

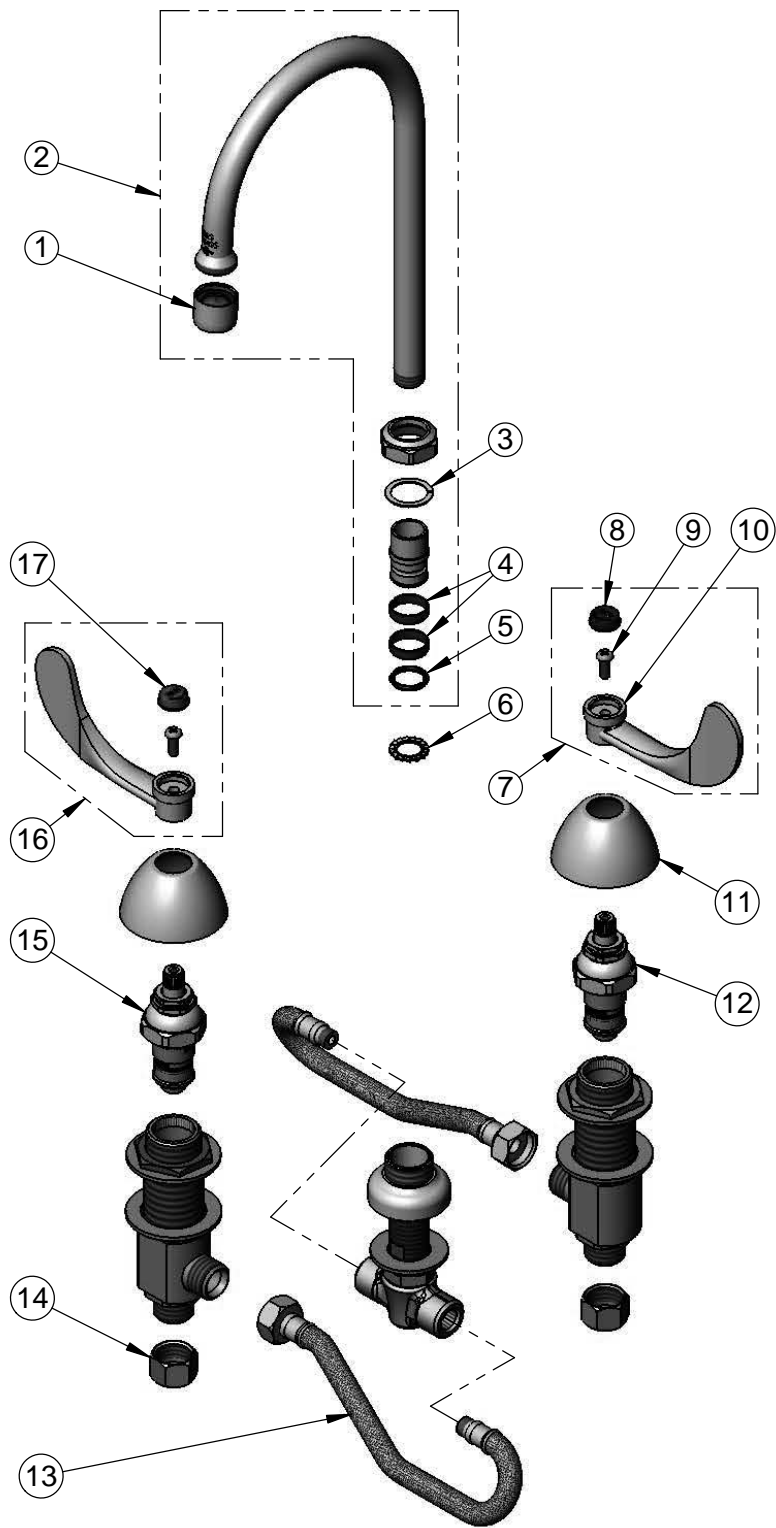


T&S BRASS AND BRONZE WORKS, INC.
 2 Saddleback Cove / P.O. Box 1088
 Travelers Rest, SC 29690

Model No.
B-2865-05-XA-CR

Item No.

Travelers Rest, SC: 800-476-4103 • Simi Valley, CA: 800-423-0150 • Fax: 864-834-3518 • www.tsbrass.com



ITEM NO.	SALES NO.	DESCRIPTION
1	B-0199-01	2.2 GPM Aerator, 55/64"-27 UN Female
2	133X-AER	6" Swivel Gooseneck w/ Aerator
3	009538-45	Swivel Washer
4	011429-45	Swivel Sleeves (2)
5	001074-45	O-Ring
6	014200-45	Star Washer, Anti-Rotation
7	B-WH4C	4" Wrist Action Handle, Screw & Cold Index
8	001686-45	Blue CW Index
9	000925-45	Lab Handle Screw
10	B-WH4	4" Wrist Action Handle
11	001257-40	Bell Escutcheon
12	011617-25	Cerama Cartridge, LTC w/ Escutcheon Bonnet
13	011649-45	12" Stainless Steel Flex Hose
14	000958-20	Coupling Nut
15	011616-25	Cerama Cartridge, RTC w/ Escutcheon Bonnet
16	B-WH4H	4" Wrist Action Handle, Screw & Hot Index
17	001194-45	Red HW Index

Product Specifications:

Deck Mount Commercial Faucet w/ 4" Wrist Action Handles, Cerama Cartridges, Swivel Gooseneck w/ 2.2 Aerator, 12" Flexible Connection Hoses, & 1/2" NPSM Male Inlets w/ Coupling Nuts

Drawn

KJG

Checked

JRM

Approved

JHB

Scale:

NTS

Date:

11/26/13