



# T&S BRASS AND BRONZE WORKS, INC.

2 Saddleback Cove / P.O. Box 1088  
Travelers Rest, SC 29690

Model No.  
**B-2865-05-XACRL**

Item No.

Travelers Rest, SC: 800-476-4103 • Simi Valley, CA: 800-423-0150 • Fax: 864-834-3518 • www.tsbrass.com



**ADA Compliant**

This Space for Architect/Engineer Approval

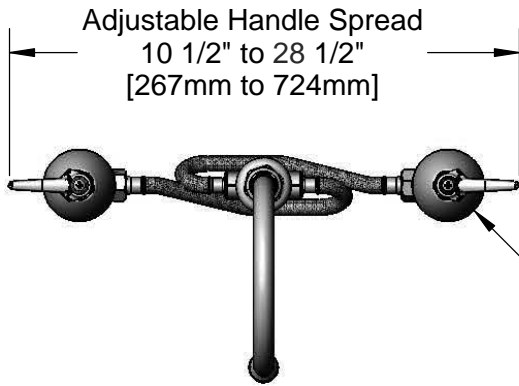
Job Name \_\_\_\_\_ Date \_\_\_\_\_

Model Specified \_\_\_\_\_ Quantity \_\_\_\_\_

Customer/Wholesaler \_\_\_\_\_

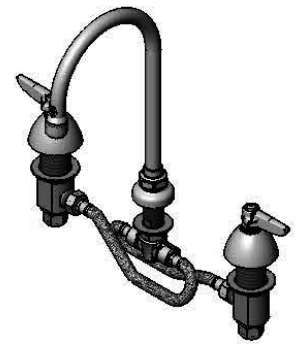
Contractor \_\_\_\_\_

Architect/Engineer \_\_\_\_\_

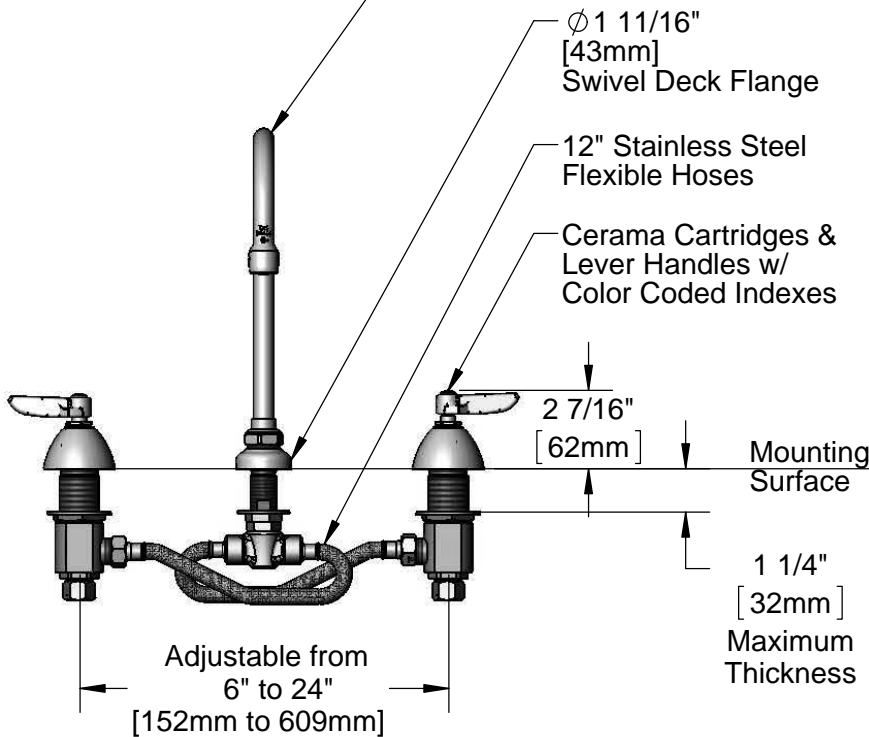


Adjustable Handle Spread  
10 1/2" to 28 1/2"  
[267mm to 724mm]

Ø2 1/4"  
[57mm]  
Escutcheons



133X-AER  
Swivel Gooseneck w/  
2.2 GPM Aerator  
Rigid Conversion Requires  
014200-45 Lock Washer  
(Included)



Ø1 11/16"  
[43mm]  
Swivel Deck Flange

12" Stainless Steel  
Flexible Hoses

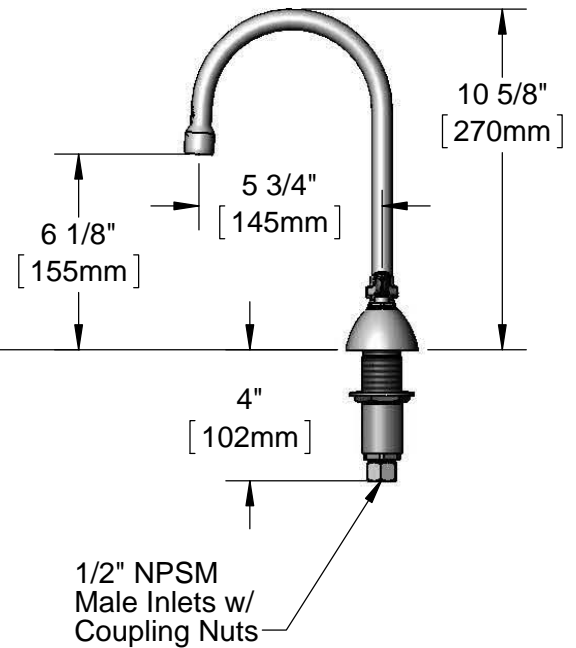
Cerama Cartridges &  
Lever Handles w/  
Color Coded Indexes

2 7/16"  
[62mm]

Mounting  
Surface

1 1/4"  
[32mm]  
Maximum  
Thickness

Adjustable from  
6" to 24"  
[152mm to 609mm]



6 1/8"  
[155mm]

5 3/4"  
[145mm]

10 5/8"  
[270mm]

4"  
[102mm]

1/2" NPSM  
Male Inlets w/  
Coupling Nuts

Rough-In Requirement:  
Center Shank: Ø1" [25mm] Mounting Hole  
Hot/Cold Side Bodies: Ø1 1/2" [38mm] Mounting Holes

Product Specifications:  
Deck Mount Commercial Faucet w/ Lever Handles, Cerama Cartridges,  
Swivel Gooseneck w/ 2.2 Aerator, 12" Flexible Connection Hoses,  
1/2" NPSM Male Inlets w/ Coupling Nuts

Drawn <b>KJG</b>	Checked <b>JRM</b>	Approved <b>JHB</b>
Scale: <b>1:6</b>		Date: <b>11/26/13</b>

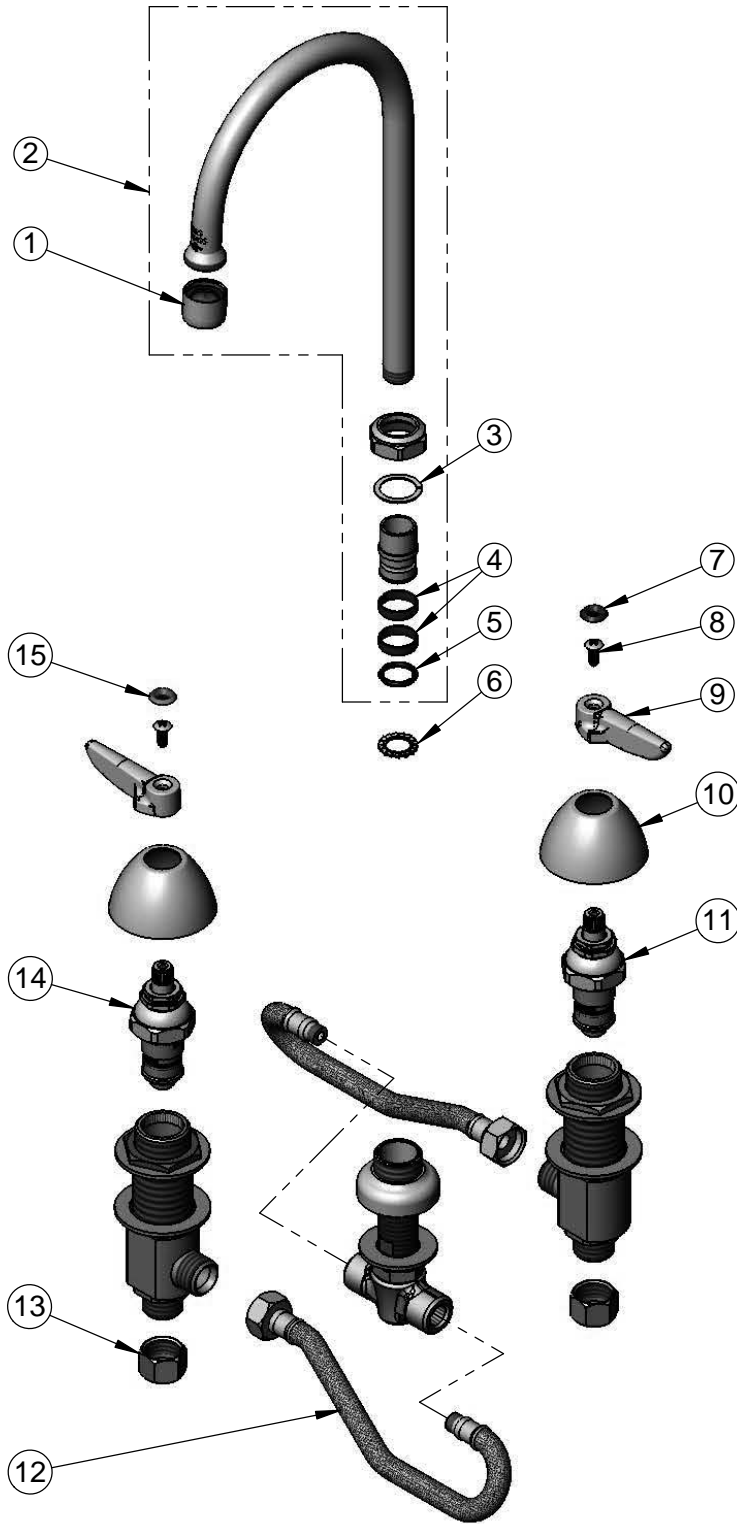


**T&S BRASS AND BRONZE WORKS, INC.**  
 2 Saddleback Cove / P.O. Box 1088  
 Travelers Rest, SC 29690

Model No.  
**B-2865-05-XACRL**

Item No.

Travelers Rest, SC: 800-476-4103 • Simi Valley, CA: 800-423-0150 • Fax: 864-834-3518 • www.tsbrass.com



ITEM NO.	SALES NO.	DESCRIPTION
1	B-0199-01	2.2 GPM Aerator, 55/64"-27 UN Female
2	133X-AER	6" Swivel Gooseneck w/ Aerator
3	009538-45	Swivel Washer
4	011429-45	Swivel Sleeves (2)
5	001074-45	O-Ring
6	014200-45	Star Washer, Anti-Rotation
7	001660-45	Blue Index-CW
8	000922-45	Lever Handle Screw
9	001638-45	Lever Handle
10	001257-40	Bell Escutcheon
11	011617-25	Cerama Cartridge, LTC w/ Escutcheon Bonnet
12	011649-45	12" Stainless Steel Flex Hose
13	000958-20	Coupling Nut
14	011616-25	Cerama Cartridge, RTC w/ Escutcheon Bonnet
15	001661-45	Red Index-HW

Product Specifications:

Deck Mount Commercial Faucet w/ Lever Handles, Cerama Cartridges, Swivel Gooseneck w/ 2.2 Aerator, 12" Flexible Connection Hoses, 1/2" NPSM Male Inlets w/ Coupling Nuts

Drawn <b>KJG</b>	Checked <b>JRM</b>	Approved <b>JHB</b>
Scale: <b>NTS</b>		Date: <b>11/26/13</b>