



**T&S BRASS AND BRONZE WORKS, INC.**  
 2 Saddleback Cove / P.O. Box 1088  
 Travelers Rest, SC 29690

Model No.  
**B-2865-05**

Item No.

Travelers Rest, SC: 800-476-4103 • Simi Valley, CA: 800-423-0150 • Fax: 864-834-3518 • www.tsbrass.com



**ADA Compliant**

This Space for Architect/Engineer Approval

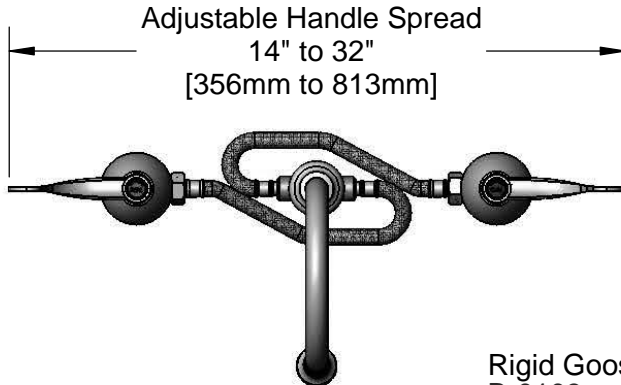
Job Name \_\_\_\_\_ Date \_\_\_\_\_

Model Specified \_\_\_\_\_ Quantity \_\_\_\_\_

Customer/Wholesaler \_\_\_\_\_

Contractor \_\_\_\_\_

Architect/Engineer \_\_\_\_\_



Ø 1 11/16"  
 [43mm]  
 Rigid Deck  
 Flange

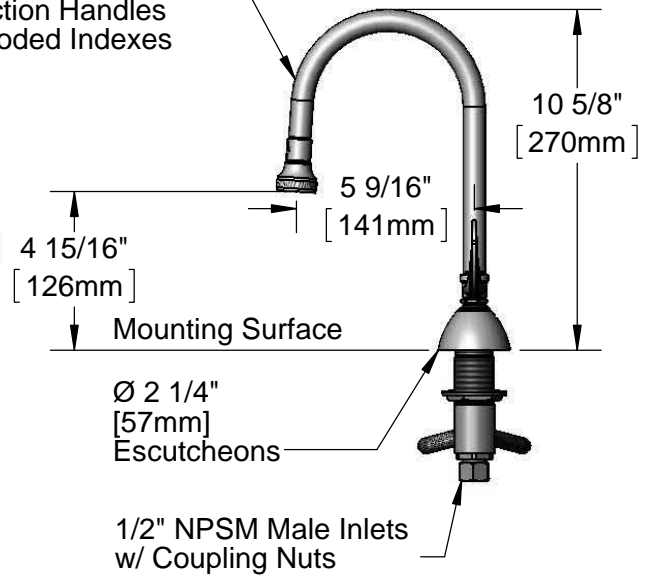
12" Flexible Stainless  
 Steel Hoses

Eterna Cartridges &  
 4" Wrist Action Handles  
 w/ Color Coded Indexes

4 1/16"  
 [104mm]

1 1/4"  
 [32mm]  
 Maximum  
 Thickness

Adjustable Inlet  
 6" to 24"  
 [152mm to 609mm]



**Rough-In Requirement:**  
 Center Shank: Ø 1" [25mm] Mounting Hole  
 Hot/Cold Bodies: Ø 1 1/2" [38mm] Mounting Holes

**Product Specifications:**  
 Adjustable Deck Mount Mixing Faucet, Eterna Cartridges, 4" Wrist Action  
 Handles, Rigid Gooseneck, Rosespray Outlet & 1/2" NPSM Male Inlets

**Product Compliance:**  
 ASME A112.18.1 / CSA B125.1  
 NSF 61 - Section 9  
 NSF 372 (Low Lead Content)  
 ANSI A117.1 (ADA)

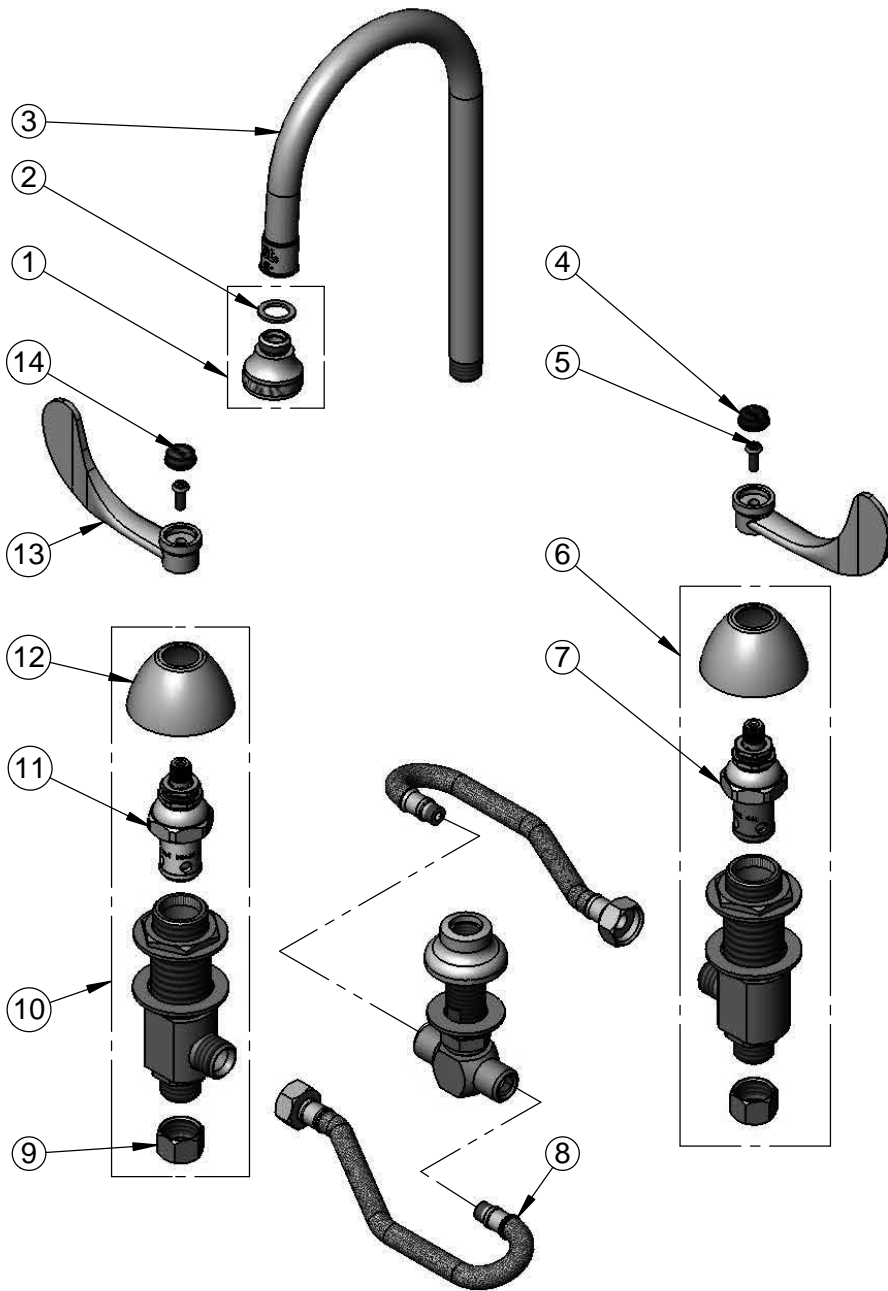


**T&S BRASS AND BRONZE WORKS, INC.**  
 2 Saddleback Cove / P.O. Box 1088  
 Travelers Rest, SC 29690

Model No.  
**B-2865-05**

Item No.

Travelers Rest, SC: 800-476-4103 • Simi Valley, CA: 800-423-0150 • Fax: 864-834-3518 • www.tsbrass.com



ITEM NO.	SALES NO.	DESCRIPTION
1	B-0103	Rosespray Outlet, 3/8" NPSM Male
2	001043-45	Washer
3	000398-40	Rigid Gooseneck
4	001686-45	Blue Index-CW
5	000925-45	Lab Handle Screw
6	161A	Side Body, LTC
7	006477-40	Eterna Cartridge, LTC (Teflon) w/ Escutcheon Bonnet
8	011649-45	12" Flexible Stainless Steel Hose (2)
9	000958-20	Coupling Nut
10	162A	Side Body, RTC
11	006478-40	Eterna Cartridge, RTC (Teflon) w/ Escutcheon Bonnet
12	001257-40	Bell Escutcheon
13	B-WH4	4" Wrist Action Handle
14	001194-45	Red Index-HW

**Product Specifications:**

Adjustable Deck Mount Mixing Faucet, Eterna Cartridges, 4" Wrist Action Handles, Rigid Gooseneck, Rosespray Outlet & 1/2" NPSM Male Inlets

**Product Compliance:**

ASME A112.18.1 / CSA B125.1  
 NSF 61 - Section 9  
 NSF 372 (Low Lead Content)  
 ANSI A117.1 (ADA)