



# T&S BRASS AND BRONZE WORKS, INC.

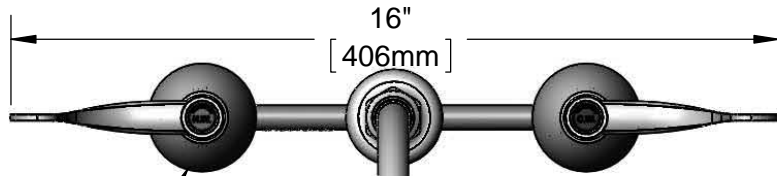
2 Saddleback Cove / P.O. Box 1088  
Travelers Rest, SC 29690

Model No.

**B-2866-01QT-VRF**

Item No.

Travelers Rest, SC: 800-476-4103 • Simi Valley, CA: 800-423-0150 • Fax: 864-834-3518 • www.tsbrass.com



Ø 2-1/4" [57mm]  
Escutcheons



**ADA Compliant**

This Space for Architect/Engineer Approval

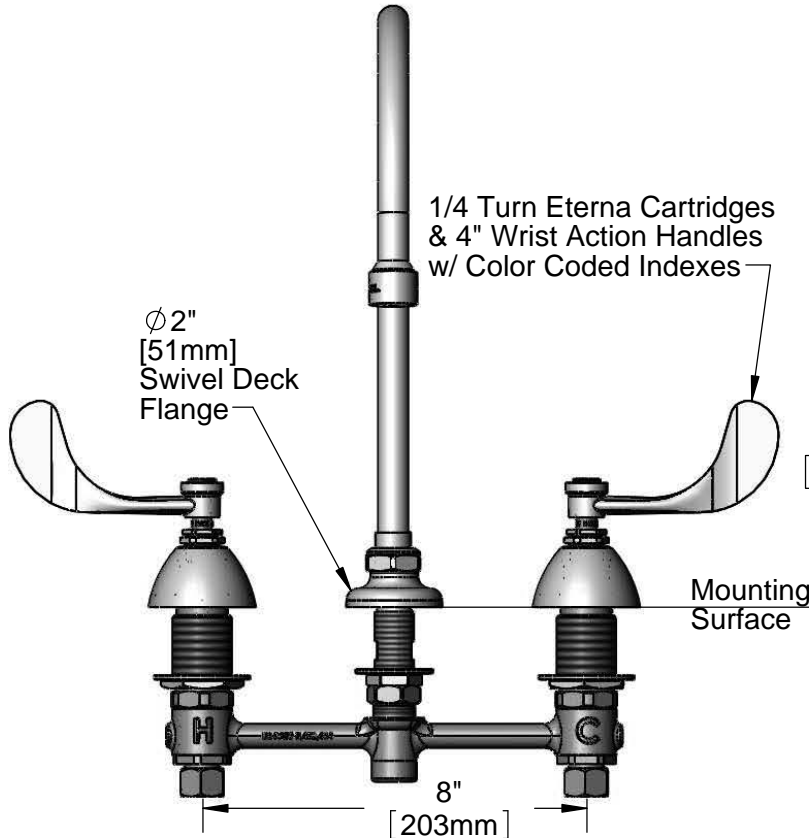
Job Name \_\_\_\_\_ Date \_\_\_\_\_

Model Specified \_\_\_\_\_ Quantity \_\_\_\_\_

Customer/Wholesaler \_\_\_\_\_

Contractor \_\_\_\_\_

Architect/Engineer \_\_\_\_\_



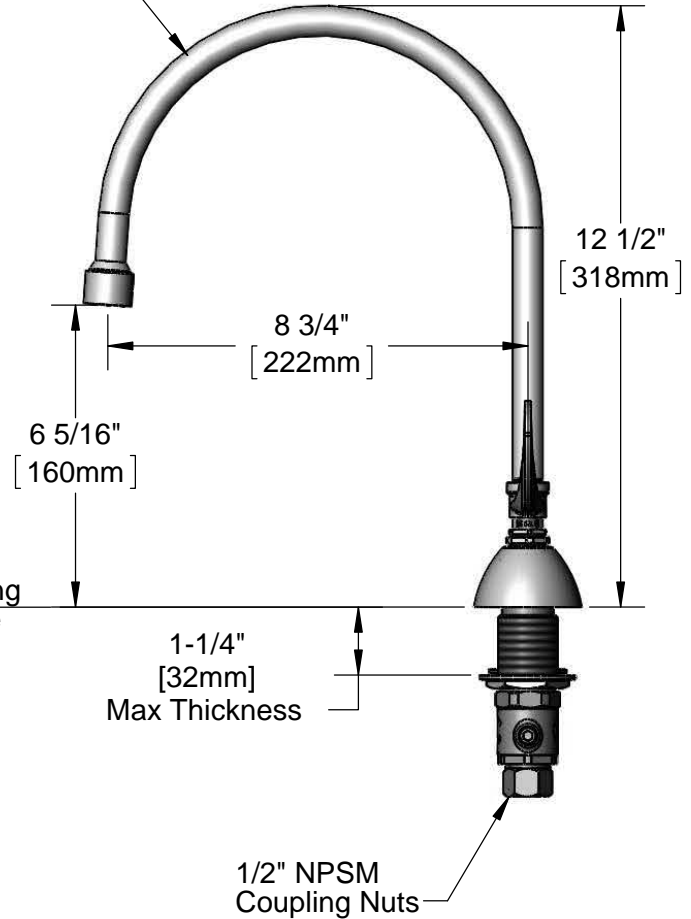
1/4 Turn Eterna Cartridges  
& 4" Wrist Action Handles  
w/ Color Coded Indexes

Ø 2" [51mm]  
Swivel Deck  
Flange

Mounting  
Surface

8" [203mm]

Swivel Gooseneck w/  
B-0199-21-VRF  
2.2 GPM Vandal Resistant Laminar Flow  
Device (Optional Swivel/Rigid Washer  
Included)



12 1/2" [318mm]

8 3/4" [222mm]

6 5/16" [160mm]

1-1/4" [32mm]  
Max Thickness

1/2" NPSM  
Coupling Nuts

Rough-In Requirement:  
Ø 1" [25mm] for Center Shank  
Ø 1-1/2" [38mm] for Hot/Cold Side

Product Specifications:  
EasyInstall Faucet w/ 4" Wrist Action Handles, 1/4 Turn Eterna  
Cartridges, 8" Inlet Centers & Swivel Gooseneck w/ Vandal Resistant  
Laminar Flow Device

Drawn <b>JRM</b>	Checked <b>DMH</b>	Approved <b>JHB</b>
Scale: <b>1:4</b>		Date: <b>06/21/12</b>



# T&S BRASS AND BRONZE WORKS, INC.

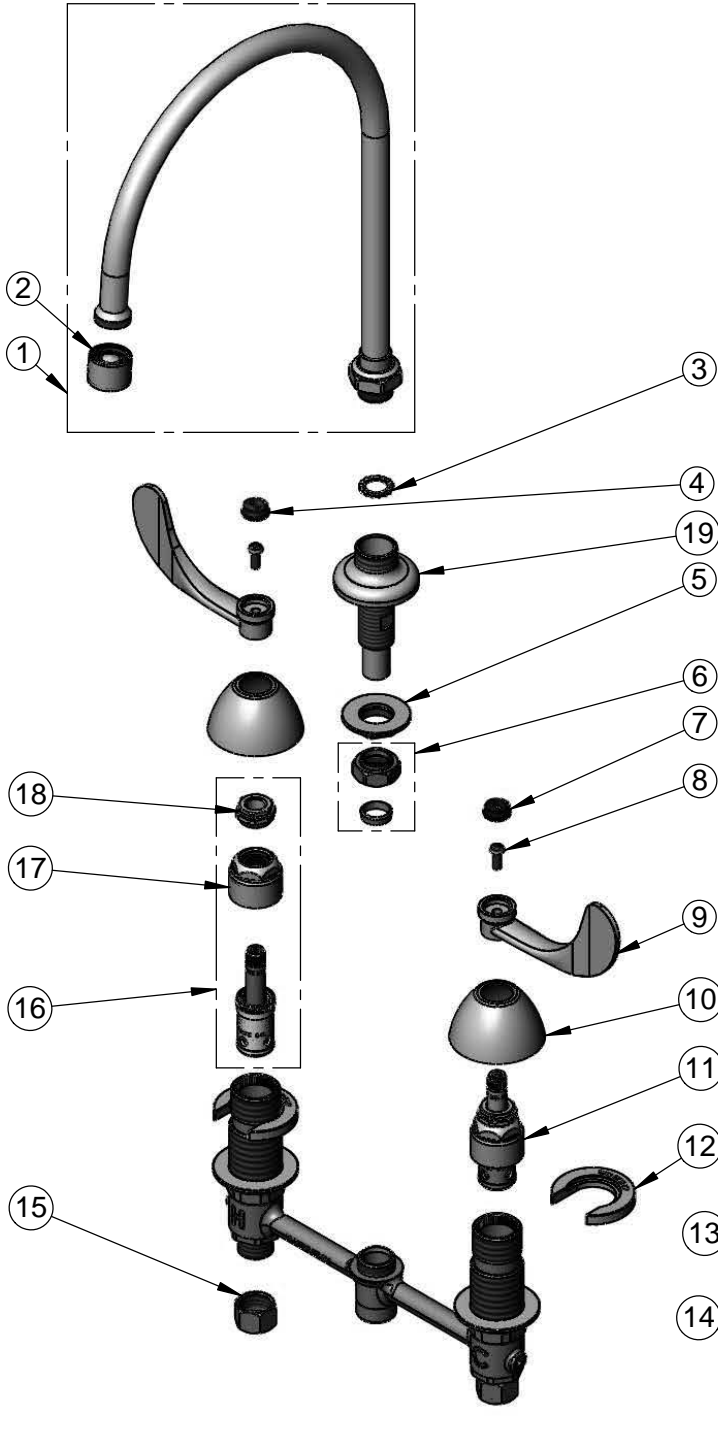
2 Saddleback Cove / P.O. Box 1088  
Travelers Rest, SC 29690

Model No.

**B-2866-01QT-VRF**

Item No.

Travelers Rest, SC: 800-476-4103 • Simi Valley, CA: 800-423-0150 • Fax: 864-834-3518 • www.tsbrass.com



ITEM NO.	SALES NO.	DESCRIPTION
1	135X-LAM-VR	Swivel Gooseneck w/ Laminar Flow Device
2	B-0199-21-VRF	VR Laminar Flow Device
3	014200-45	Star Washer, Anti-Rotation
4	001194-45	Red HW Index
5	016742-45	Center Flange Nut
6	016745-45	Compression Nut & Fitting
7	001686-45	Blue CW Index
8	000925-45	Lab Handle Screw
9	B-WH4	4" Wrist Action Handle
10	001257-40	Bell Escutcheon
11	016925-40	EasyInstall 1/4 Turn LTC Eterna (Teflon)
12	016749-45	Sidebody C-Washer
13	015425-45	Vandal Resistant Key
14	016777-45	CWS Hanger
15	000958-20	Coupling Nut
16	016926-40	EasyInstall 1/4 Turn RTC Eterna (Teflon)
17	016743-25	CWS Bonnet Assembly
18	009002-25	Packing Nut Assembly
19	016754-40	EasyInstall CWS Swivel Center Shank



017245-40  
Installation Repair Kit  
Includes #5, (2)#12, & #14

**Product Specifications:**

EasyInstall Faucet w/ 4" Wrist Action Handles, 1/4 Turn Eterna Cartridges, 8" Inlet Centers & Swivel Gooseneck w/ Vandal Resistant Laminar Flow Device

Drawn <b>JRM</b>	Checked <b>DMH</b>	Approved <b>JHB</b>
Scale: <b>NTS</b>		Date: <b>06/21/12</b>