

**T&S BRASS AND BRONZE WORKS, INC.**

2 Saddleback Cove / P.O. Box 1088  
Travelers Rest, SC 29690

Model No.

**B-2866-04-01QT**

Item No.

Travelers Rest, SC: 800-476-4103 • Simi Valley, CA: 800-423-0150 • Fax: 864-834-3518 • www.tsbrass.com

This Space for Architect/Engineer Approval

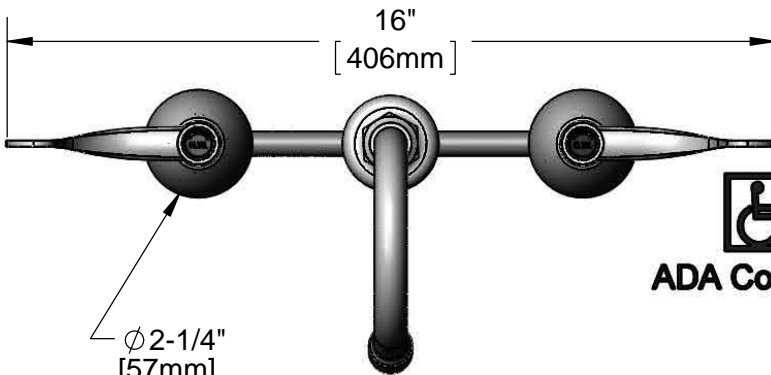
Job Name \_\_\_\_\_ Date \_\_\_\_\_

Model Specified \_\_\_\_\_ Quantity \_\_\_\_\_

Customer/Wholesaler \_\_\_\_\_

Contractor \_\_\_\_\_

Architect/Engineer \_\_\_\_\_

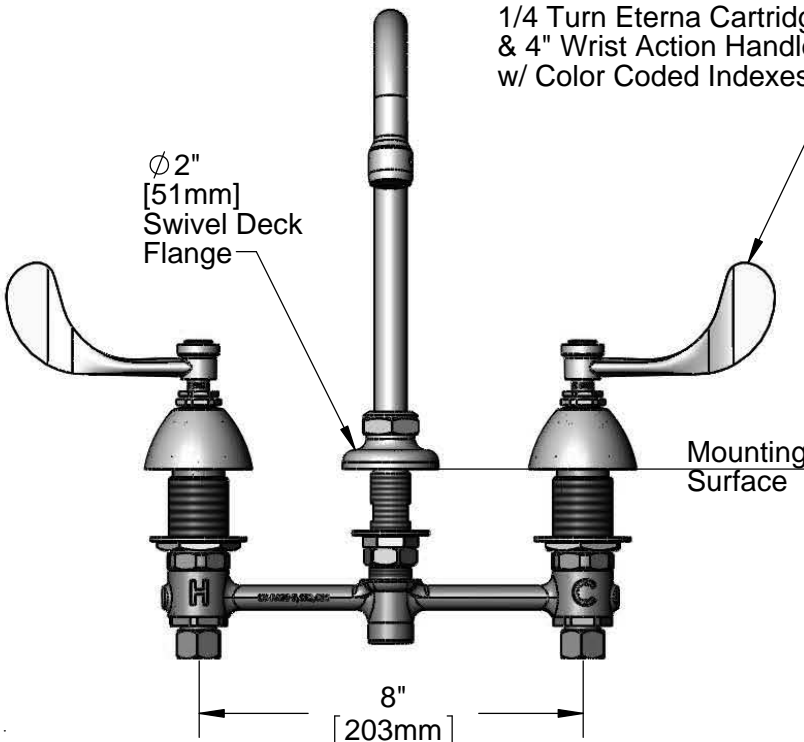


**ADA Compliant**

Ø2-1/4"  
[57mm]  
Escutcheons

017907-40  
Swivel Gooseneck  
w/ 2.2 GPM Aerator  
(Optional Swivel/Rigid  
Washer Included)

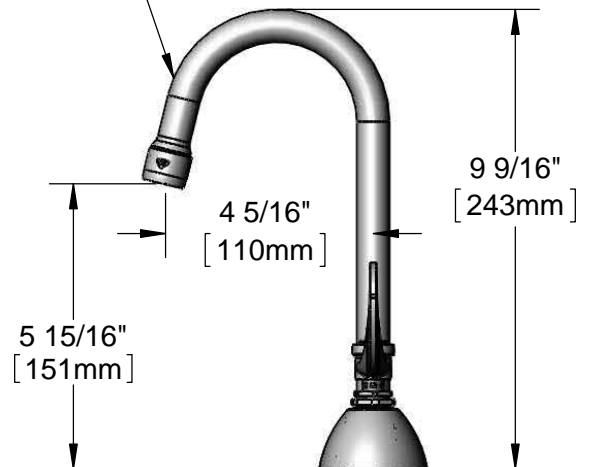
1/4 Turn Eterna Cartridges  
& 4" Wrist Action Handles  
w/ Color Coded Indexes



Ø2"  
[51mm]  
Swivel Deck  
Flange

Mounting  
Surface

8"  
[203mm]



5 15/16"  
[151mm]

4 5/16"  
[110mm]

9 9/16"  
[243mm]

1-1/4"  
[32mm]  
Max Thickness

1/2" NPSM  
Coupling Nuts

**Rough-In Requirement:**

Ø1" [25mm] for Center Shank

Ø1-1/2" [38mm] for Hot/Cold Side

**Product Specifications:**

EasyInstall Faucet w/ 1/4 Turn Eterna Cartridges, 4" Wrist Action Handles, 8" Inlet Centers & Swivel Gooseneck w/ 2.2 GPM Aerator

Drawn

**JRM**

Checked

**DMH**

Approved

**JHB**

Scale:

**1:4**

Date:

**06/21/12**



# T&S BRASS AND BRONZE WORKS, INC.

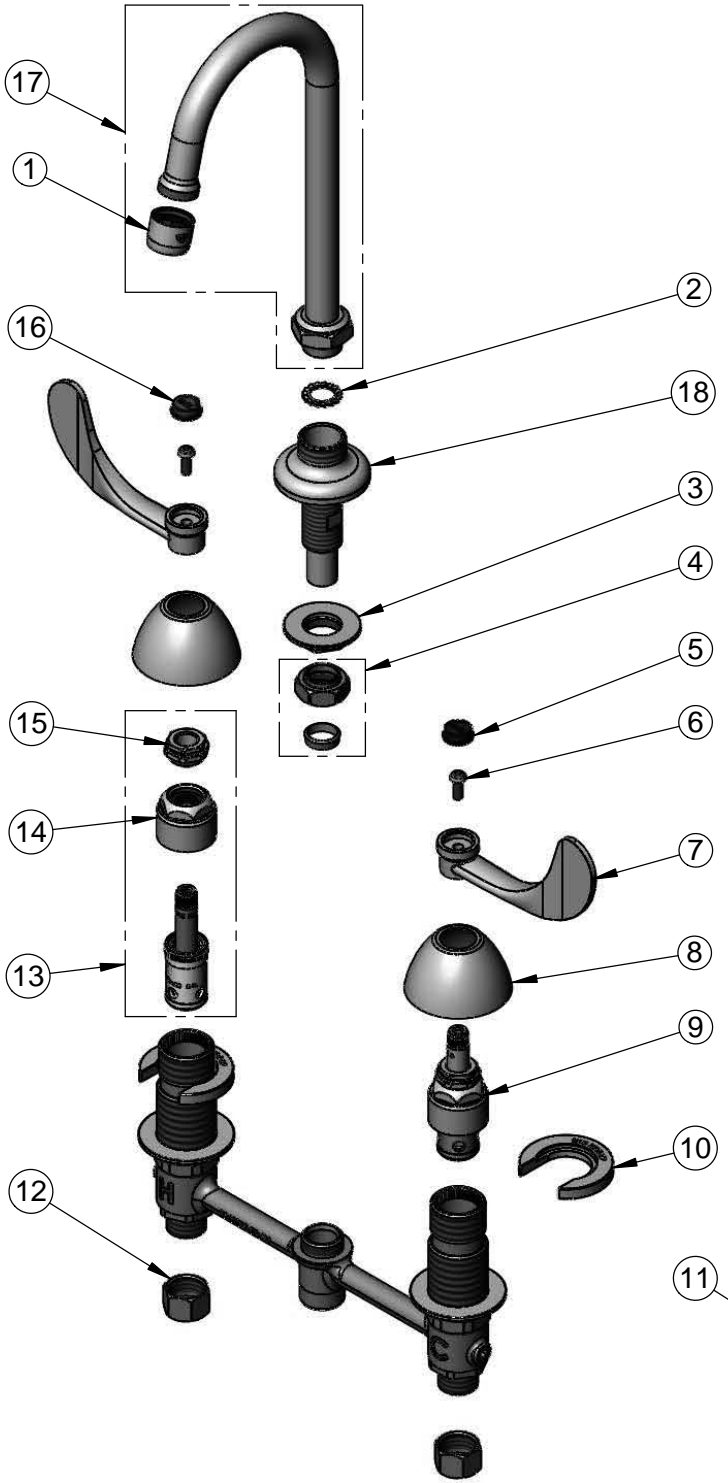
2 Saddleback Cove / P.O. Box 1088  
Travelers Rest, SC 29690

Model No.

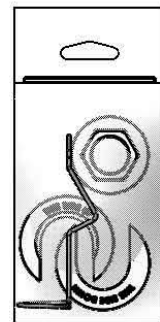
**B-2866-04-01QT**

Item No.

Travelers Rest, SC: 800-476-4103 Simi Valley, CA: 800-423-0150 Fax: 864-834-3518 www.tsbrass.com



ITEM NO.	SALES NO.	DESCRIPTION
1	B-0199-01	2.2 GPM Aerator, Female
2	014200-45	Star Washer, Anti-Rotation
3	016742-45	Center Flange Nut
4	016745-45	Compression Nut & Fitting
5	001686-45	Blue CW Index
6	000925-45	Lab Handle Screw
7	B-WH4	4" Wrist Action Handle
8	001257-40	Bell Escutcheon
9	016925-40	1/4 Turn Eterna LTC (Teflon)
10	016749-45	Sidebody C-Washer
11	016777-45	CWS Hanger
12	000958-20	Coupling Nut
13	016926-40	B-1100 Seat Washer Screw
14	016743-25	CWS Bonnet Assembly
15	009002-25	Packing Nut Assembly
16	001194-45	Red HW Index
17	017907-40	Swivel Gooseneck Assembly
18	016754-40	EasyInstall CWS Swivel Center Shank



017245-40  
Installation Repair Kit  
Includes #3, (2)#10, & #11

Product Specifications:

EasyInstall Faucet w/ 1/4 Turn Eterna Cartridges, 4" Wrist Action Handles, 8" Inlet Centers & Swivel Gooseneck w/ 2.2 GPM Aerator

Drawn <b>JRM</b>	Checked <b>DMH</b>	Approved <b>JHB</b>
Scale: <b>NTS</b>		Date: <b>06/21/12</b>