



T&S BRASS AND BRONZE WORKS, INC.

2 Saddleback Cove / P.O. Box 1088
Travelers Rest, SC 29690

Model No.

B-2866-05-LF15

Item No.

Travelers Rest, SC: 800-476-4103 • Simi Valley, CA: 800-423-0150 • Fax: 864-834-3518 • www.tsbrass.com

This Space for Architect/Engineer Approval

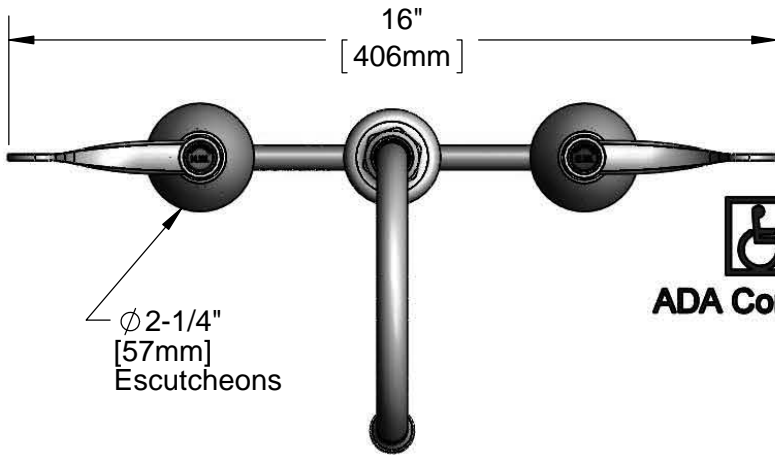
Job Name _____ Date _____

Model Specified _____ Quantity _____

Customer/Wholesaler _____

Contractor _____

Architect/Engineer _____

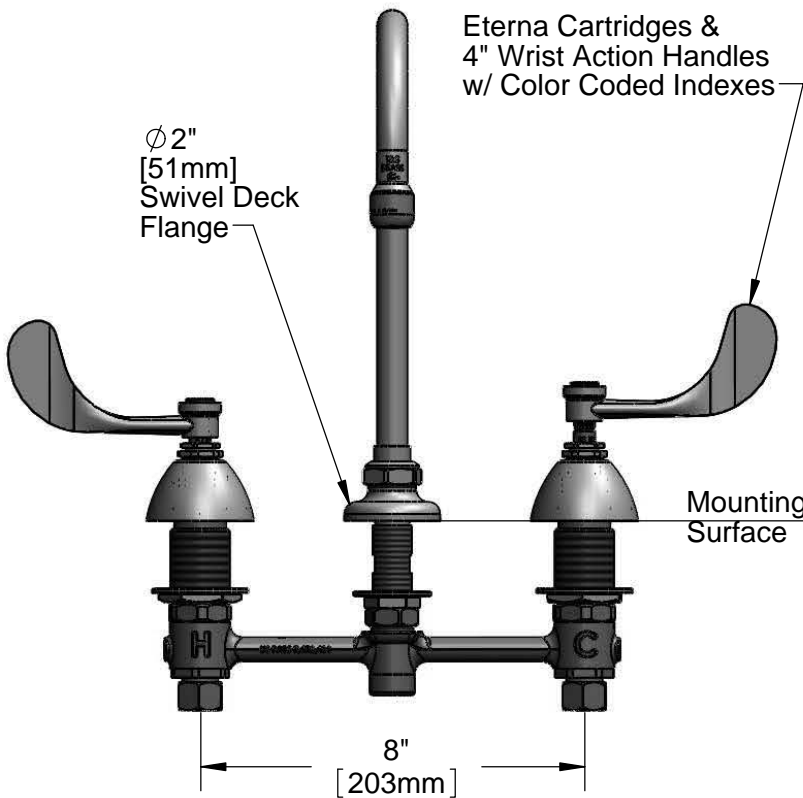


Ø 2-1/4" [57mm] Escutcheons



ADA Compliant

Swivel Gooseneck w/ B-0199-29 1.5 GPM Laminar Flow Device (Optional Swivel/Rigid Washer Included)

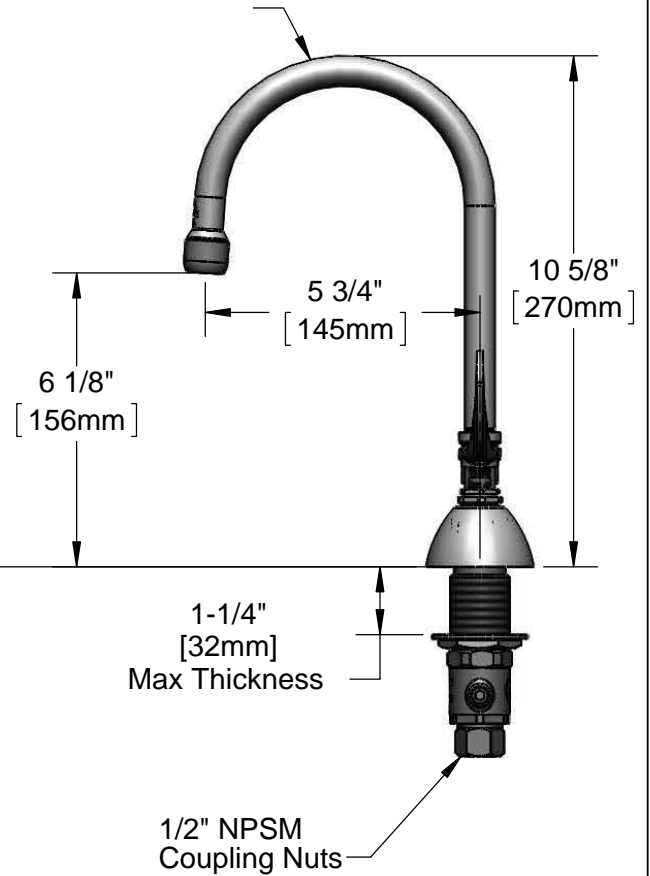


Ø 2" [51mm] Swivel Deck Flange

Eterna Cartridges & 4" Wrist Action Handles w/ Color Coded Indexes

Mounting Surface

8" [203mm]



6 1/8" [156mm]

5 3/4" [145mm]

10 5/8" [270mm]

1-1/4" [32mm] Max Thickness

1/2" NPSM Coupling Nuts

Rough-In Requirement:
Ø 1" [25mm] for Center Shank
Ø 1-1/2" [38mm] for Hot/Cold Side

Product Specifications:
EasyInstall Faucet w/ 4" Wrist Action Handles, Eterna Cartridges, 8" Inlet Centers & Swivel Gooseneck w/ 1.5 GPM Laminar Flow Device

Drawn JRM	Checked DMH	Approved JHB
Scale: 1:4		Date: 06/21/12



T&S BRASS AND BRONZE WORKS, INC.

2 Saddleback Cove / P.O. Box 1088

Travelers Rest, SC 29690

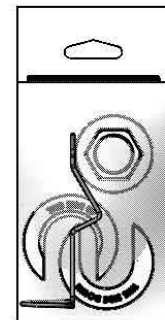
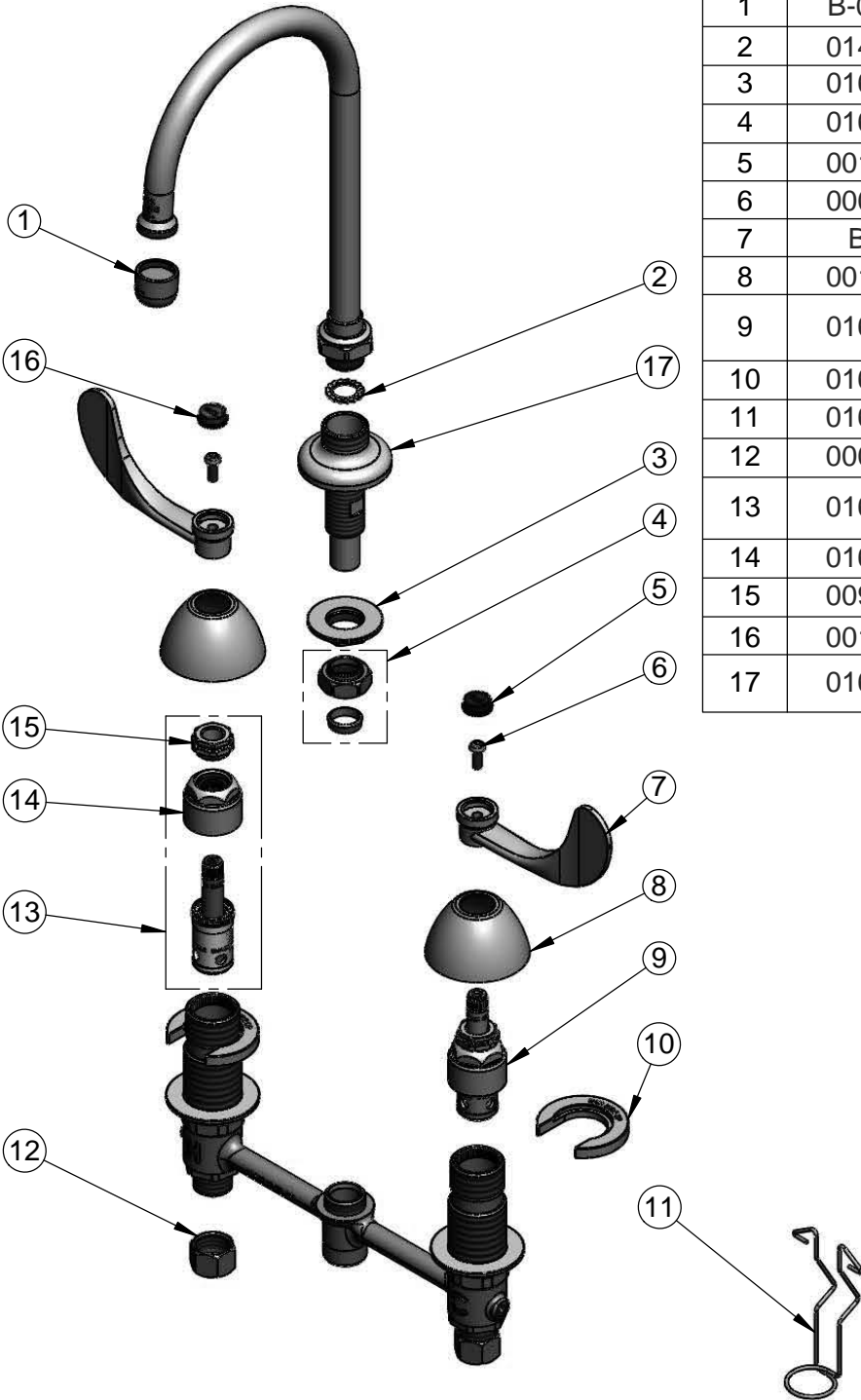
Model No.

B-2866-05-LF15

Item No.

Travelers Rest, SC: 800-476-4103 • Simi Valley, CA: 800-423-0150 • Fax: 864-834-3518 • www.tsbrass.com

ITEM NO.	SALES NO.	DESCRIPTION
1	B-0199-29	1.5 GPM Laminar Device
2	014200-45	Star Washer, Anti-Rotation
3	016742-45	Center Flange Nut
4	016745-45	Compression Nut & Fitting
5	001686-45	Blue CW Index
6	000925-45	Lab Handle Screw
7	B-WH4	4" Wrist Action Handle
8	001257-40	Bell Escutcheon
9	016752-40	EasyInstall CWS LTC Eterna (Teflon)
10	016749-45	Sidebody C-Washer
11	016777-45	CWS Hanger
12	000958-20	Coupling Nut
13	016753-40	CWS EasyInstall RTC Eterna (Teflon)
14	016743-25	CWS Bonnet Assembly
15	009002-25	Packing Nut Assembly
16	001194-45	Red HW Index
17	016754-40	EasyInstall CWS Swivel Center Shank



017245-40
Installation Repair Kit
Includes #3, (2)#10, #11

Product Specifications:
EasyInstall Faucet w/ 4" Wrist Action Handles, Eterna Cartridges, 8" Inlet Centers & Swivel Gooseneck w/ 1.5 GPM Laminar Flow Device

Drawn JRM	Checked DMH	Approved JHB
Scale: NTS		Date: 06/21/12