



T&S BRASS AND BRONZE WORKS, INC.

2 Saddleback Cove / P.O. Box 1088
Travelers Rest, SC 29690

Model No.

B-2866-05-LT

Item No.

Travelers Rest, SC: 800-476-4103 • Simi Valley, CA: 800-423-0150 • Fax: 864-834-3518 • www.tsbrass.com



ADA Compliant

This Space for Architect/Engineer Approval

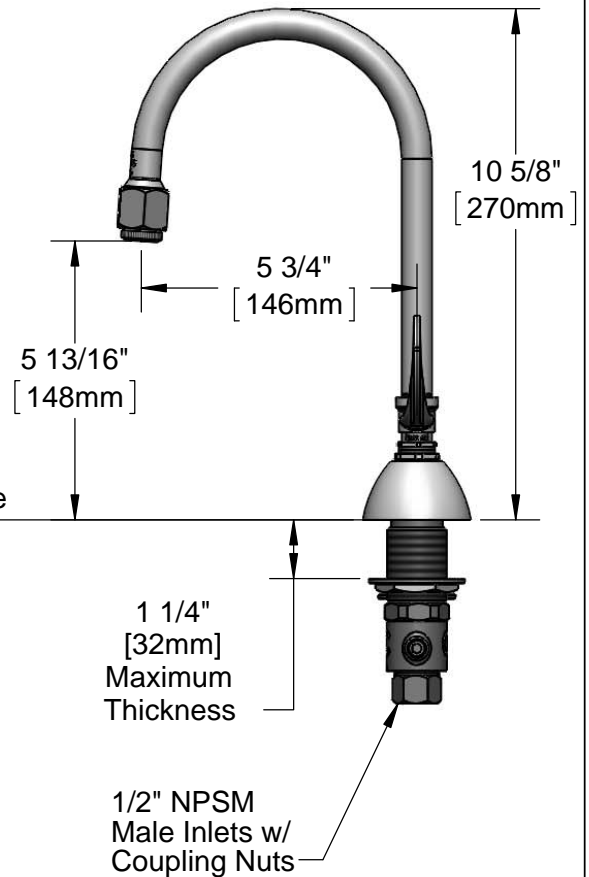
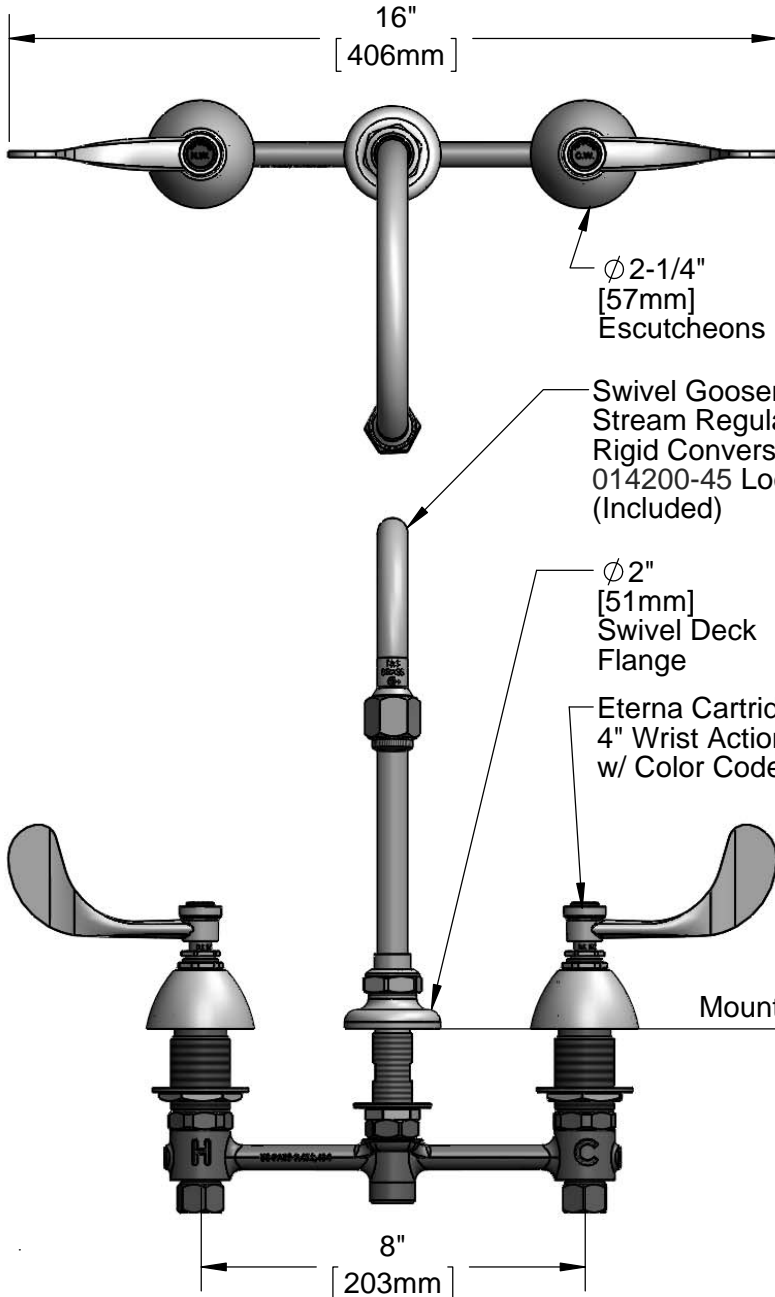
Job Name _____ Date _____

Model Specified _____ Quantity _____

Customer/Wholesaler _____

Contractor _____

Architect/Engineer _____



Rough-In Requirement:
Center Shank: Ø 1" [25mm] Mounting Hole
Hot/Cold Side Bodies: Ø 1 1/2" [38mm] Mounting Holes

Product Specifications:
8" EasyInstall Concealed Deck Mount Mixing Faucet, Eterna Cartridges, 4" Wrist Action Handles & Swivel Gooseneck w/ Stream Regulator Outlet

Product Compliance:
ASME A112.18.1 / CSA B125.1
NSF 61 - Section 9
NSF 372 (Low Lead Content)
ANSI A117.1 (ADA)



T&S BRASS AND BRONZE WORKS, INC.

2 Saddleback Cove / P.O. Box 1088
Travelers Rest, SC 29690

Model No.

B-2866-05-LT

Item No.

Travelers Rest, SC: 800-476-4103 • Simi Valley, CA: 800-423-0150 • Fax: 864-834-3518 • www.tsbrass.com

ITEM NO.	SALES NO.	DESCRIPTION
1	B-LT	Stream Regulator Outlet
2	001043-45	Washer
3	041X	
4	001048-45	Nozzle Tip Washer
5	009538-45	Swivel Washer
6	011429-45	Swivel Sleeves (2)
7	001074-45	O-Ring
8	014200-45	Star Washer, Anti-Rotation
9	016754-40	EasyInstall CWS Swivel Center Shank
10	016742-45	Center Flange Nut
11	016745-45	Compression Nut & Fitting
12	001686-45	Blue Index - CW
13	000925-45	Lab Handle Screw
14	B-WH4	4" Wrist Action Handle
15	B-WH4C	4" Wrist Action Handle, Screw & Cold Index
16	001257-40	Bell Escutcheon
17	016752-40	EasyInstall CWS LTC Eterna (Teflon)
18	016749-45	Sidebody C-Washer
19	016777-45	CWS Hanger
20	000958-20	Coupling Nut
21	016753-40	EasyInstall CWS RTC Eterna (Teflon)
22	016743-25	CWS Eterna Bonnet
23	009002-25	Packing Nut
24	B-WH4H	4" Wrist Action Handle, Screw & Hot Index
25	001194-45	Red Index - HW

017245-40
Installation Repair Kit
Includes #10, (2)#18, #19

Product Specifications:
8" EasyInstall Concealed Deck Mount Mixing Faucet, Eterna Cartridges, 4" Wrist Action Handles & Swivel Gooseneck w/ Stream Regulator Outlet

Product Compliance:
ASME A112.18.1 / CSA B125.1
NSF 61 - Section 9
NSF 372 (Low Lead Content)
ANSI A117.1 (ADA)