



T&S BRASS AND BRONZE WORKS, INC.

2 Saddleback Cove / P.O. Box 1088
Travelers Rest, SC 29690

Model No.

B-2866-05-VF05

Item No.

Travelers Rest, SC: 800-476-4103 • Simi Valley, CA: 800-423-0150 • Fax: 864-834-3518 • www.tsbrass.com

This Space for Architect/Engineer Approval

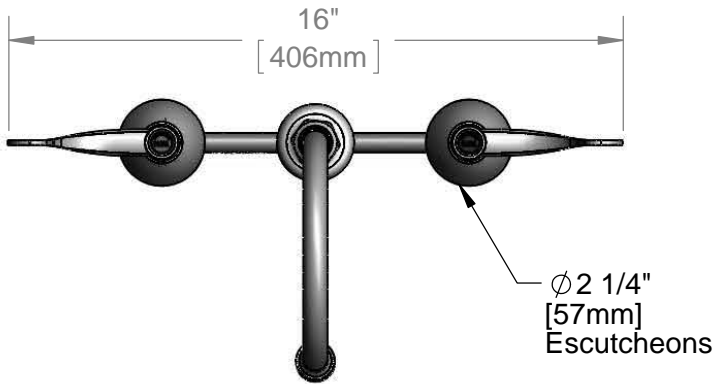
Job Name _____ Date _____

Model Specified _____ Quantity _____

Customer/Wholesaler _____

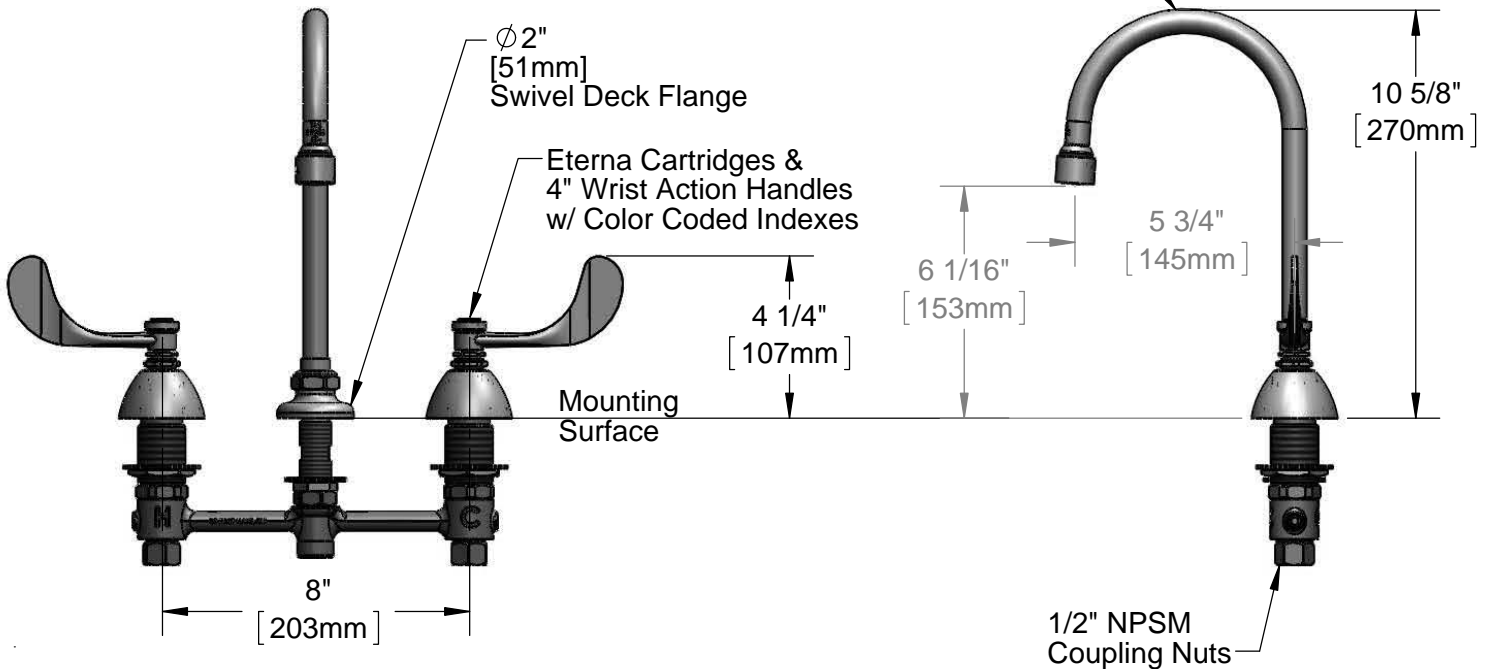
Contractor _____

Architect/Engineer _____



ADA Compliant

Swivel Gooseneck w/
B-0199-06-N05
VR 0.5 GPM Non-
Aerated Spray Device
(Optional Swivel/Rigid
Washer Included)



Rough-In Requirement:

Ø 1" [25mm] for Center Shank

Ø 1 1/2" [38mm] for Hot/Cold Side

Product Specifications:

EasyInstall Faucet w/ 4" Wrist Action Handles, Eterna Cartridges,
8" Inlet Centers & Swivel Gooseneck w/ Vandal Resistant 0.5 GPM
Non-Aerated Spray Device

Product Compliance:

ASME A112.18.1 / CSA B125.1
NSF 61 - Section 9
NSF 372 (Low Lead Content)
ANSI A117.1 (ADA)



T&S BRASS AND BRONZE WORKS, INC.

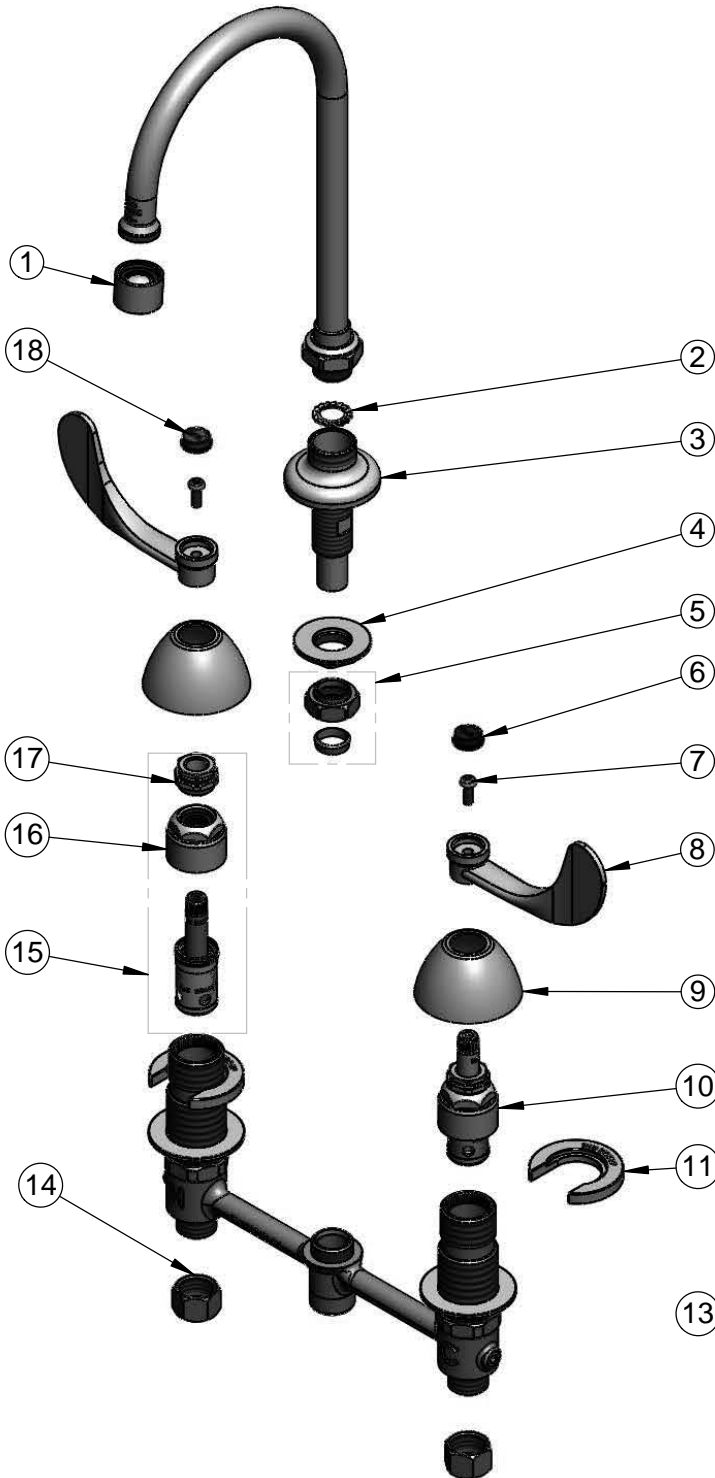
2 Saddleback Cove / P.O. Box 1088
Travelers Rest, SC 29690

Model No.

B-2866-05-VF05

Item No.

Travelers Rest, SC: 800-476-4103 • Simi Valley, CA: 800-423-0150 • Fax: 864-834-3518 • www.tsbrass.com



| ITEM NO. | SALES NO. | DESCRIPTION |
|----------|---------------|--|
| 1 | B-0199-06-N05 | 0.5 GPM VR Non-Aerated Spray Device, 55/64-27 Female |
| 2 | 014200-45 | Star Washer, Anti-Rotation |
| 3 | 016754-40 | EasyInstall CWS Swivel Center Shank |
| 4 | 016742-45 | Center Flange Nut |
| 5 | 016745-45 | Compression Nut & Fitting |
| 6 | 001686-45 | Blue Index - CW |
| 7 | 000925-45 | Lab Handle Screw |
| 8 | B-WH4 | 4" Wrist Action Handle |
| 9 | 001257-40 | Bell Escutcheon |
| 10 | 016752-40 | EasyInstall CWS LTC Eterna (Teflon) |
| 11 | 016749-45 | Sidebody C-Washer |
| 12 | 015425-45 | Vandal Resistant Key |
| 13 | 016777-45 | CWS Hanger |
| 14 | 000958-20 | Coupling Nut |
| 15 | 016753-40 | EasyInstall CWS RTC Eterna (Teflon) |
| 16 | 016743-25 | CWS Eterna Bonnet |
| 17 | 009002-25 | Packing Nut |
| 18 | 001194-45 | Red Index - HW |



017245-40
Installation Repair Kit
Includes #4, (2)#11, #13

Product Specifications:

EasyInstall Faucet w/ 4" Wrist Action Handles, Eterna Cartridges, 8" Inlet Centers & Swivel Gooseneck w/ Vandal Resistant 0.5 GPM Non-Aerated Spray Device

Product Compliance:

ASME A112.18.1 / CSA B125.1
NSF 61 - Section 9
NSF 372 (Low Lead Content)
ANSI A117.1 (ADA)