

T&S BRASS AND BRONZE WORKS, INC.

2 Saddleback Cove / P.O. Box 1088
Travelers Rest, SC 29690

Model No.

B-2866-05-VF22

Item No.

Travelers Rest, SC: 800-476-4103 • Simi Valley, CA: 800-423-0150 • Fax: 864-834-3518 • www.tsbrass.com

This Space for Architect/Engineer Approval

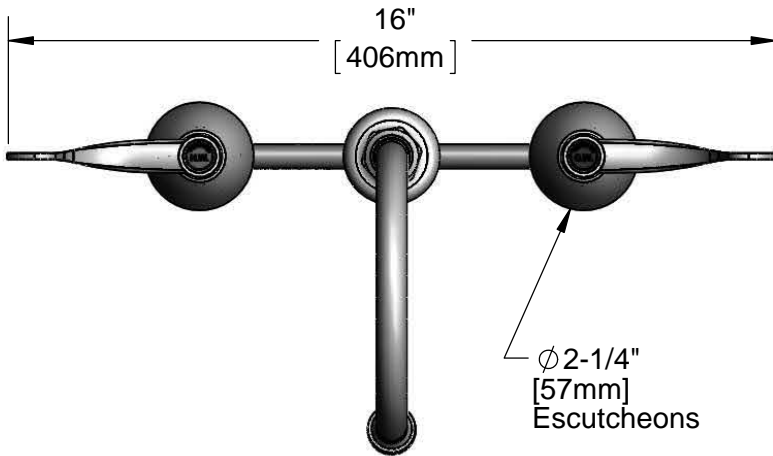
Job Name _____ Date _____

Model Specified _____ Quantity _____

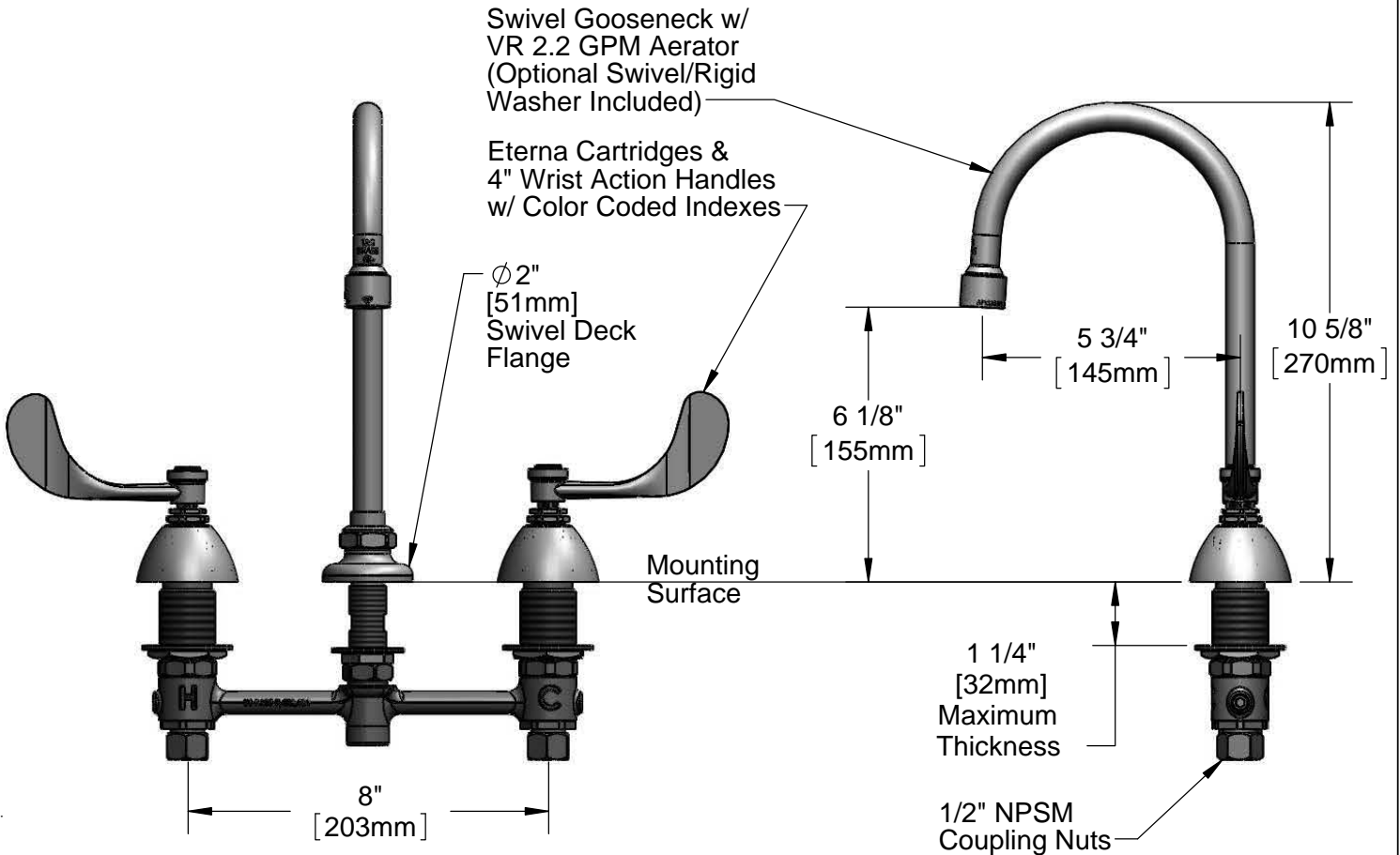
Customer/Wholesaler _____

Contractor _____

Architect/Engineer _____



ADA Compliant

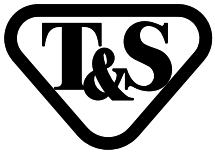


Rough-In Requirement:
 Ø 1" [25mm] for Center Shank
 Ø 1 1/2" [38mm] for Hot/Cold Side

Product Specifications:
 EasyInstall Faucet w/ 4" Wrist Action Handles, Eterna Cartridges, 8" Inlet Centers & Swivel Gooseneck w/ Vandal Resistant 2.2 GPM Aerator

Drawn KJG	Checked DMH	Approved JHB
---------------------	-----------------------	------------------------

Scale: 1:4	Date: 10/04/12
----------------------	--------------------------



T&S BRASS AND BRONZE WORKS, INC.

2 Saddleback Cove / P.O. Box 1088

Travelers Rest, SC 29690

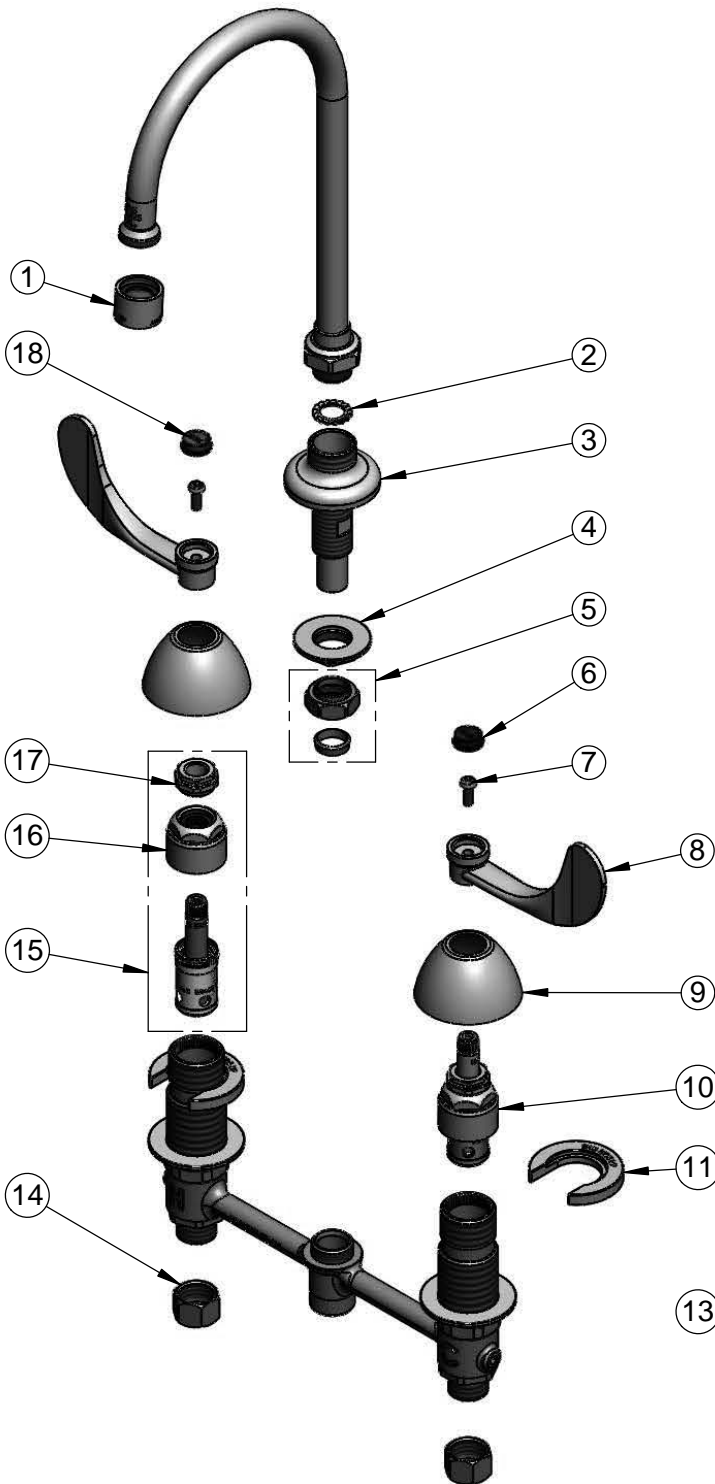
Model No.

B-2866-05-VF22

Item No.

Travelers Rest, SC: 800-476-4103 • Simi Valley, CA: 800-423-0150 • Fax: 864-834-3518 • www.tsbrass.com

ITEM NO.	SALES NO.	DESCRIPTION
1	B-0199-06	VR 2.2 GPM Aerator, 55/64"-27UN Female
2	014200-45	Star Washer, Anti-Rotation
3	016754-40	EasyInstall CWS Swivel Center Shank
4	016742-45	Center Flange Nut
5	016745-45	Compression Nut & Fitting
6	001686-45	Blue CW Index
7	000925-45	Lab Handle Screw
8	B-WH4	4" Wrist Action Handle
9	001257-40	Bell Escutcheon
10	016752-40	EasyInstall CWS LTC Eterna (Teflon)
11	016749-45	Sidebody C-Washer
12	015425-45	Vandal Resistant Key
13	016777-45	CWS Hanger
14	000958-20	Coupling Nut
15	016753-40	EasyInstall CWS RTC Eterna (Teflon)
16	016743-25	CWS Eterna Bonnet
17	009002-25	Packing Nut
18	001194-45	Red HW Index



017245-40
Installation Repair Kit
Includes #4, (2)#11, #13

Product Specifications:

EasyInstall Faucet w/ 4" Wrist Action Handles, Eterna Cartridges, 8" Inlet Centers & Swivel Gooseneck w/ Vandal Resistant 2.2 GPM Aerator

Drawn	Checked	Approved
KJG	DMH	JHB
Scale:	Date:	
NTS	10/04/12	