



**T&S BRASS AND BRONZE WORKS, INC.**  
 2 Saddleback Cove / P.O. Box 1088  
 Travelers Rest, SC 29690

Model No.  
**B-2866-05-WA**

Item No.

Travelers Rest, SC: 800-476-4103 • Simi Valley, CA: 800-423-0150 • Fax: 864-834-3518 • www.tsbrass.com

This Space for Architect/Engineer Approval

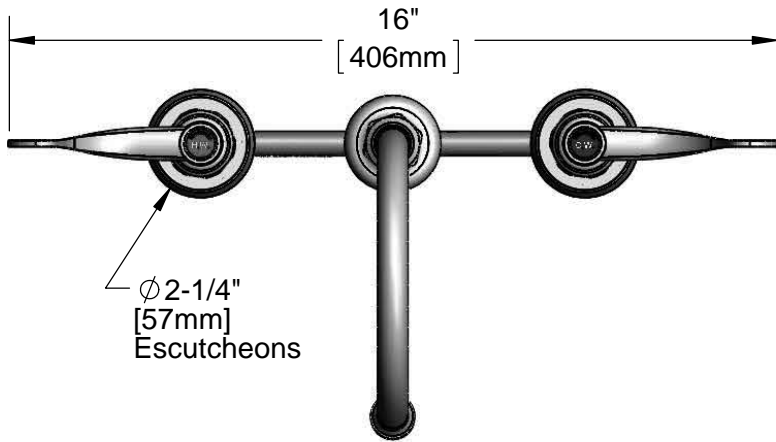
Job Name \_\_\_\_\_ Date \_\_\_\_\_

Model Specified \_\_\_\_\_ Quantity \_\_\_\_\_

Customer/Wholesaler \_\_\_\_\_

Contractor \_\_\_\_\_

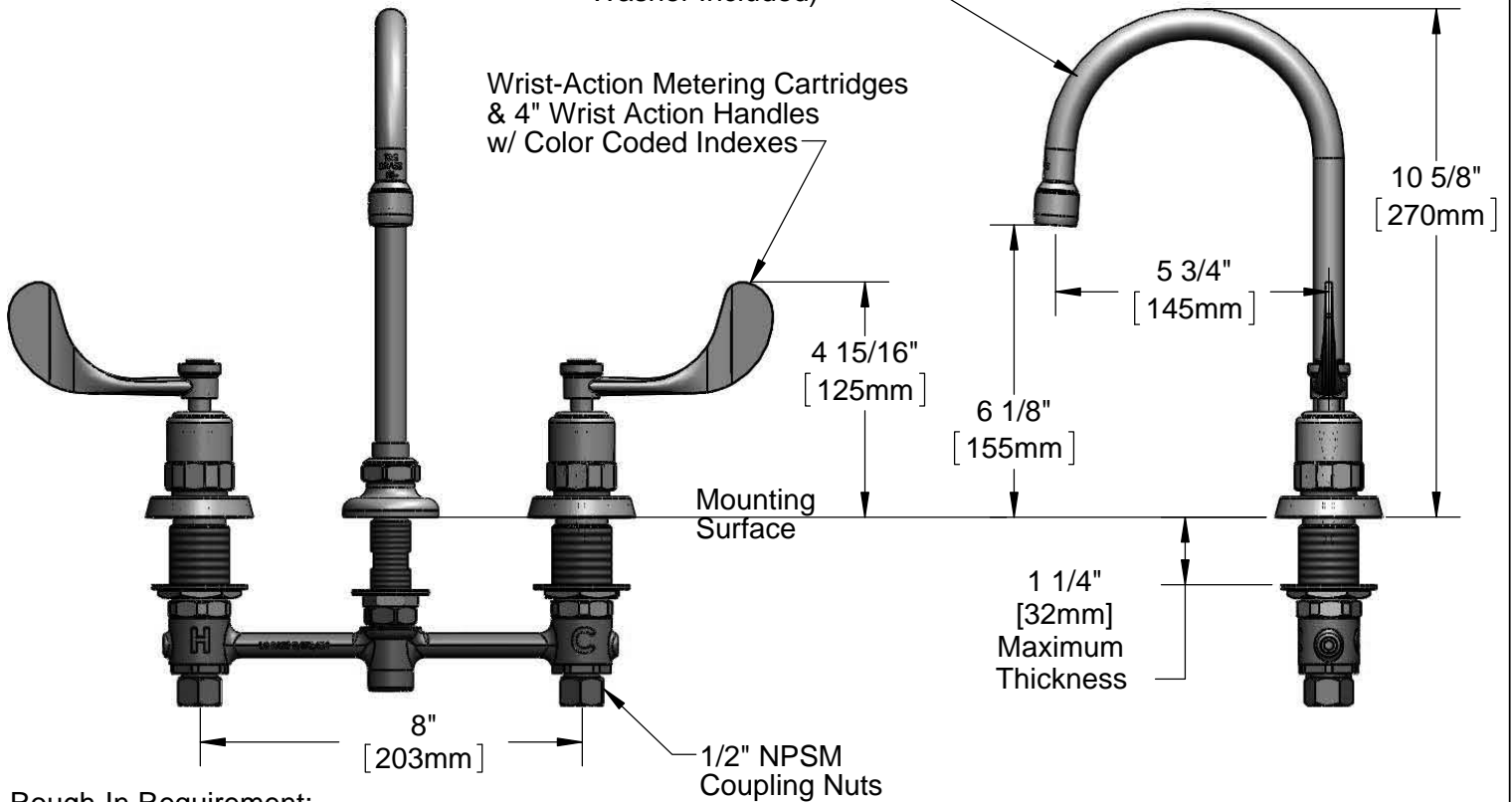
Architect/Engineer \_\_\_\_\_



**ADA Compliant**

Swivel Gooseneck w/  
 2.2 GPM Aerator  
 (Optional Swivel/Rigid  
 Washer Included)

Wrist-Action Metering Cartridges  
 & 4" Wrist Action Handles  
 w/ Color Coded Indexes



Rough-In Requirement:  
 Ø 1" [25mm] for Center Shank  
 Ø 1-1/2" [38mm] for Hot/Cold Side

Product Specifications:

EasyInstall Faucet w/ 4" Wrist Action Handles, Wrist-Action Metering Cartridges, 8" Inlet Centers, & Swivel Gooseneck w/ 2.2 GPM Aerator

Drawn <b>KJG</b>	Checked <b>JRM</b>	Approved <b>JHB</b>
Scale: <b>1:4</b>		Date: <b>09/20/12</b>



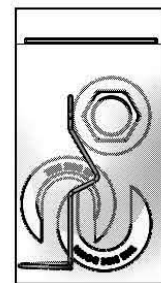
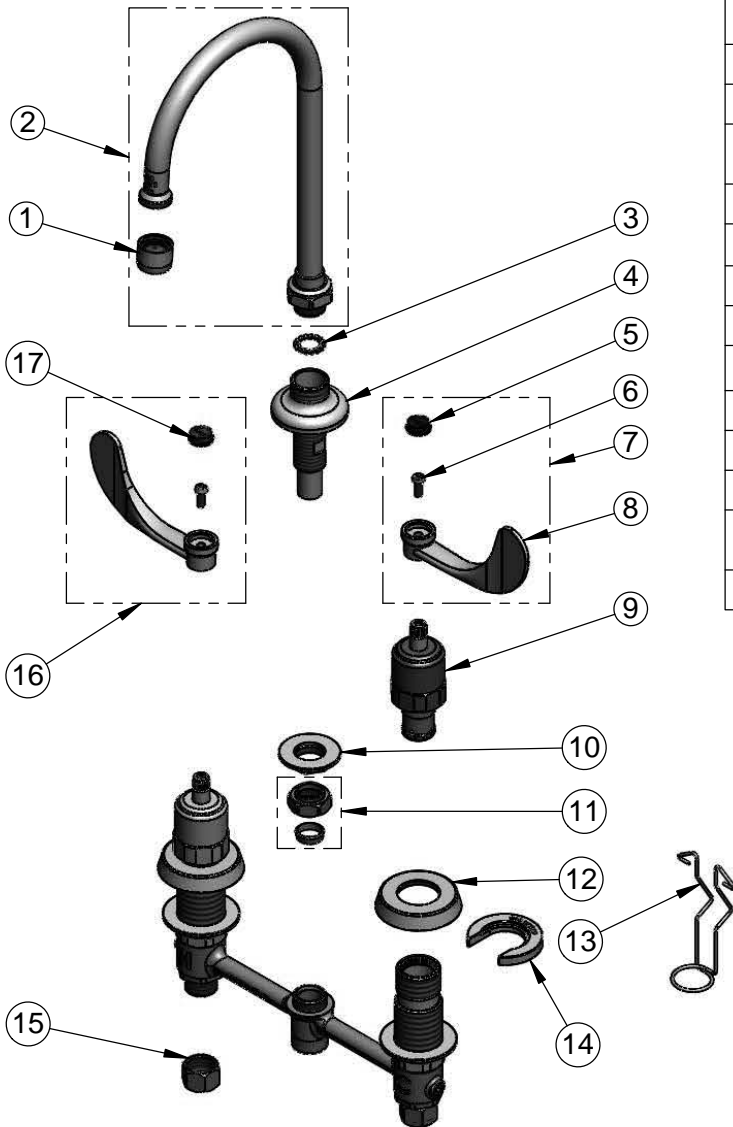
**T&S BRASS AND BRONZE WORKS, INC.**  
 2 Saddleback Cove / P.O. Box 1088  
 Travelers Rest, SC 29690

Model No.  
**B-2866-05-WA**

Item No.

Travelers Rest, SC: 800-476-4103 • Simi Valley, CA: 800-423-0150 • Fax: 864-834-3518 • www.tsbrass.com

ITEM NO.	SALES NO.	DESCRIPTION
1	B-0199-01	2.2 GPM Aerator, 55/64"-27UN Female
2	133X-AER	6" Swivel Gooseneck w/ Aerator
3	014200-45	Star Washer, Anti-Rotation
4	016754-40	EasyInstall CWS Swivel Center Shank
5	001686-45	Blue CW Index
6	000925-45	Lab Handle Screw
7	B-WH4C	4" Wrist Action Handle, Screw & Cold Index
8	B-WH4	4" Wrist Action Handle
9	012449-40	Wrist-Action Metering Cartridge
10	016742-45	Center Flange Nut
11	016745-45	Compression Nut & Fitting
12	017292-45	Metering CWS Escutcheon
13	016777-45	CWS Hanger
14	016749-45	Sidebody C-Washer
15	000958-20	Coupling Nut
16	B-WH4H	4" Wrist Action Handle, Screw & Hot Index
17	001194-45	Red HW Index



017245-40  
 Installation Repair Kit  
 Includes #10, (2) #14, #13

Product Specifications:  
 EasyInstall Faucet w/ 4" Wrist Action Handles, Wrist-Action Metering Cartridges, 8" Inlet Centers, & Swivel Gooseneck w/ 2.2 GPM Aerator

Drawn <b>KJG</b>	Checked <b>JRM</b>	Approved <b>JHB</b>
Scale: <b>NTS</b>		Date: <b>09/20/12</b>