

T&S BRASS AND BRONZE WORKS, INC.

2 Saddleback Cove / P.O. Box 1088
Travelers Rest, SC 29690

Model No.

B-2866-05FC-PV

Item No.

Travelers Rest, SC: 800-476-4103 • Simi Valley, CA: 800-423-0150 • Fax: 864-834-3518 • www.tsbrass.com

This Space for Architect/Engineer Approval

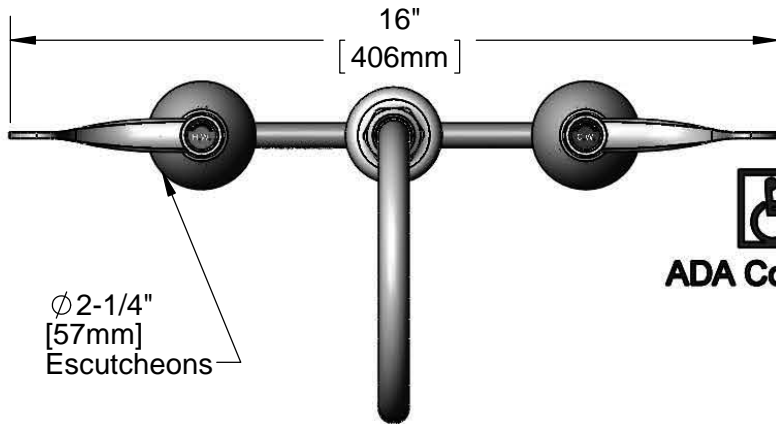
Job Name _____ Date _____

Model Specified _____ Quantity _____

Customer/Wholesaler _____

Contractor _____

Architect/Engineer _____

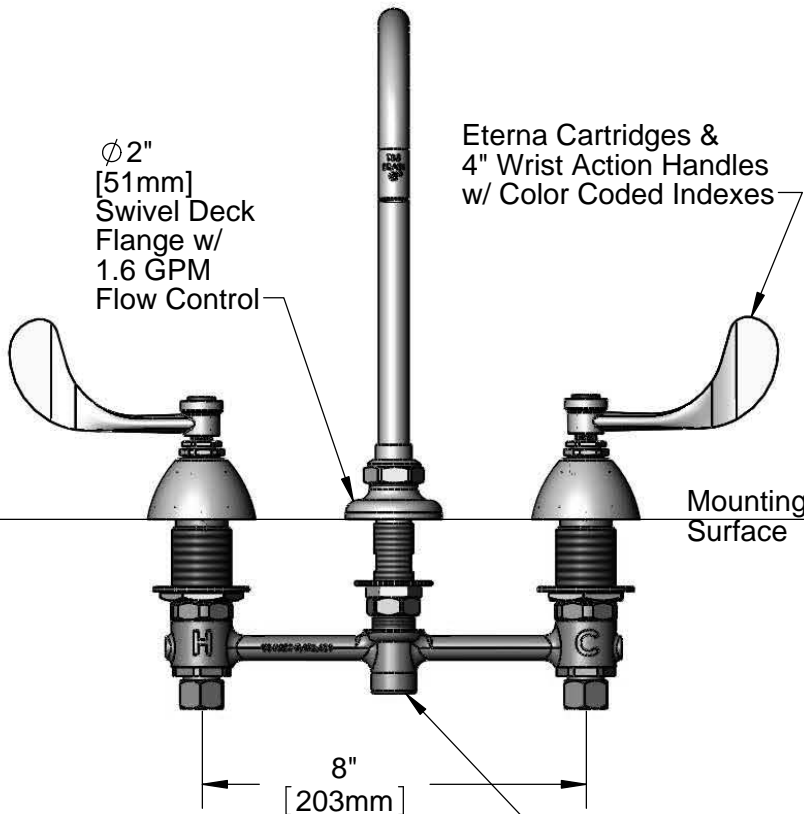


Ø2-1/4"
[57mm]
Escutcheons



ADA Compliant

133XP
Gooseneck
w/ Plain End Spout
(Optional Swivel-to-Rigid
Washer Included)



Ø2"
[51mm]
Swivel Deck
Flange w/
1.6 GPM
Flow Control

Eterna Cartridges &
4" Wrist Action Handles
w/ Color Coded Indexes

Mounting
Surface

10 5/8"
[270mm]

6 5/8"
[169mm]

5 11/16"
[144mm]

1 1/4"
[32mm]
Max Thickness

1/2" NPSM
Coupling Nuts

8"
[203mm]

3/8" NPT Female
Pedal Valve
Connection

Rough-In Requirement:
Ø 1" [25mm] for Center Shank
Ø 1-1/2" [38mm] for Hot/Cold Side

Product Specifications:
EasyInstall Faucet w/ 1.6 GPM Flow Control, 4" Wrist Action Handles,
Eterna Cartridges, 3/8" NPT Pedal Valve Connection,
8" Inlet Centers & Swivel Gooseneck w/ Plain End Spout

Drawn JRM	Checked DMH	Approved JHB
Scale: 1:4		Date: 06/21/12



T&S BRASS AND BRONZE WORKS, INC.

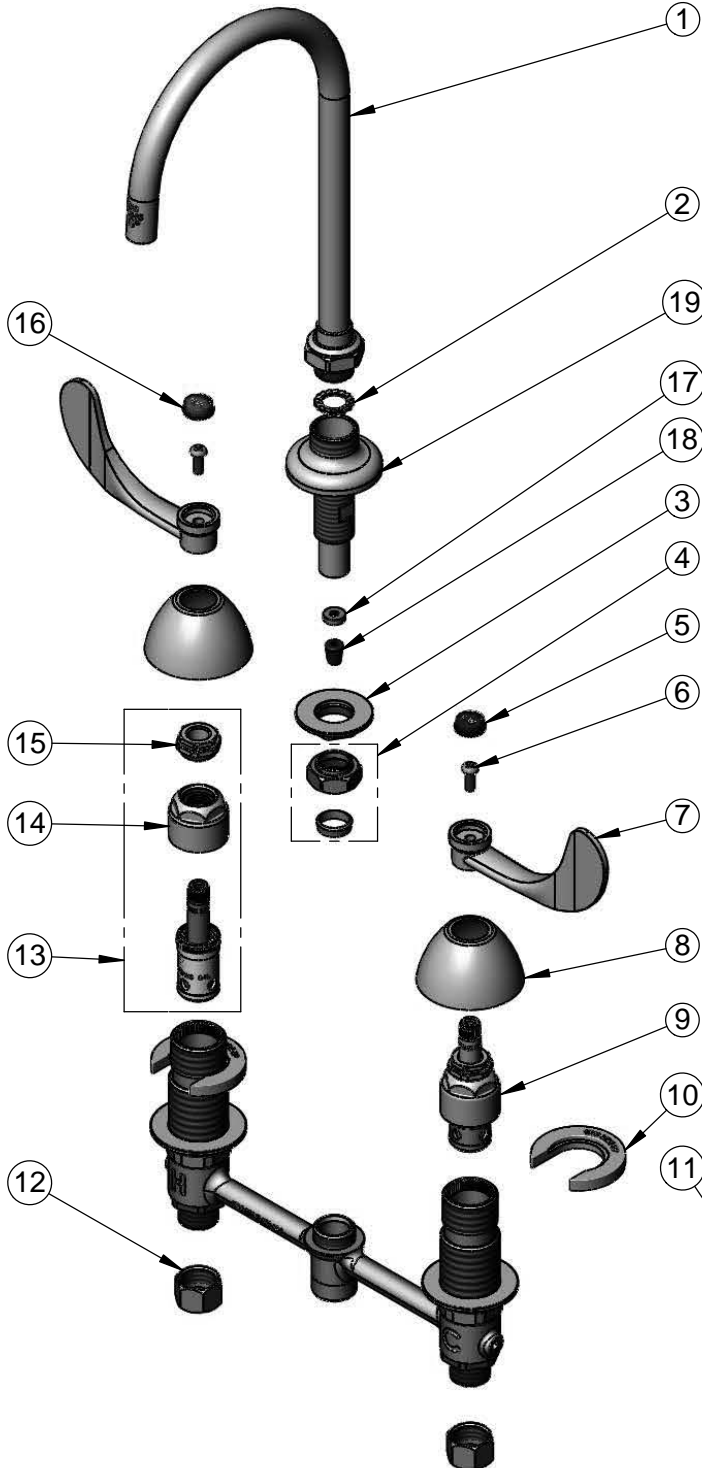
2 Saddleback Cove / P.O. Box 1088
Travelers Rest, SC 29690

Model No.

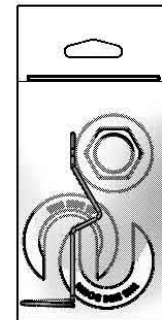
B-2866-05FC-PV

Item No.

Travelers Rest, SC: 800-476-4103 • Simi Valley, CA: 800-423-0150 • Fax: 864-834-3518 • www.tsbrass.com



ITEM NO.	SALES NO.	DESCRIPTION
1	133XP	Plain End Swivel Gooseneck
2	014200-45	Star Washer, Anti-Rotation
3	016742-45	Center Flange Nut
4	016745-45	Compression Nut & Fitting
5	001686-45	Blue CW Index
6	000925-45	Lab Handle Screw
7	B-WH4	4" Wrist Action Handle
8	001257-40	Bell Escutcheon
9	016752-40	EasyInstall CWS LTC Eterna
10	016749-45	Sidebody C-Washer
11	016777-45	CWS Hanger
12	000958-20	Coupling Nut
13	016753-40	EasyInstall CWS RTC Eterna
14	016743-25	CWS Bonnet Assembly
15	009002-25	Packing Nut Assembly
16	001194-45	Red HW Index
17	009069-45	Flow Control Holder
18	016232-45	Flow Tower, 1.6 GPM
19	016754-40	EasyInstall CWS Swivel Center Shank



017245-40
Installation Repair Kit
Includes #3, (2)#10, & #11

Product Specifications:

EasyInstall Faucet w/ 1.6 GPM Flow Control, 4" Wrist Action Handles, Eterna Cartridges, 3/8" NPT Pedal Valve Connection, 8" Inlet Centers & Swivel Gooseneck w/ Plain End Spout

Drawn JRM	Checked DMH	Approved JHB
Scale: NTS		Date: 06/21/12