

T&S BRASS AND BRONZE WORKS, INC.

2 Saddleback Cove / P.O. Box 1088
Travelers Rest, SC 29690

Model No.

B-2866-05QT-VRS

Item No.

Travelers Rest, SC: 800-476-4103 • Simi Valley, CA: 800-423-0150 • Fax: 864-834-3518 • www.tsbrass.com

This Space for Architect/Engineer Approval

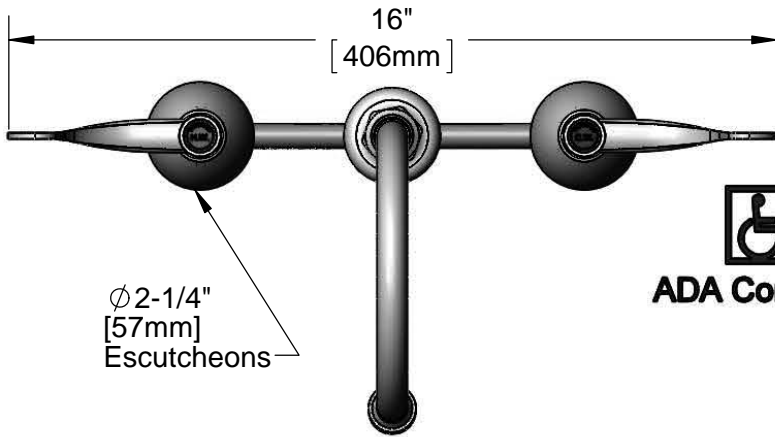
Job Name _____ Date _____

Model Specified _____ Quantity _____

Customer/Wholesaler _____

Contractor _____

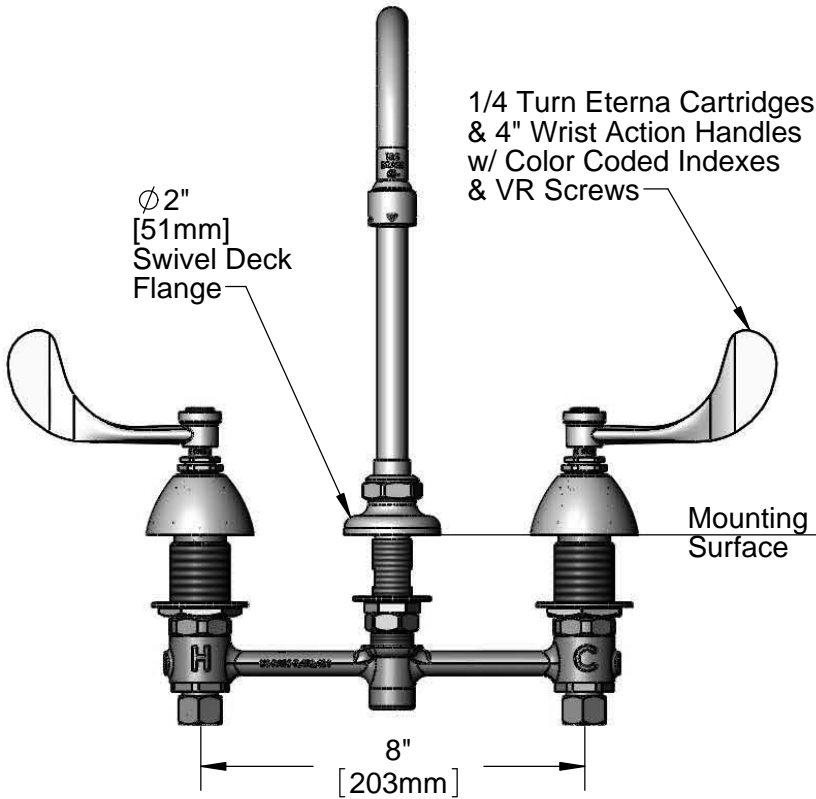
Architect/Engineer _____



Ø 2-1/4"
[57mm]
Escutcheons



ADA Compliant

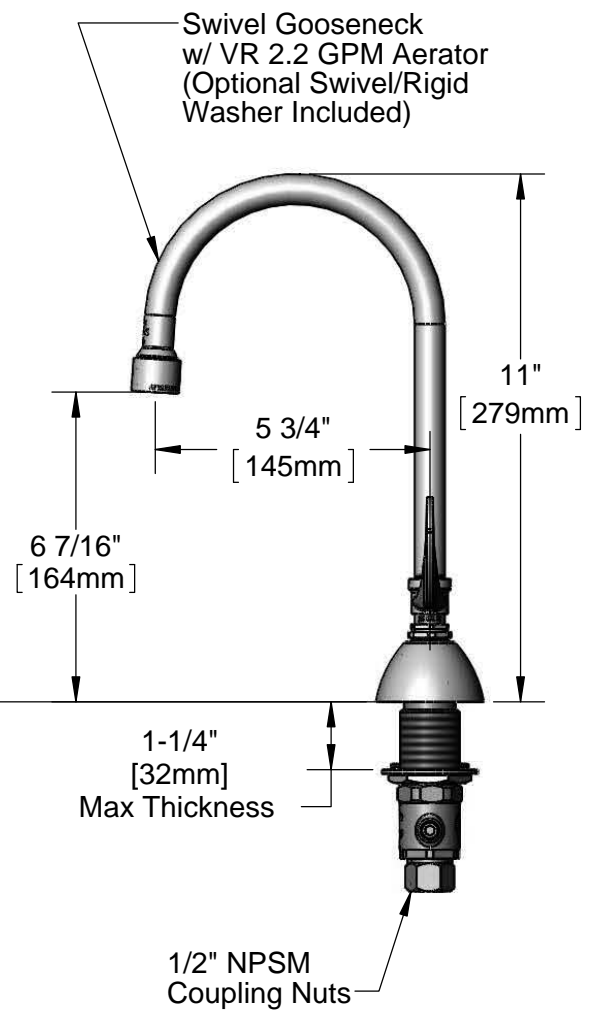


1/4 Turn Eterna Cartridges
& 4" Wrist Action Handles
w/ Color Coded Indexes
& VR Screws

Ø 2"
[51mm]
Swivel Deck
Flange

Mounting
Surface

8"
[203mm]



Swivel Gooseneck
w/ VR 2.2 GPM Aerator
(Optional Swivel/Rigid
Washer Included)

6 7/16"
[164mm]

5 3/4"
[145mm]

11"
[279mm]

1-1/4"
[32mm]
Max Thickness

1/2" NPSM
Coupling Nuts

Rough-In Requirement:

Ø 1" [25mm] for Center Shank

Ø 1-1/2" [38mm] for Hot/Cold Side

Product Specifications:

EasyInstall Faucet w/ 4" Wrist Action Handles w/ VR Screws,
1/4 Turn Eterna Cartridges, 8" Inlet Centers & Swivel
Gooseneck w/ VR 2.2 GPM Aerator

Drawn

JRM

Checked

DMH

Approved

JHB

Scale:

1:4

Date:

06/21/12



T&S BRASS AND BRONZE WORKS, INC.

2 Saddleback Cove / P.O. Box 1088
Travelers Rest, SC 29690

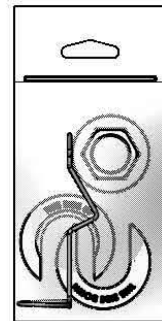
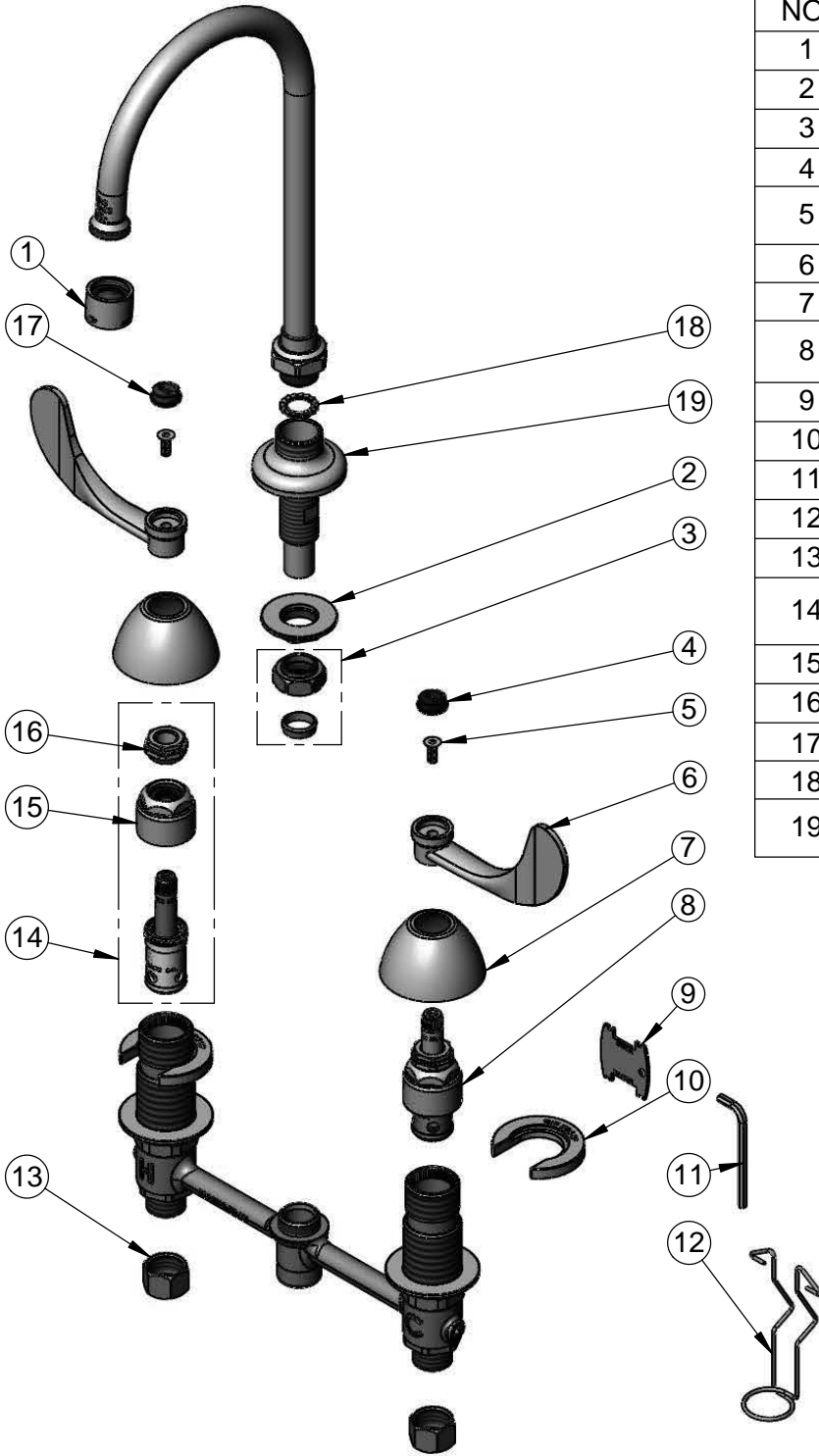
Model No.

B-2866-05QT-VRS

Item No.

Travelers Rest, SC: 800-476-4103 Simi Valley, CA: 800-423-0150 Fax: 864-834-3518 www.tsbrass.com

ITEM NO.	SALES NO.	DESCRIPTION
1	B-0199-06	VR Aerator w/ Key
2	016742-45	Center Flange Nut
3	016745-45	Compression Nut & Fitting
4	001686-45	Blue CW Index
5	B-VRS	Pin-In-Socket Screws w/ Hex Key
6	B-WH4	4" Wrist Action Handle
7	001257-40	Bell Escutcheon
8	016925-40	EasyInstall 1/4 Turn LTC Eterna (Teflon)
9	015425-45	Vandal Resistant Key
10	016749-45	Sidebody C-Washer
11	010587-45	Pin-in-Socket Hex Key
12	016777-45	CWS Hanger
13	000958-20	Coupling Nut
14	016926-40	EasyInstall 1/4 Turn RTC Eterna (Teflon)
15	016743-25	CWS Bonnet Assembly
16	009002-25	Packing Nut Assembly
17	001194-45	Red HW Index
18	014200-45	Star Washer, Anti-Rotation
19	016754-40	EasyInstall CWS Swivel Center Shank



017245-40
Installation Repair Kit
Includes #2, (2)#10, & #12

Product Specifications:

EasyInstall Faucet w/ 4" Wrist Action Handles w/ VR Screws,
1/4 Turn Eterna Cartridges, 8" Inlet Centers & Swivel
Gooseneck w/ VR 2.2 GPM Aerator

Drawn JRM	Checked DMH	Approved JHB
Scale: NTS		Date: 06/21/12