



T&S BRASS AND BRONZE WORKS, INC.

2 Saddleback Cove / P.O. Box 1088
Travelers Rest, SC 29690

Model No.

B-2866-05QT-WS

Item No.

Travelers Rest, SC: 800-476-4103 • Simi Valley, CA: 800-423-0150 • Fax: 864-834-3518 • www.tsbrass.com



ADA Compliant

This Space for Architect/Engineer Approval

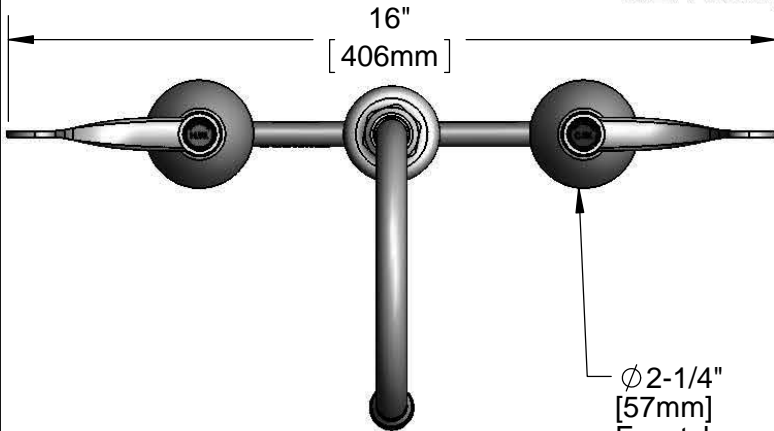
Job Name _____ Date _____

Model Specified _____ Quantity _____

Customer/Wholesaler _____

Contractor _____

Architect/Engineer _____



16"
[406mm]

Ø2-1/4"
[57mm]
Escutcheons



Swivel Gooseneck w/
B-0199-01-WS
1.5 GPM Aerator
(Optional Swivel/Rigid
Washer Included)

Ø2"
[51mm]
Swivel Deck
Flange

Quarter-Turn Eterna
Cartridges & 4" Wrist
Action Handles w/
Color Coded Indexes

4 5/16"
[109mm]

Mounting
Surface

6 3/16"
[157mm]

5 3/4"
[145mm]

10 5/8"
[270mm]

1 1/4"
[32mm]
Maximum
Thickness

1/2" NPSM
Male Inlets w/
Coupling Nuts

8"
[203mm]

Rough-In Requirement:
Ø1" [25mm] for Center Shank
Ø1-1/2" [38mm] for Hot/Cold Side

Product Specifications:
EasyInstall Faucet w/ 4" Wrist Action Handles, Quarter-Turn Eterna Cartridges, 8" Inlet Centers & Swivel Gooseneck w/ 1.5 GPM Aerator

Product Compliance:
ASME A112.18.1 / CSA B125.1
NSF 61 - Section 9
NSF 372 (Low Lead Content)
ANSI A117.1 (ADA)



T&S BRASS AND BRONZE WORKS, INC.

2 Saddleback Cove / P.O. Box 1088
Travelers Rest, SC 29690

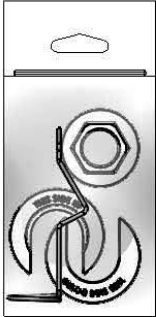
Model No.

B-2866-05QT-WS

Item No.

Travelers Rest, SC: 800-476-4103 • Simi Valley, CA: 800-423-0150 • Fax: 864-834-3518 • www.tsbrass.com

ITEM NO.	SALES NO.	DESCRIPTION
1	B-0199-01-WS	1.5 GPM Aerator, 55/64-27 Female
2	016742-45	Center Flange Nut
3	016745-45	Compression Nut & Fitting
4	001686-45	Blue Index - CW
5	000925-45	Lab Handle Screw
6	B-WH4	4" Wrist Action Handle
7	001257-40	Bell Escutcheon
8	016925-40	EasyInstall CWS LTC, Quarter-Turn Eterna (Teflon)
9	016749-45	Sidebody C-Washer
10	016777-45	CWS Hanger
11	000958-20	Coupling Nut
12	016926-40	EasyInstall CWS RTC, Quarter-Turn Eterna (Teflon)
13	016743-25	CWS Bonnet
14	009002-25	Packing Nut
15	001194-45	Red Index - HW
16	014200-45	Star Washer, Anti-Rotation
17	016754-40	EasyInstall CWS Swivel Center Shank
18	B-WH4H	4" Wrist Action Handle, Screw & Hot Index
19	B-WH4C	4" Wrist Action Handle, Screw & Cold Index



017245-40
Installation Repair Kit
Includes #2, (2)#9, #10

Product Specifications:
EasyInstall Faucet w/ 4" Wrist Action Handles, Quarter-Turn Eterna Cartridges, 8" Inlet Centers & Swivel Gooseneck w/ 1.5 GPM Aerator

Product Compliance:
ASME A112.18.1 / CSA B125.1
NSF 61 - Section 9
NSF 372 (Low Lead Content)
ANSI A117.1 (ADA)