



T&S BRASS AND BRONZE WORKS, INC.
 2 Saddleback Cove / P.O. Box 1088
 Travelers Rest, SC 29690

Model No.
B-2866-134XPF15

Item No.

Travelers Rest, SC: 800-476-4103 • Simi Valley, CA: 800-423-0150 • Fax: 864-834-3518 • www.tsbrass.com



ADA Compliant

This Space for Architect/Engineer Approval

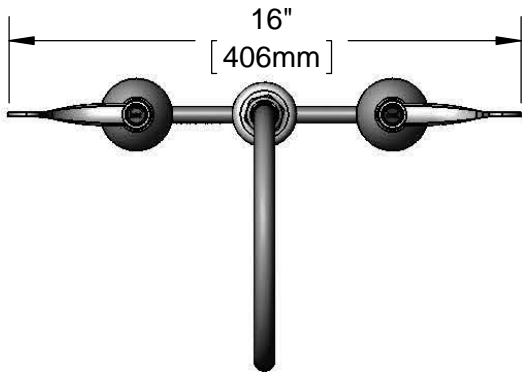
Job Name _____ Date _____

Model Specified _____ Quantity _____

Customer/Wholesaler _____

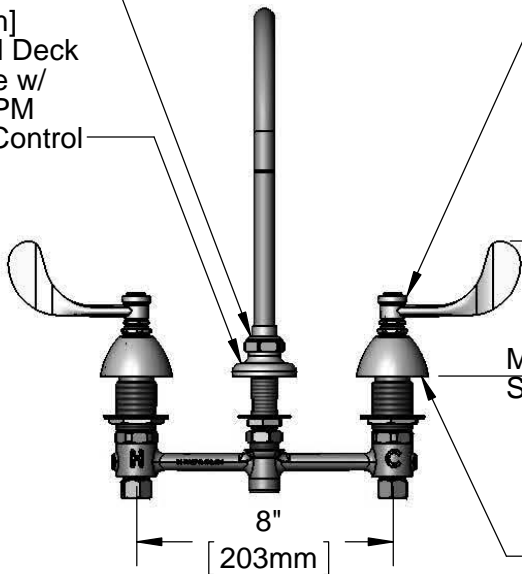
Contractor _____

Architect/Engineer _____



134XP
 Swivel Gooseneck w/
 Laminar Plain End Outlet.
 Rigid Conversion Requires
 014200-45 Lock Washer
 (Included)

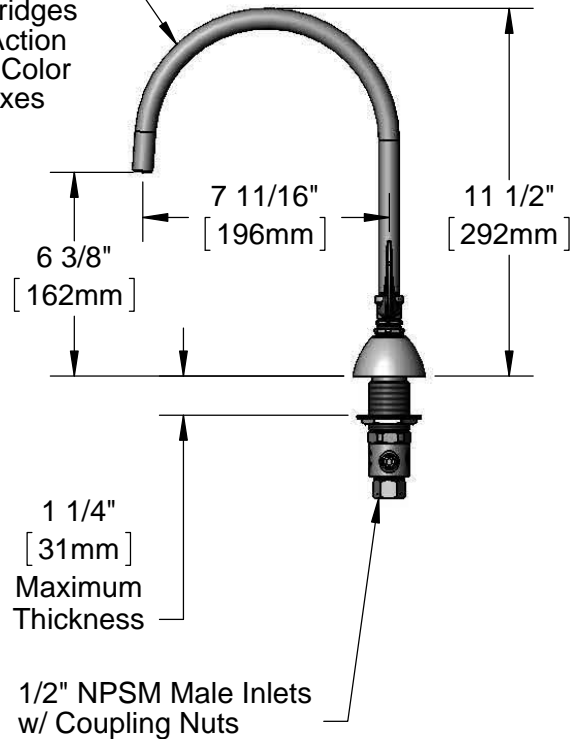
Swivel Joint
 Ø 2"
 [51mm]
 Swivel Deck
 Flange w/
 1.4 GPM
 Flow Control



Eterna Cartridges
 & 4" Wrist Action
 Handles w/ Color
 Coded Indexes

Mounting
 Surface

Ø 2 1/4"
 [57mm]
 Escutcheons



Rough-In Requirement:
 Center Shank: Ø 1" [25mm] Mounting Hole
 Hot/Cold Bodies: Ø 1 1/2" [38mm] Mounting Holes

Product Specifications:
 8" Deck Mount EasyInstall Mixing Faucet, Eterna Cartridges, 4" Wrist Action
 Handles, Swivel Gooseneck, Laminar Plain End Outlet, 1.4 GPM Flow Control
 & 1/2" NPSM Male Inlets

Product Compliance:
 ASME A112.18.1 / CSA B125.1
 NSF 61 - Section 9
 NSF 372 (Low Lead Content)
 ANSI A117.1 (ADA)



T&S BRASS AND BRONZE WORKS, INC.

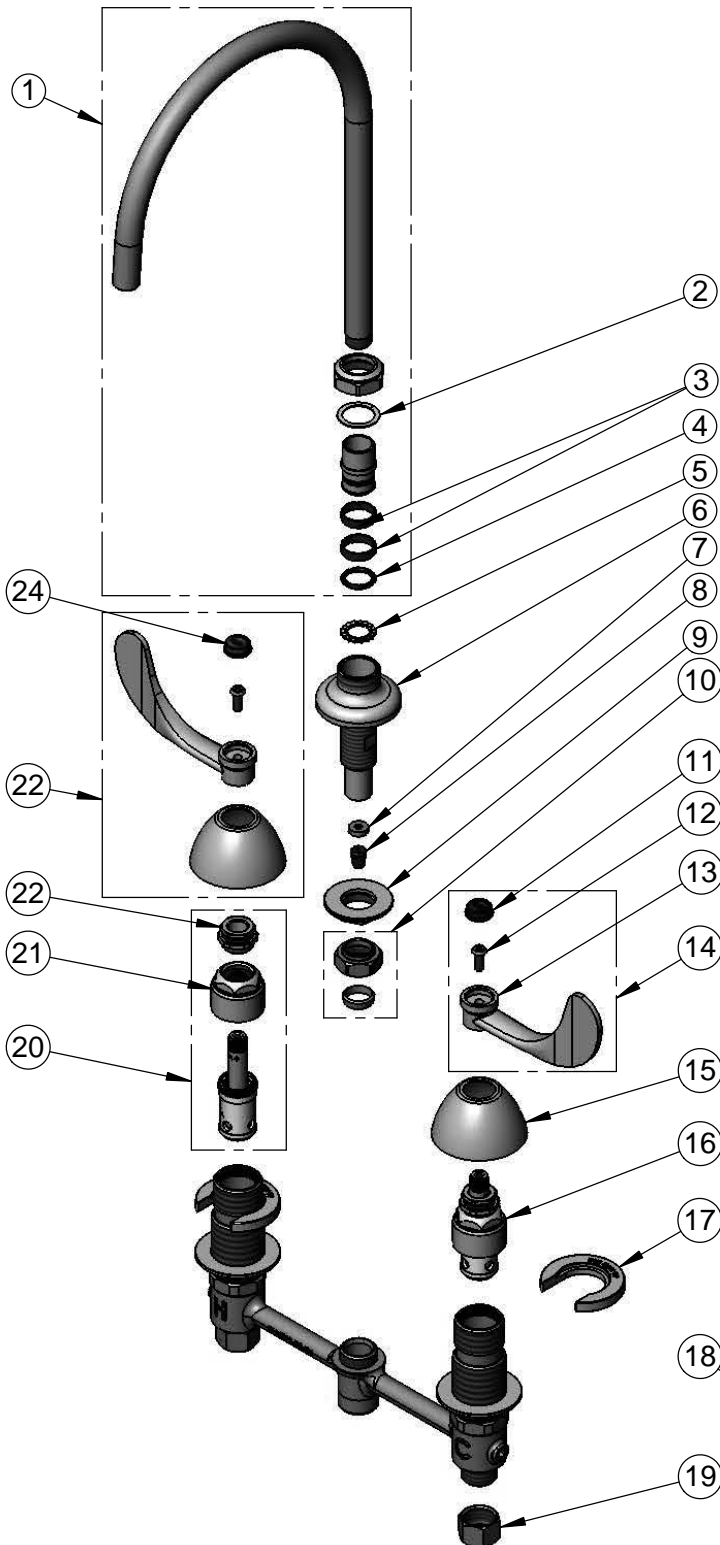
2 Saddleback Cove / P.O. Box 1088
Travelers Rest, SC 29690

Model No.

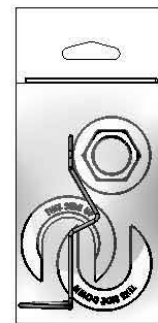
B-2866-134XPF15

Item No.

Travelers Rest, SC: 800-476-4103 • Simi Valley, CA: 800-423-0150 • Fax: 864-834-3518 • www.tsbrass.com



ITEM NO.	SALES NO.	DESCRIPTION
1	134XP	Plain End Swivel Gooseneck
2	009538-45	Swivel Washer
3	011429-45	Swivel Sleeves (2)
4	001074-45	O-Ring
5	014200-45	Star Washer, Anti-Rotation
6	016754-40	EasyInstall CWS Swivel Center Shank
7	009069-45	Flow Control Holder
8	001644-45	1.4 GPM Flow Tower
9	016742-45	Center Flange Nut
10	016745-45	Compression Nut & Fitting
11	001686-45	Blue Index - CW
12	000925-45	Lab Handle Screw
13	B-WH4	4" Wrist Action Handle
14	B-WH4C	4" Wrist Action Handle, Screw & Cold Index
15	001257-40	Bell Escutcheon
16	016752-40	EasyInstall CWS LTC Eterna (Teflon)
17	016749-45	Sidebody C-Washer
18	016777-45	CWS Hanger
19	000958-20	Coupling Nut
20	016753-40	EasyInstall CWS RTC Eterna (Teflon)
21	016743-25	CWS Eterna Bonnet
22	009002-25	Packing Nut
23	B-WH4H	4" Wrist Action Handle, Screw & Hot Index
24	001194-45	Red Index - HW



017245-40
Installation Repair Kit
Includes #9, (2)#17 & #18

Product Specifications:
8" Deck Mount EasyInstall Mixing Faucet, Eterna Cartridges, 4" Wrist Action Handles, Swivel Gooseneck, Laminar Plain End Outlet, 1.4 GPM Flow Control & 1/2" NPSM Male Inlets

Product Compliance:
ASME A112.18.1 / CSA B125.1
NSF 61 - Section 9
NSF 372 (Low Lead Content)
ANSI A117.1 (ADA)