



# T&S BRASS AND BRONZE WORKS, INC.

2 Saddleback Cove / P.O. Box 1088  
Travelers Rest, SC 29690

Model No.

**B-2866-LF12-CR4**

Item No.

Travelers Rest, SC: 800-476-4103 • Simi Valley, CA: 800-423-0150 • Fax: 864-834-3518 • www.tsbrass.com



**ADA Compliant**

This Space for Architect/Engineer Approval

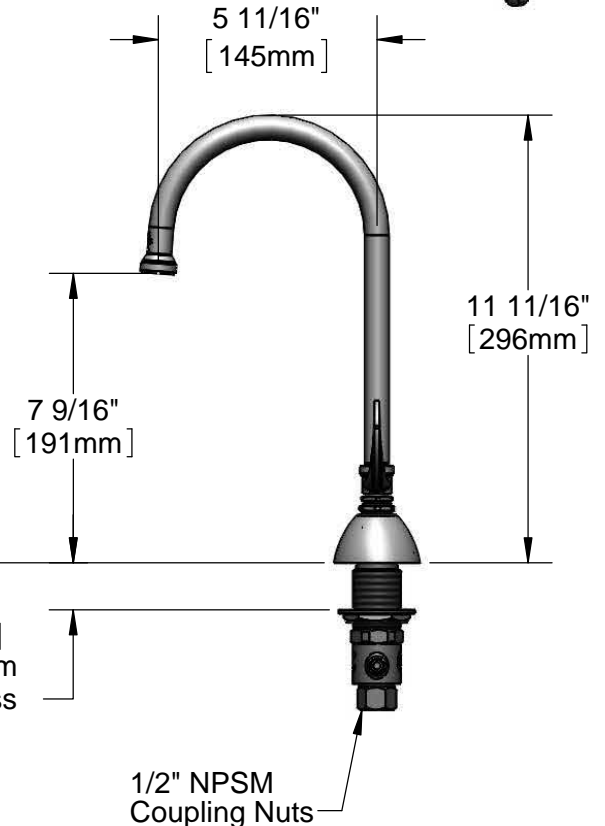
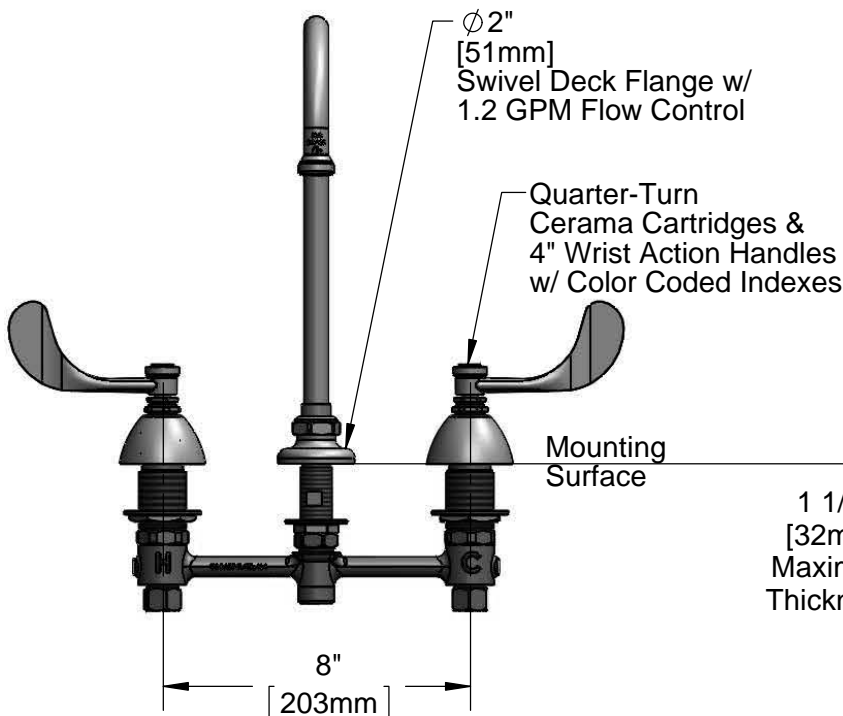
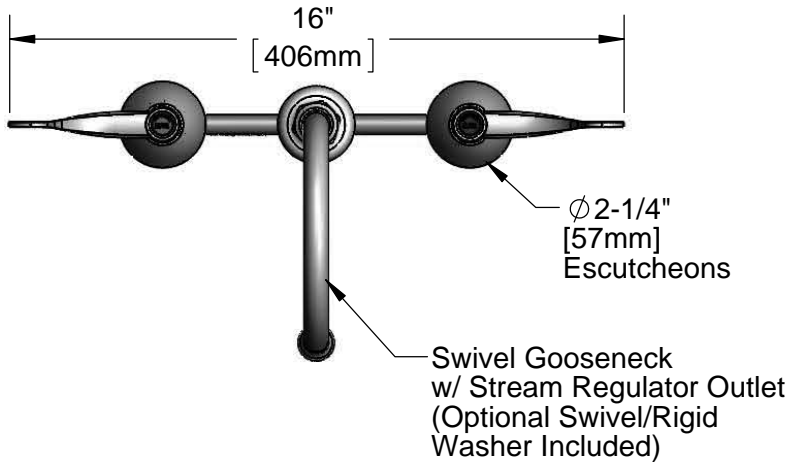
Job Name \_\_\_\_\_ Date \_\_\_\_\_

Model Specified \_\_\_\_\_ Quantity \_\_\_\_\_

Customer/Wholesaler \_\_\_\_\_

Contractor \_\_\_\_\_

Architect/Engineer \_\_\_\_\_



**Rough-In Requirement:**  
 $\phi$  1" [25mm] for Center Shank  
 $\phi$  1 1/2" [38mm] for Hot/Cold Side

**Product Specifications:**  
EasyInstall Faucet w/ 1.2 GPM Flow Control, 4" Wrist Action Handles,  
Quarter-Turn Cerama Cartridges, 8" Inlet Centers & Swivel Gooseneck  
w/ Stream Regulator Outlet

**Product Compliance:**  
ASME A112.18.1 / CSA B125.1  
NSF 61 - Section 9  
NSF 372 (Low Lead Content)  
ANSI A117.1 (ADA)



# T&S BRASS AND BRONZE WORKS, INC.

2 Saddleback Cove / P.O. Box 1088  
Travelers Rest, SC 29690

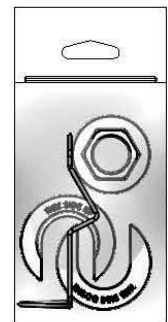
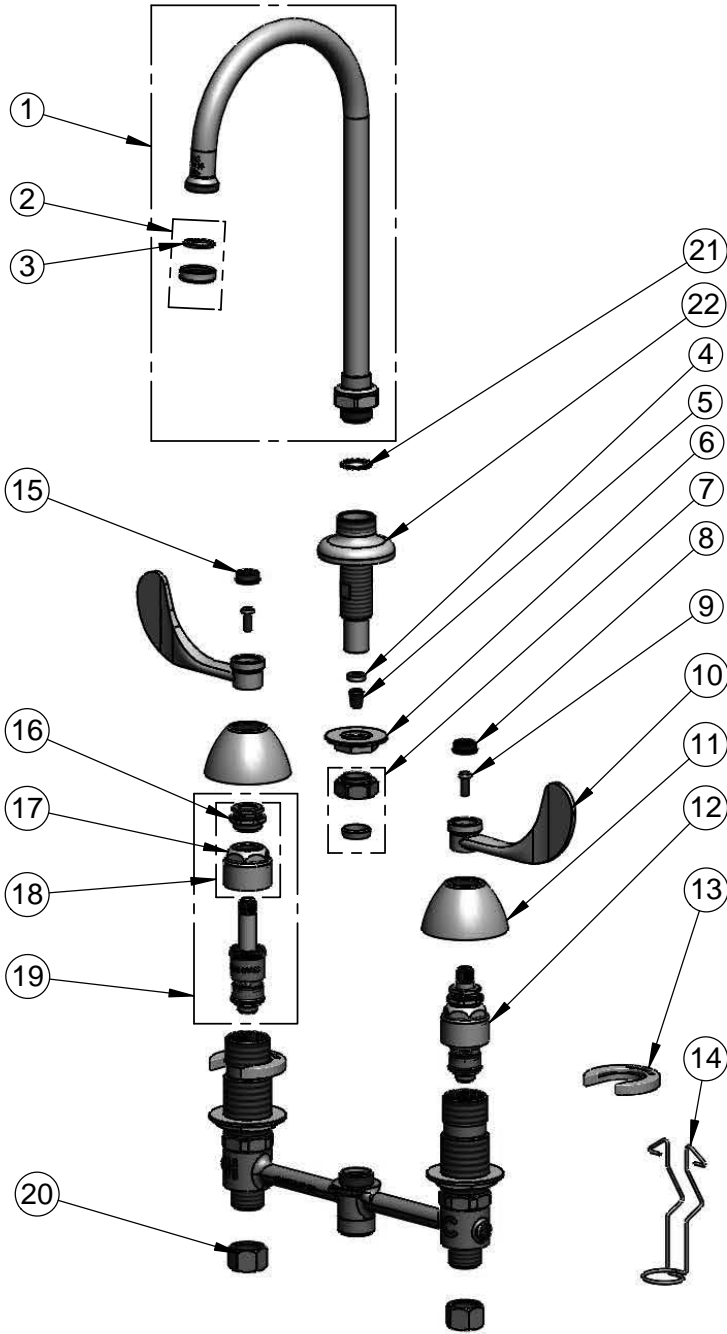
Model No.

**B-2866-LF12-CR4**

Item No.

Travelers Rest, SC: 800-476-4103 • Simi Valley, CA: 800-423-0150 • Fax: 864-834-3518 • www.tsbrass.com

ITEM NO.	SALES NO.	DESCRIPTION
1	016887-40	Swivel Gooseneck
2	B-PT	Stream Regulator Outlet
3	001048-45	Nozzle Tip Washer
4	009069-45	Flow Control Holder
5	001643-45	1.2 GPM Flow Tower
6	016742-45	Center Flange Nut
7	016745-45	Compression Nut & Fitting
8	001686-45	Blue Index - CW
9	000925-45	Lab Handle Screw
10	B-WH4	4" Wrist Action Handle
11	001257-40	Bell Escutcheon
12	016768-25	CWS Eterna Bonnet
13	016749-45	Sidebody C-Washer
14	016777-45	CWS Hanger
15	001194-45	Red Index - HW
16	009002-25	Packing Nut Assembly
17	016743-25	CWS Bonnet
18	016751-40	CWS Bonnet Assembly
19	016767-25	EasyInstall CWS RTC Quarter-Turn Cerama
20	000958-20	Coupling Nut
21	014200-45	Star Washer, Anti-Rotation
22	016754-40	EasyInstall CWS Swivel Center Shank



017245-40  
Installation Repair Kit  
Includes #6, (2)#13, & #14

**Product Specifications:**

EasyInstall Faucet w/ 1.2 GPM Flow Control, 4" Wrist Action Handles, Quarter-Turn Cerama Cartridges, 8" Inlet Centers & Swivel Gooseneck w/ Stream Regulator Outlet

**Product Compliance:**

ASME A112.18.1 / CSA B125.1  
NSF 61 - Section 9  
NSF 372 (Low Lead Content)  
ANSI A117.1 (ADA)