



T&S BRASS AND BRONZE WORKS, INC.
 2 Saddleback Cove / P.O. Box 1088
 Travelers Rest, SC 29690

Model No.
B-2866-QT-VF05

Item No.

Travelers Rest, SC: 800-476-4103 • Simi Valley, CA: 800-423-0150 • Fax: 864-834-3518 • www.tsbrass.com

This Space for Architect/Engineer Approval

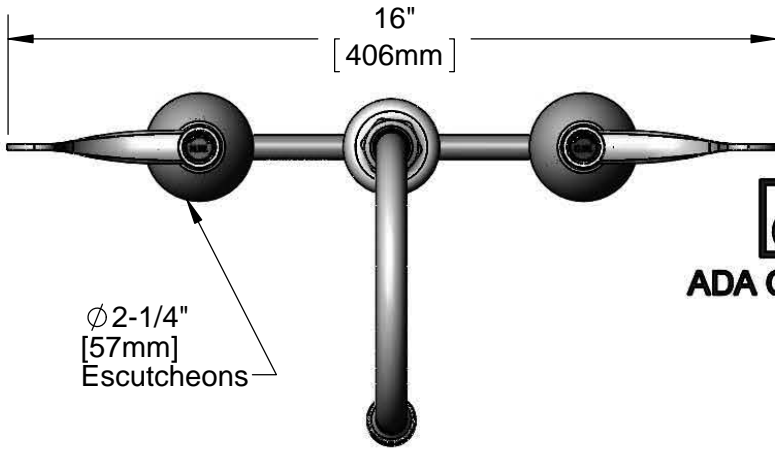
Job Name _____ Date _____

Model Specified _____ Quantity _____

Customer/Wholesaler _____

Contractor _____

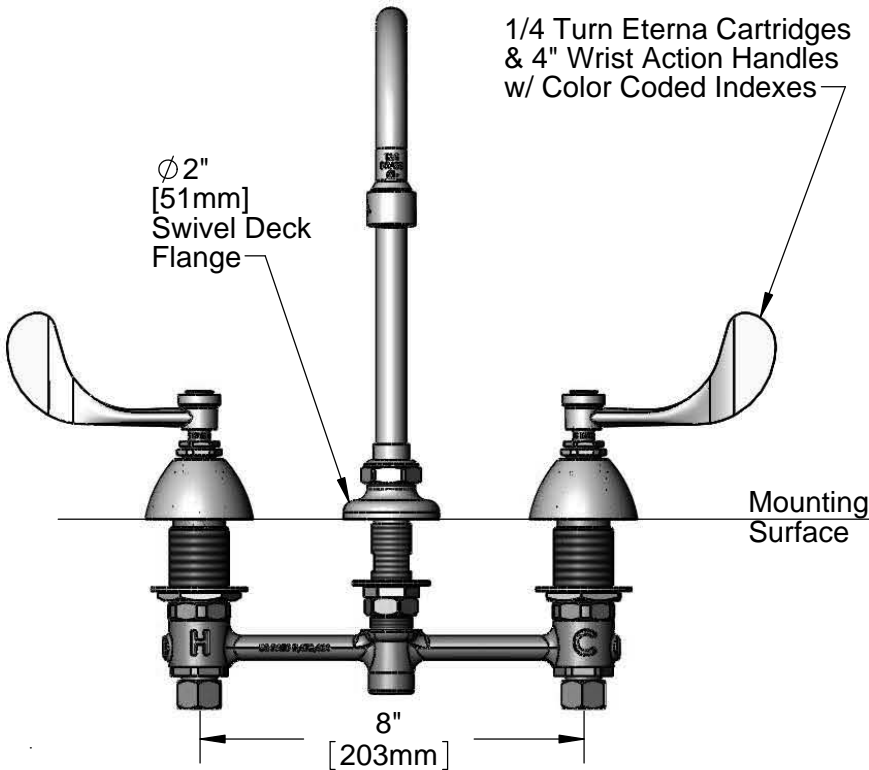
Architect/Engineer _____



Ø2-1/4"
 [57mm]
 Escutcheons



ADA Compliant

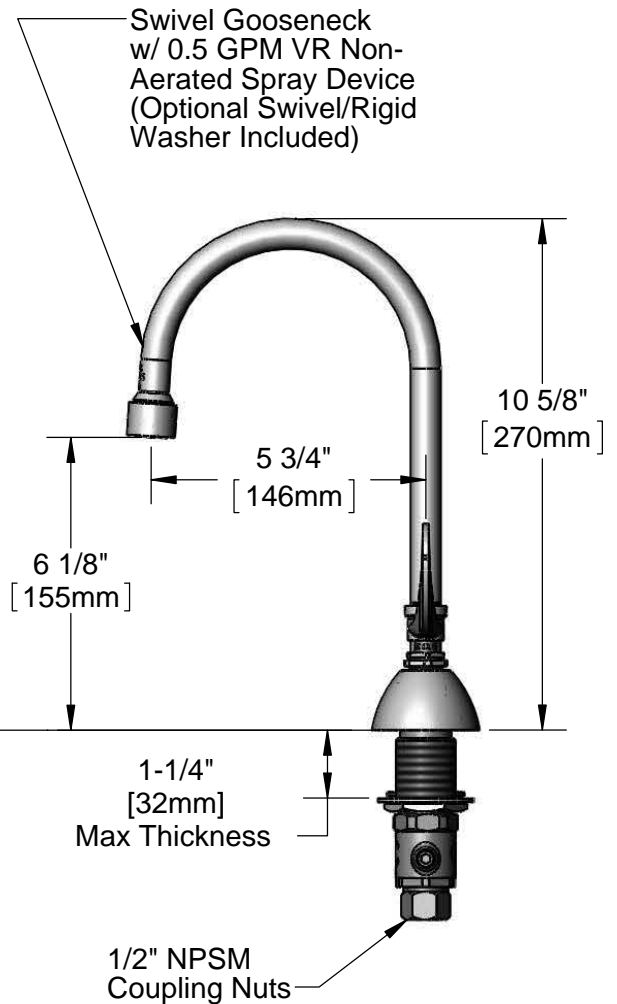


Ø2"
 [51mm]
 Swivel Deck
 Flange

1/4 Turn Eterna Cartridges
 & 4" Wrist Action Handles
 w/ Color Coded Indexes

Mounting
 Surface

8"
 [203mm]



Swivel Gooseneck
 w/ 0.5 GPM VR Non-
 Aerated Spray Device
 (Optional Swivel/Rigid
 Washer Included)

10 5/8"
 [270mm]

5 3/4"
 [146mm]

6 1/8"
 [155mm]

1-1/4"
 [32mm]
 Max Thickness

1/2" NPSM
 Coupling Nuts

Rough-In Requirement:
 Ø1" [25mm] for Center Shank
 Ø1-1/2" [38mm] for Hot/Cold Side

Product Specifications:
 EasyInstall Faucet w/ 4" Wrist Action Handles, 1/4 Turn Eterna
 Cartridges, 8" Inlet Centers & Swivel Gooseneck w/ 0.5 GPM VR
 Non-Aerated Spray Device

Drawn JRM	Checked DMH	Approved JHB
Scale: 1:4		Date: 06/21/12



T&S BRASS AND BRONZE WORKS, INC.

2 Saddleback Cove / P.O. Box 1088
Travelers Rest, SC 29690

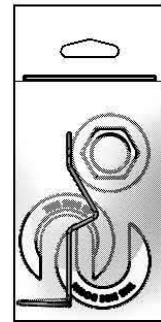
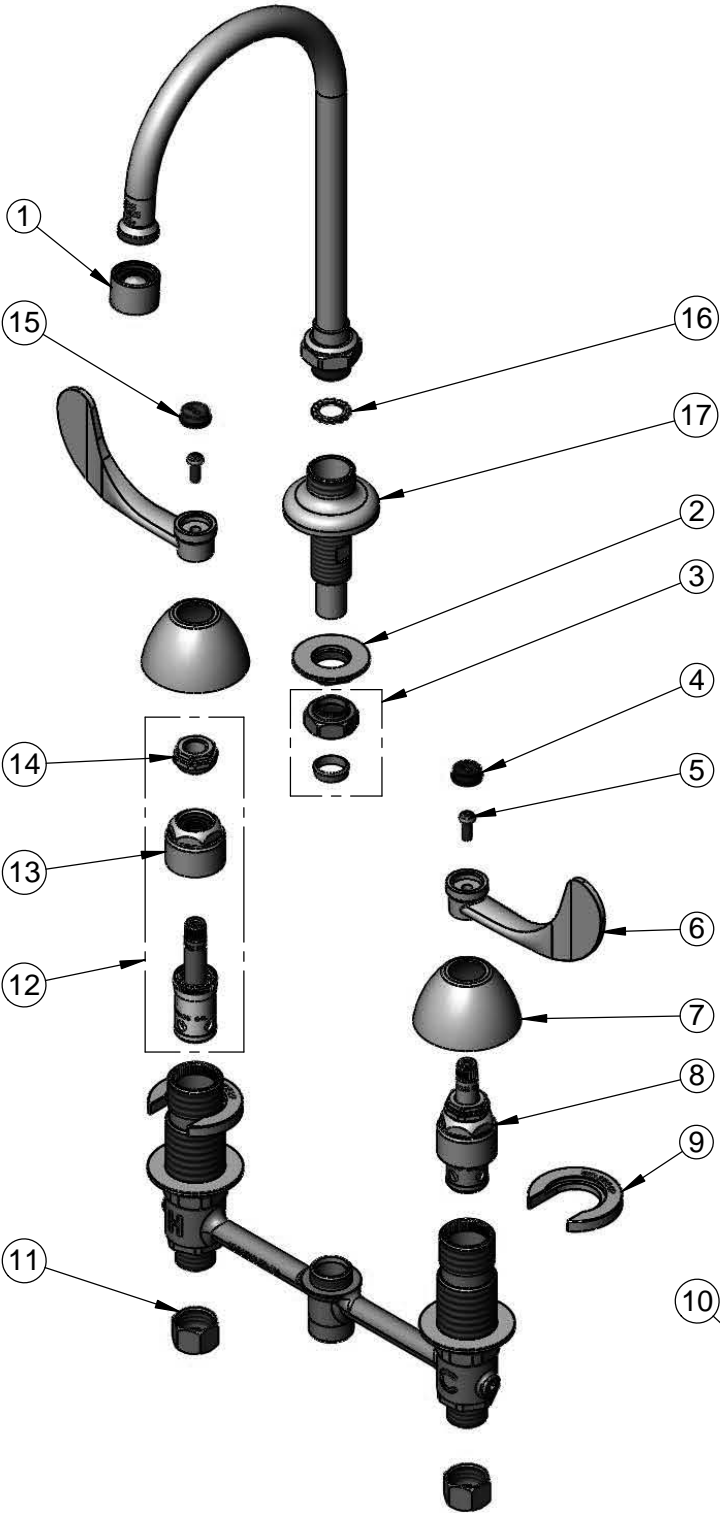
Model No.

B-2866-QT-VF05

Item No.

Travelers Rest, SC: 800-476-4103 • Simi Valley, CA: 800-423-0150 • Fax: 864-834-3518 • www.tsbrass.com

ITEM NO.	SALES NO.	DESCRIPTION
1	B-0199-06-N05	0.5 GPM VR Spray Device, 55/64-27 Female
2	016742-45	Center Flange Nut
3	016745-45	Compression Nut & Fitting
4	001686-45	Blue CW Index
5	000925-45	Lab Handle Screw
6	B-WH4	4" Wrist Action Handle
7	001257-40	Bell Escutcheon
8	016925-40	1/4 Turn LTC Eterna (Teflon)
9	016749-45	Sidebody C-Washer
10	016777-45	CWS Hanger
11	000958-20	Coupling Nut
12	016926-40	EasyInstall 1/4 Turn RTC Eterna (Teflon)
13	016743-25	CWS Bonnet Assembly
14	009002-25	Packing Nut Assembly
15	001194-45	Red HW Index
16	014200-45	Star Washer, Anti-Rotation
17	016754-40	EasyInstall CWS Swivel Center Shank



017245-40
Installation Repair Kit
Includes #2, (2)#9, & #10



015425-45
Vandal Resistant Key
(Included w/ Spray Device)

Product Specifications:

EasyInstall Faucet w/ 4" Wrist Action Handles, 1/4 Turn Eterna Cartridges, 8" Inlet Centers & Swivel Gooseneck w/ 0.5 GPM VR Non-Aerated Spray Device

Drawn JRM	Checked DMH	Approved JHB
Scale: NTS		Date: 06/21/12