



T&S BRASS AND BRONZE WORKS, INC.

2 Saddleback Cove / P.O. Box 1088
Travelers Rest, SC 29690

Model No.

B-2867-04-F05

Item No.

Travelers Rest, SC: 800-476-4103 • Simi Valley, CA: 800-423-0150 • Fax: 864-834-3518 • www.tsbrass.com

This Space for Architect/Engineer Approval

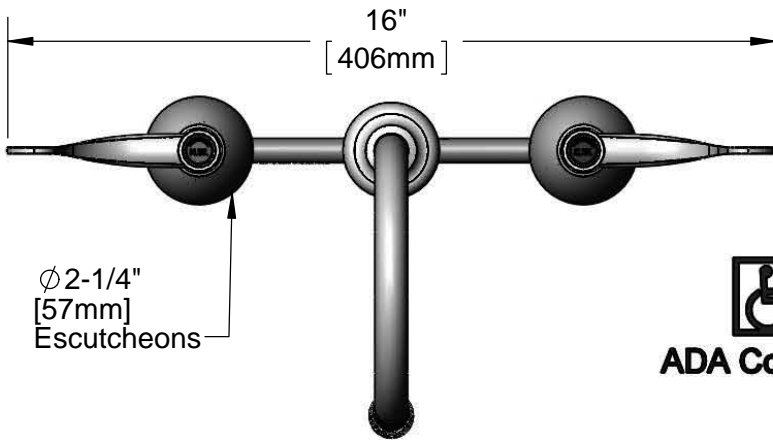
Job Name _____ Date _____

Model Specified _____ Quantity _____

Customer/Wholesaler _____

Contractor _____

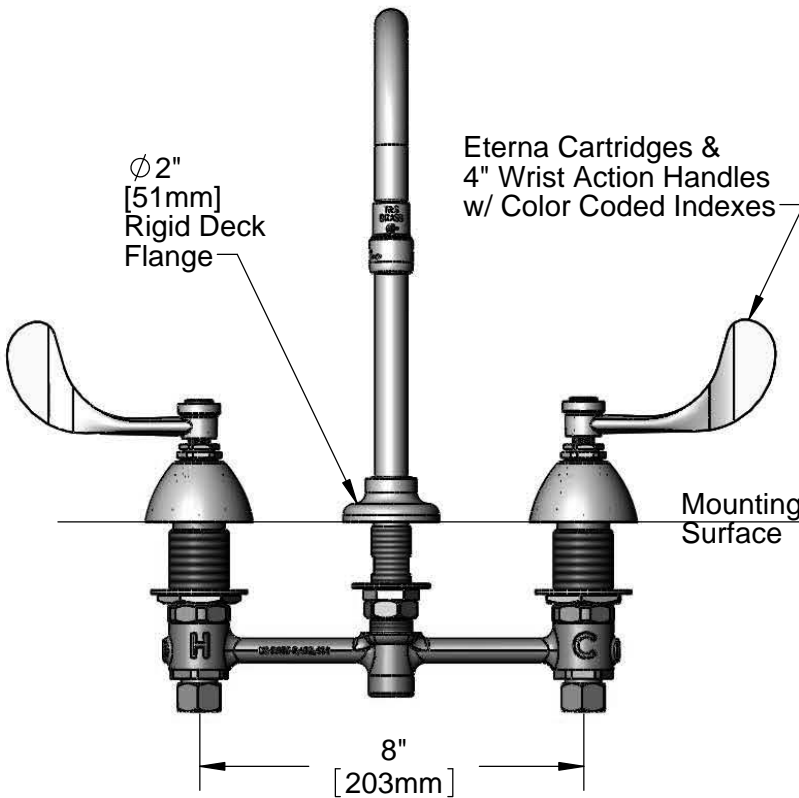
Architect/Engineer _____



Ø 2-1/4" [57mm]
Escutcheons



ADA Compliant

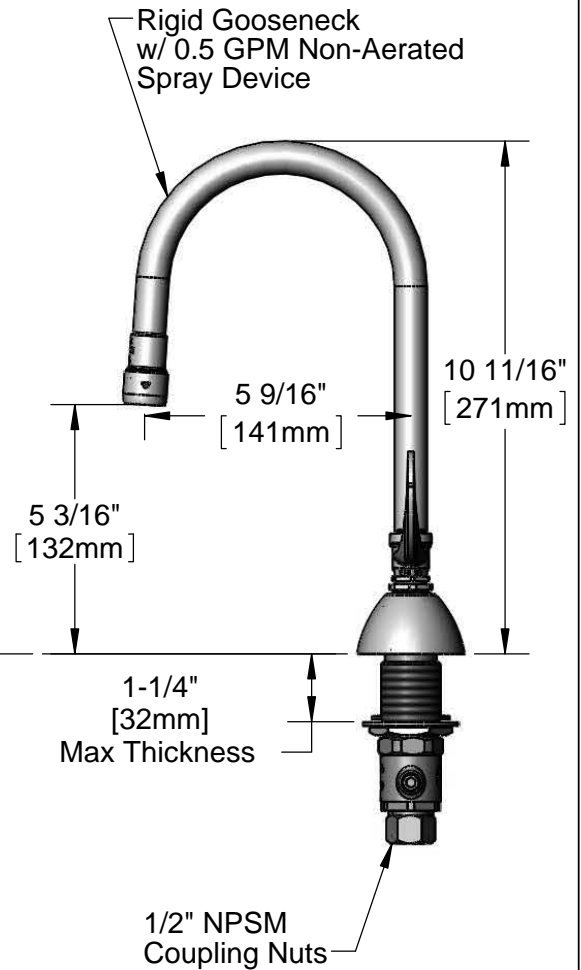


Ø 2" [51mm]
Rigid Deck
Flange

Eterna Cartridges &
4" Wrist Action Handles
w/ Color Coded Indexes

Mounting
Surface

8" [203mm]



Rigid Gooseneck
w/ 0.5 GPM Non-Aerated
Spray Device

5 3/16" [132mm]

5 9/16" [141mm]

10 11/16" [271mm]

1-1/4" [32mm]
Max Thickness

1/2" NPSM
Coupling Nuts

Rough-In Requirement:

Ø 1" [25mm] for Center Shank

Ø 1-1/2" [38mm] for Hot/Cold Side

Product Specifications:

EasyInstall Faucet w/ 4" Wrist Action Handles, Eterna Cartridges, 8" Inlet Centers & Rigid Gooseneck w/ 0.5 GPM Non-Aerated Spray Device

Drawn

JRM

Checked

DMH

Approved

JHB

Scale:

1:4

Date:

06/21/12

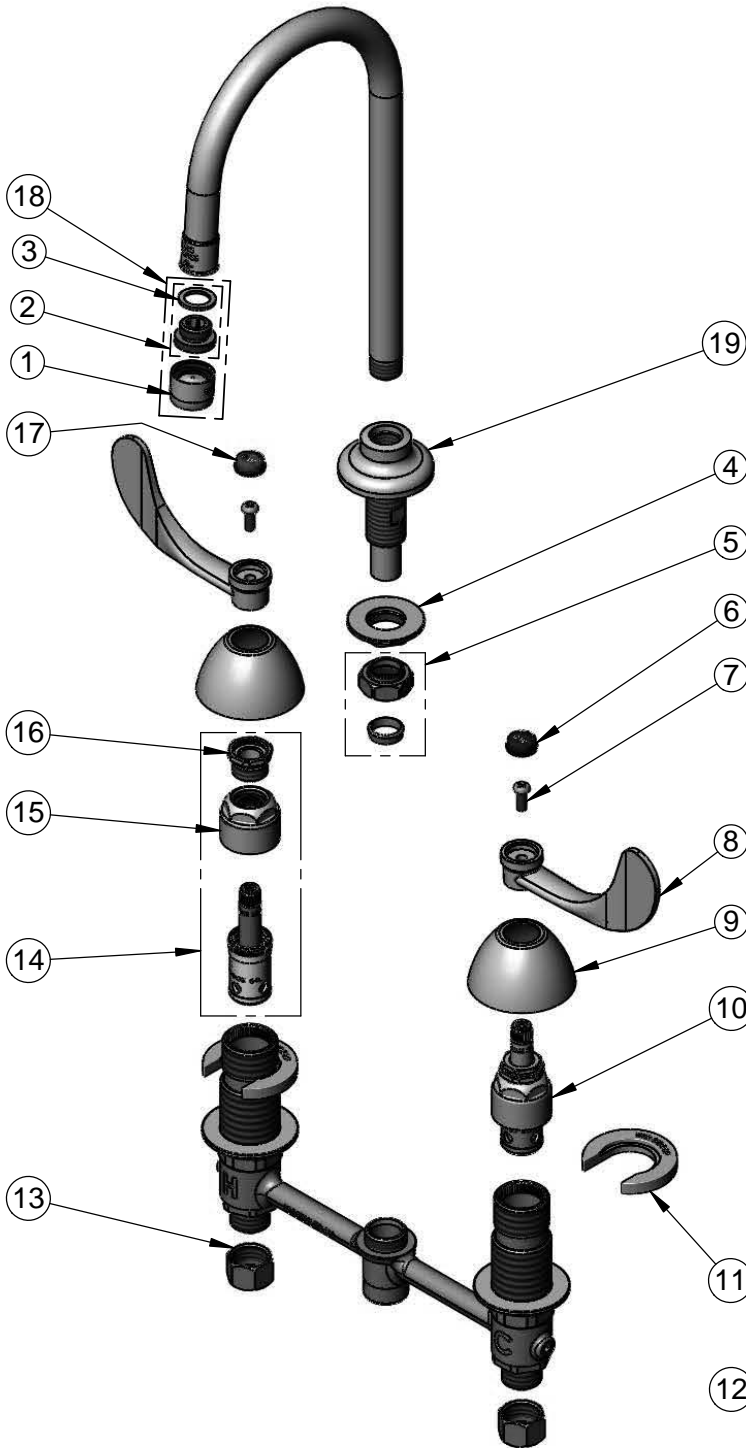


T&S BRASS AND BRONZE WORKS, INC.
 2 Saddleback Cove / P.O. Box 1088
 Travelers Rest, SC 29690

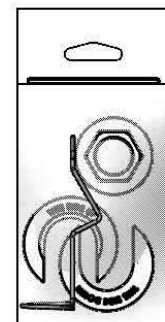
Model No.
B-2867-04-F05

Item No.

Travelers Rest, SC: 800-476-4103 • Simi Valley, CA: 800-423-0150 • Fax: 864-834-3518 • www.tsbrass.com



ITEM NO.	SALES NO.	DESCRIPTION
1	B-0199-01-N05	0.5 GPM Spray Device, 55/64-27 Female
2	044A	3/8" to Aerator Adapter
3	001043-45	Washer
4	016742-45	Center Flange Nut
5	016745-45	Compression Nut & Fitting
6	001686-45	Blue CW Index
7	000925-45	Lab Handle Screw
8	B-WH4	4" Wrist Action Handle
9	001257-40	Bell Escutcheon
10	016752-40	EasyInstall CWS LTC Eterna (Teflon)
11	016749-45	Sidebody C-Washer
12	016777-45	CWS Hanger
13	000958-20	Coupling Nut
14	016753-40	EasyInstall CWS RTC Eterna (Teflon)
15	016743-25	CWS Bonnet Assembly
16	009002-25	Packing Nut Assembly
17	001194-45	Red HW Index
18	B-0199-02-N05	0.5 GPM Spray Device Asm., 3/8" NPSM
19	016847-40	EasyInstall CWS Rigid Center Shank



017245-40
 Installation Repair Kit
 Includes #4, (2)#11, & #12

Product Specifications:
 EasyInstall Faucet w/ 4" Wrist Action Handles, Eterna Cartridges,
 8" Inlet Centers & Rigid Gooseneck w/ 0.5 GPM Non-Aerated
 Spray Device

Drawn JRM	Checked DMH	Approved JHB
Scale: NTS		Date: 06/21/12