

**T&S BRASS AND BRONZE WORKS, INC.**

2 Saddleback Cove / P.O. Box 1088  
Travelers Rest, SC 29690

Model No.

**B-2950**

Item No.

Travelers Rest, SC: 800-476-4103 • Simi Valley, CA: 800-423-0150 • Fax: 864-834-3518 • www.tsbrass.com

This Space for Architect/Engineer Approval

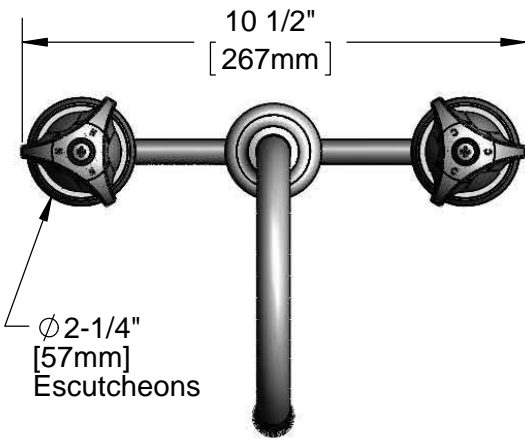
Job Name \_\_\_\_\_ Date \_\_\_\_\_

Model Specified \_\_\_\_\_ Quantity \_\_\_\_\_

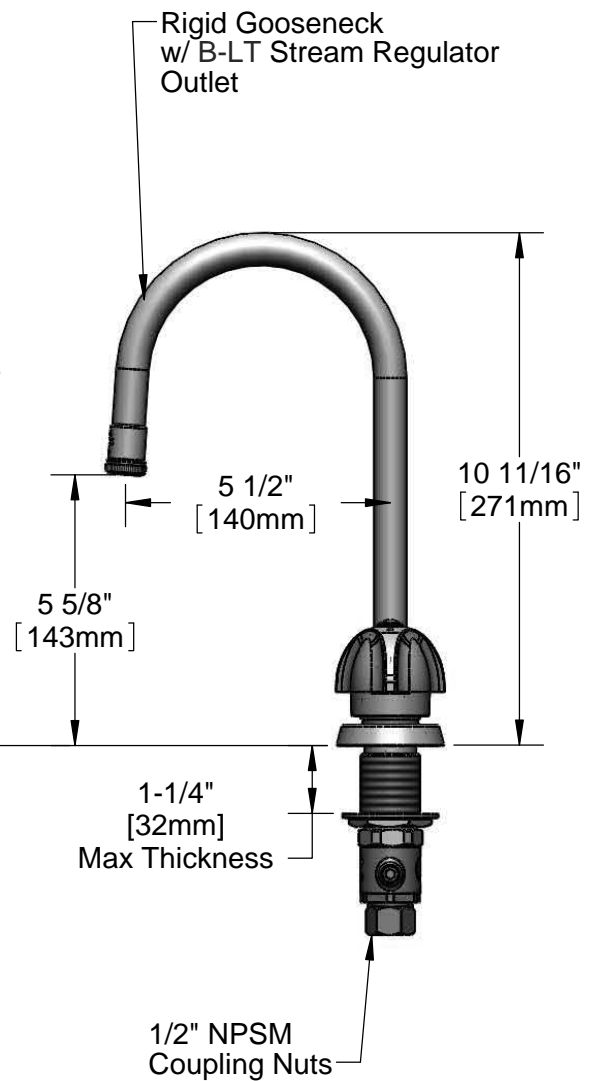
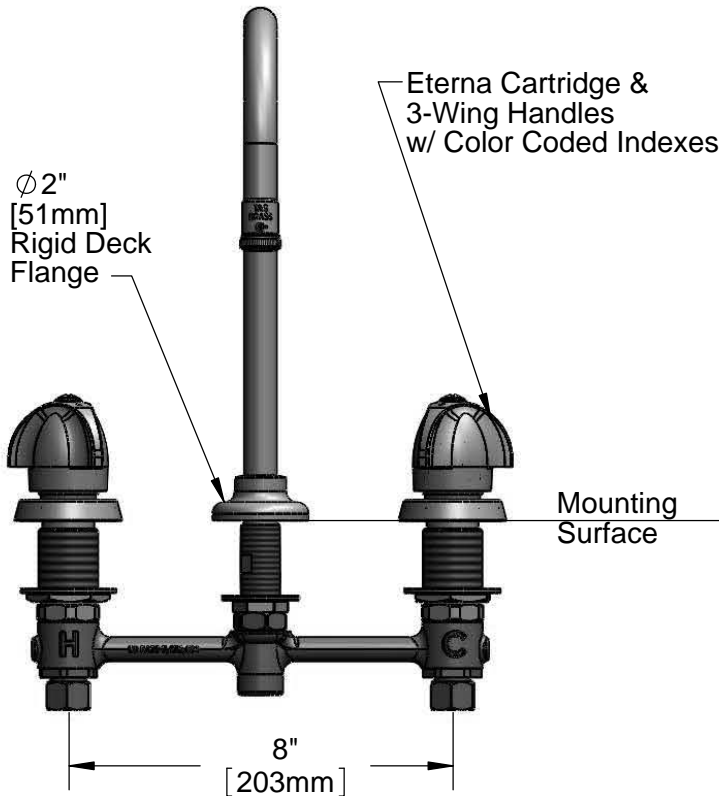
Customer/Wholesaler \_\_\_\_\_

Contractor \_\_\_\_\_

Architect/Engineer \_\_\_\_\_



**ADA Compliant**



**Rough-In Requirement:**  
 Ø 1" [25mm] for Center Shank  
 Ø 1-1/2" [38mm] for Hot/Cold Side

**Product Specifications:**  
 EasyInstall Faucet w/ 3-Wing Handles, 2 RTC Eterna Cartridges,  
 8" Inlet Centers, & Gooseneck w/ Stream Regulator Outlet

Drawn <b>JRM</b>	Checked <b>DMH</b>	Approved <b>JHB</b>
Scale: <b>1:4</b>		Date: <b>06/21/12</b>



# T&S BRASS AND BRONZE WORKS, INC.

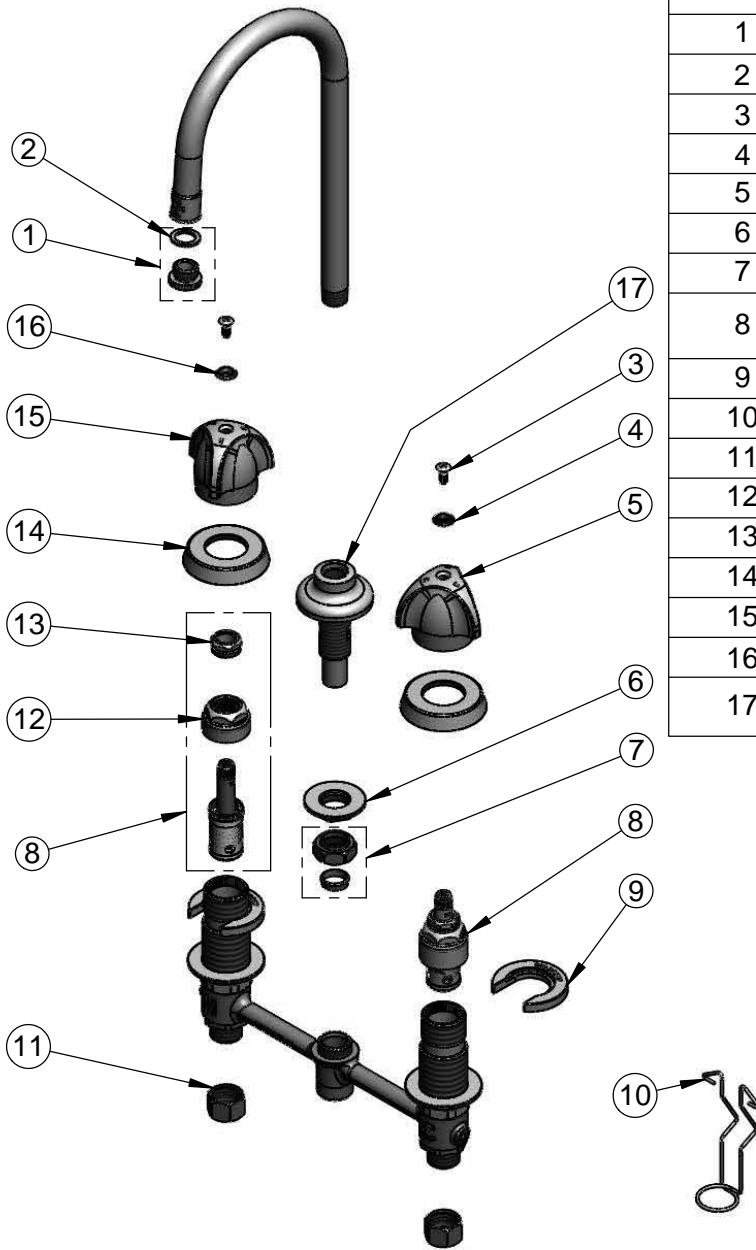
2 Saddleback Cove / P.O. Box 1088  
Travelers Rest, SC 29690

Model No.

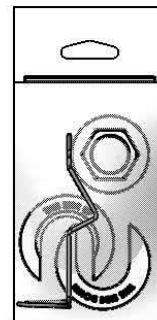
**B-2950**

Item No.

Travelers Rest, SC: 800-476-4103 • Simi Valley, CA: 800-423-0150 • Fax: 864-834-3518 • www.tsbrass.com



ITEM NO.	SALES NO.	DESCRIPTION
1	B-LT	Stream Regulator Outlet
2	001043-45	Washer
3	000922-45	Lever Handle Screw
4	001660-45	Blue Index-CW
5	001784-40	Lav. Handle, 3 Wing - Cold
6	016742-45	Center Flange Nut
7	016745-45	Compression Nut & Fitting
8	017327-40	CWS EasyInstall RTC Eterna (Teflon)
9	016749-45	Sidebody C-Washer
10	016777-45	CWS Hanger
11	000958-20	Coupling Nut
12	016743-25	CWS Bonnet Assembly
13	009002-25	Packing Nut Assembly
14	017292-45	Metering CWS Escutcheon
15	001783-40	Lav. Handle, 3 Wing - Hot
16	001661-45	Red Index-HW
17	016847-40	EasyInstall CWS Rigid Center Shank



017245-40  
Installation Repair Kit  
Includes #6, (2)#9, & #10

**Product Specifications:**

EasyInstall Faucet w/ 3-Wing Handles, 2 RTC Eterna Cartridges, 8" Inlet Centers, & Gooseneck w/ Stream Regulator Outlet

Drawn

JRM

Checked

DMH

Approved

JHB

Scale:

NTS

Date:

06/21/12