



T&S BRASS AND BRONZE WORKS, INC.

2 Saddleback Cove / P.O. Box 1088
Travelers Rest, SC 29690

Model No.

B-2971

Item No.

Travelers Rest, SC: 800-476-4103 • Simi Valley, CA: 800-423-0150 • Fax: 864-834-3518 • www.tsbrass.com



ADA Compliant

This Space for Architect/Engineer Approval

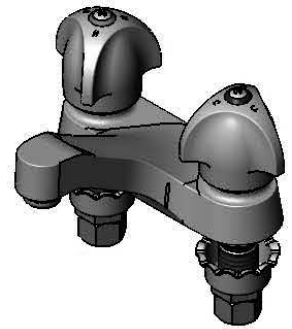
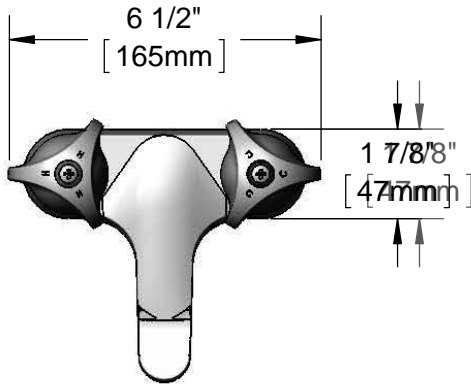
Job Name _____ Date _____

Model Specified _____ Quantity _____

Customer/Wholesaler _____

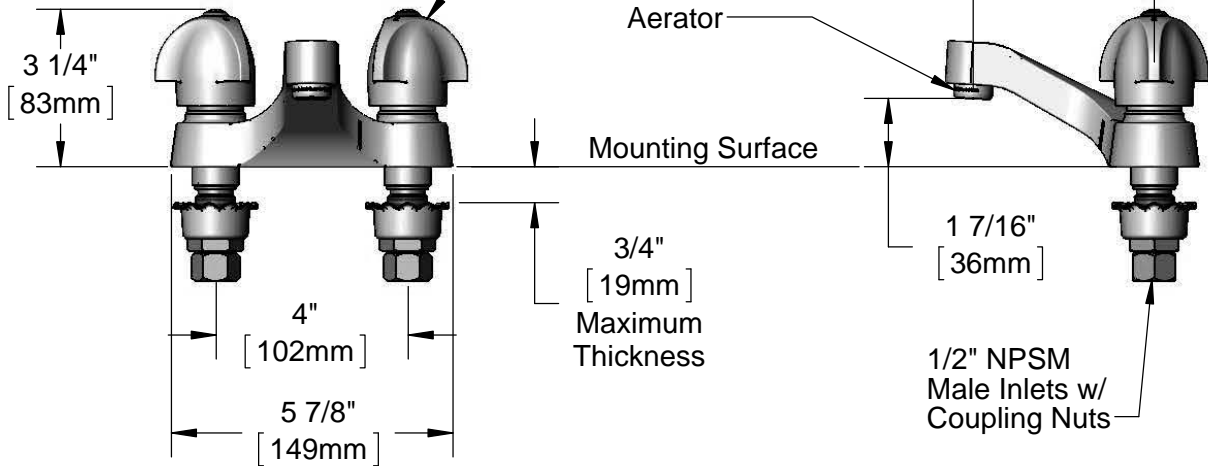
Contractor _____

Architect/Engineer _____



Eterna Cartridges &
3-Wing Dome Handles
w/ Colored Coded Indexes

2.2 GPM
Aerator



Mounting Surface

3/4"
[19mm]
Maximum
Thickness

1/2" NPSM
Male Inlets w/
Coupling Nuts

Rough-In Requirement:
(2) ϕ 1" [25mm] Mounting Holes

Product Specifications:
4" Centerset Deck Mount Faucet, Eterna Cartridges, 3-Wing Dome Handles,
2.2 GPM Aerator & 1/2" NPSM Male Inlets w/ Coupling Nuts

Product Compliance:
NSF 61 - Section 9
NSF 372 (Low Lead Content)
ANSI A117.1 (ADA)



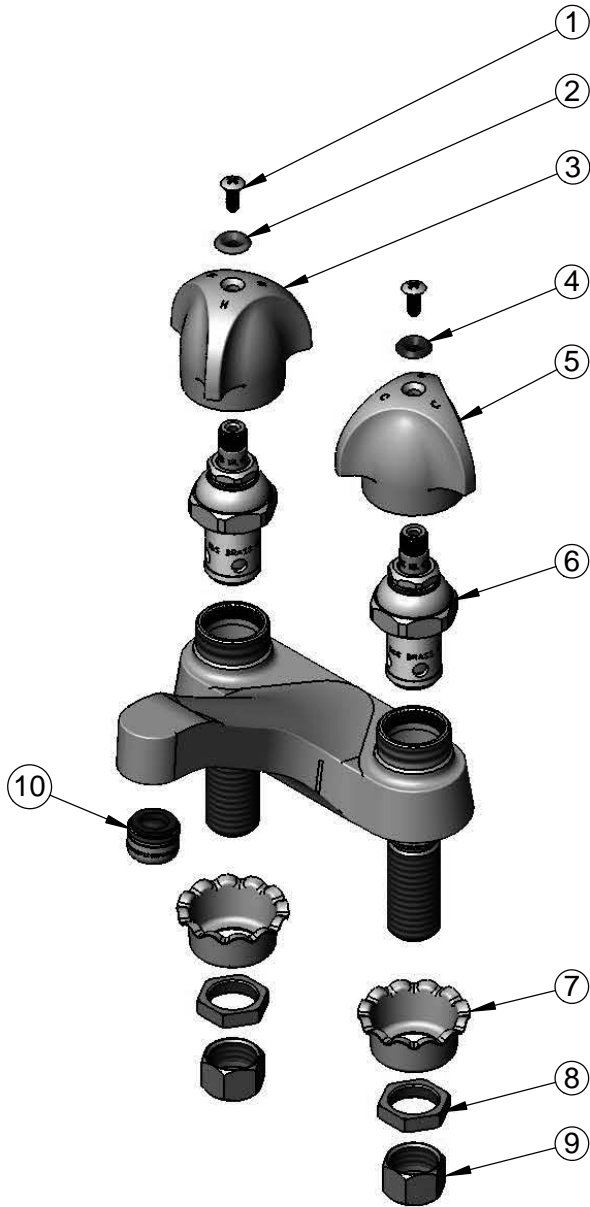
T&S BRASS AND BRONZE WORKS, INC.
 2 Saddleback Cove / P.O. Box 1088
 Travelers Rest, SC 29690

Model No.
B-2971

Item No.

Travelers Rest, SC: 800-476-4103 • Simi Valley, CA: 800-423-0150 • Fax: 864-834-3518 • www.tsbrass.com

ITEM NO.	SALES NO.	DESCRIPTION
1	000922-45	Lever Handle Screw
2	001661-45	Red Index-HW
3	001783-40	Lavatory Handle, 3-Wing - Hot
4	001660-45	Blue Index-CW
5	001784-40	Lavatory Handle, 3-Wing - Cold
6	005960-40	Eterna Cartridge, RTC
7	001000-45	Rosette Washer
8	002954-45	Shank Lock Nut
9	000958-20	Coupling Nut
10	B-0199-03	2.2 GPM Aerator



Product Specifications:
 4" Centerset Deck Mount Faucet, Eterna Cartridges, 3-Wing Dome Handles,
 2.2 GPM Aerator & 1/2" NPSM Male Inlets w/ Coupling Nuts

Product Compliance:
 NSF 61 - Section 9
 NSF 372 (Low Lead Content)
 ANSI A117.1 (ADA)