



T&S BRASS AND BRONZE WORKS, INC.

2 Saddleback Cove / P.O. Box 1088
Travelers Rest, SC 29690



REG. #A2601
ISO #9001

Model No.

B-2990-180F

Item No.

Travelers Rest, SC: 800-476-4103 Simi Valley, CA: 800-423-0150 Fax: 864-834-3518 www.tsbrass.com

This Space for Architect/Engineer Approval

Job Name _____ Date _____

Model Specified _____ Quantity _____

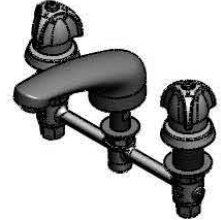
Customer/Wholesaler _____

Contractor _____

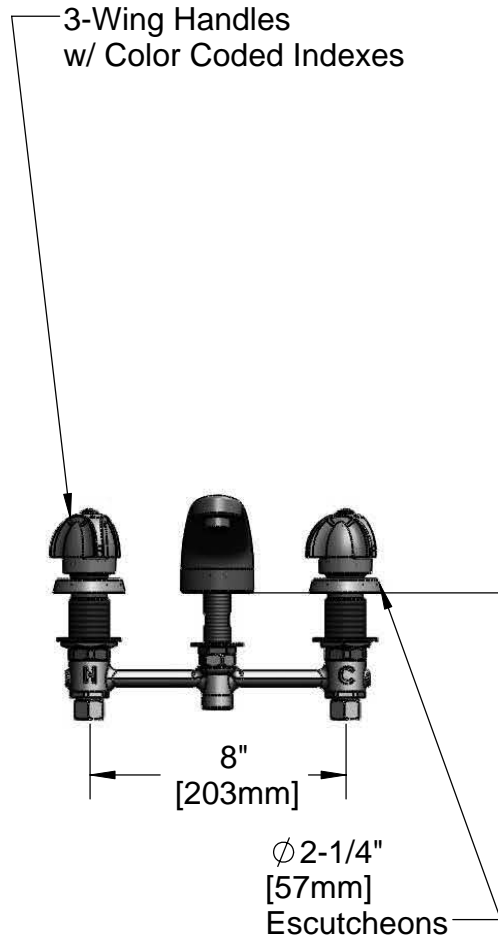
Architect/Engineer _____



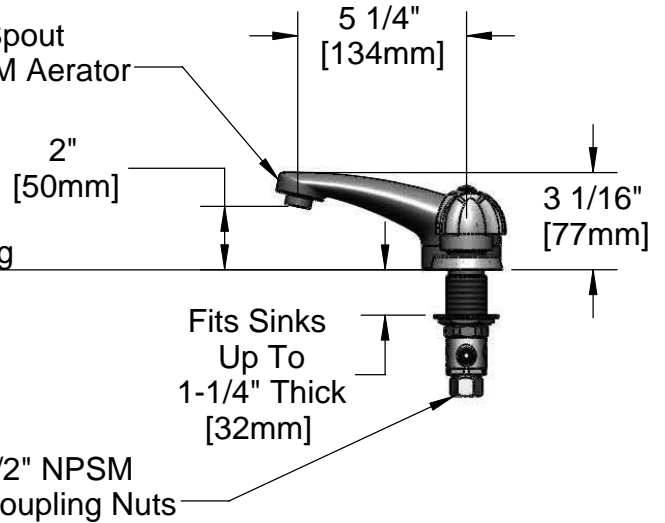
ADA Compliant



3-Wing Handles
w/ Color Coded Indexes



Lavatory Spout
w/ 2.2 GPM Aerator



Note: Rough-In Required:

Ø 1" [25mm] for Center Shank

Ø 1-1/2" [38mm] for Hot/Cold Side [1-1/4" [32mm] Minimum]

Product Specifications:

**EasyInstall Faucet w/3-Wing Handles,
2 'Hot' Compression Cartridges, 8" Inlet Centers,
Lavatory Spout w/ 2.2 GPM Aerator**

Drawn
JRM

Checked
GEF

Approved
JHB

Scale:

NTS

Date:

12/08/08



T&S BRASS AND BRONZE WORKS, INC.

2 Saddleback Cove / P.O. Box 1088
Travelers Rest, SC 29690



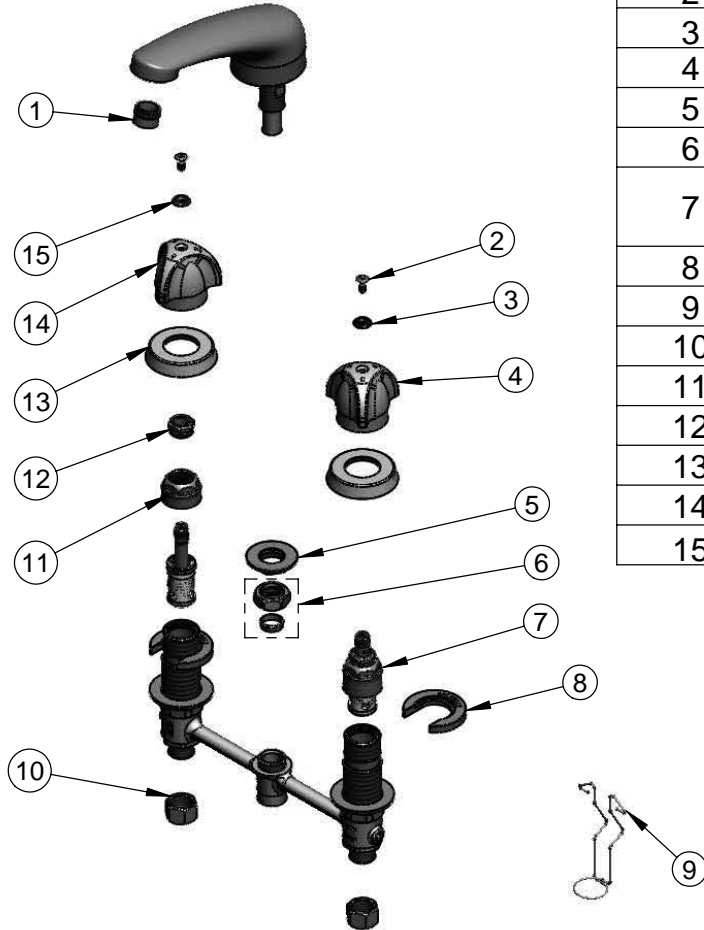
REG. #A2601
ISO #9001

Model No.

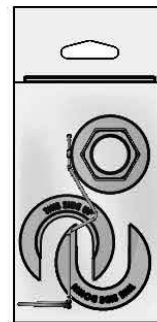
B-2990-180F

Item No.

Travelers Rest, SC: 800-476-4103 Simi Valley, CA: 800-423-0150 Fax: 864-834-3518 www.tsbrass.com



| ITEM NO. | SALES NO. | DESCRIPTION |
|----------|-----------|---|
| 1 | B-0199-03 | 2.2 GPM Aerator |
| 2 | 000922-45 | Lever Handle Screw |
| 3 | 001660-45 | Blue Index-CW |
| 4 | 001784-40 | Lav. Handle, 3 Wing - Cold |
| 5 | 016742-45 | Center Flange Nut |
| 6 | 016745-45 | Compression Nut & Fitting |
| 7 | 017327-40 | CWS EasyInstall RTC Eterna (Teflon) -Short Bonnet |
| 8 | 016749-45 | Sidebody C-Washer |
| 9 | 016777-45 | CWS Hanger |
| 10 | 000958-20 | Coupling Nut |
| 11 | 016743-25 | CWS Bonnet Assembly |
| 12 | 009002-25 | Packing Nut Assembly |
| 13 | 017292-45 | Metering CWS Escutcheon |
| 14 | 001783-40 | Lav. Handle, 3 Wing - Hot |
| 15 | 001661-45 | Red Index-HW |



017245-40
Installation Repair Kit
Includes #5, (2)#8, & #9

Product Specifications:

EasyInstall Faucet w/3-Wing Handles,
2 'Hot' Compression Cartridges, 8" Inlet Centers,
Lavatory Spout w/ 2.2 GPM Aerator

| | | |
|----------------------|-----------------------|--------------------------|
| Drawn JRM | Checked GEF | Approved JHB |
| Scale: NTS | | Date: 12/08/08 |