



T&S BRASS AND BRONZE WORKS, INC.

2 Saddleback Cove / P.O. Box 1088
Travelers Rest, SC 29690



REG. #A2601
ISO #9001

Model No.
B-2990-WH4-WS

Item No.

Travelers Rest, SC: 800-476-4103 Simi Valley, CA: 800-423-0150 Fax: 864-834-3518 www.tsbrass.com

This Space for Architect/Engineer Approval

Job Name _____ Date _____

Model Specified _____ Quantity _____

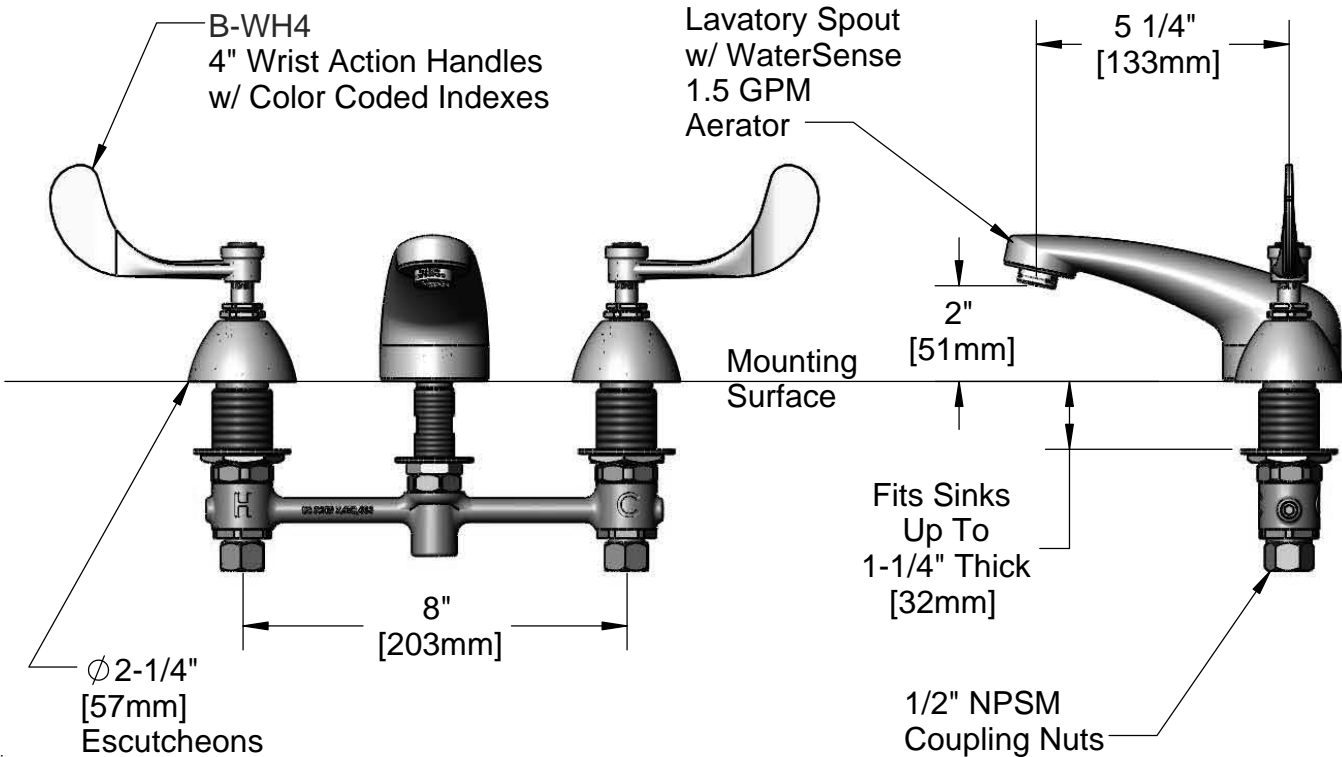
Customer/Wholesaler _____

Contractor _____

Architect/Engineer _____



ADA Compliant



Note: Rough-In Required:
 Ø 1" [25mm] for Center Shank
 Ø 1-1/2" [38mm] for Hot/Cold Side [1-1/4" [32mm] Minimum]

Product Specifications:
EasyInstall Faucet w/ 4" Wrist Action Handles, Compression Cartridges, 8" Inlet Centers & Lavatory Spout w/ 1.5 GPM Male Aerator

Drawn KJG	Checked GEF	Approved JHB
Scale: 1:4	Date: 06/16/11	



T&S BRASS AND BRONZE WORKS, INC.

2 Saddleback Cove / P.O. Box 1088
Travelers Rest, SC 29690



REG. #A2601
ISO #9001

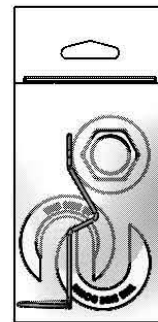
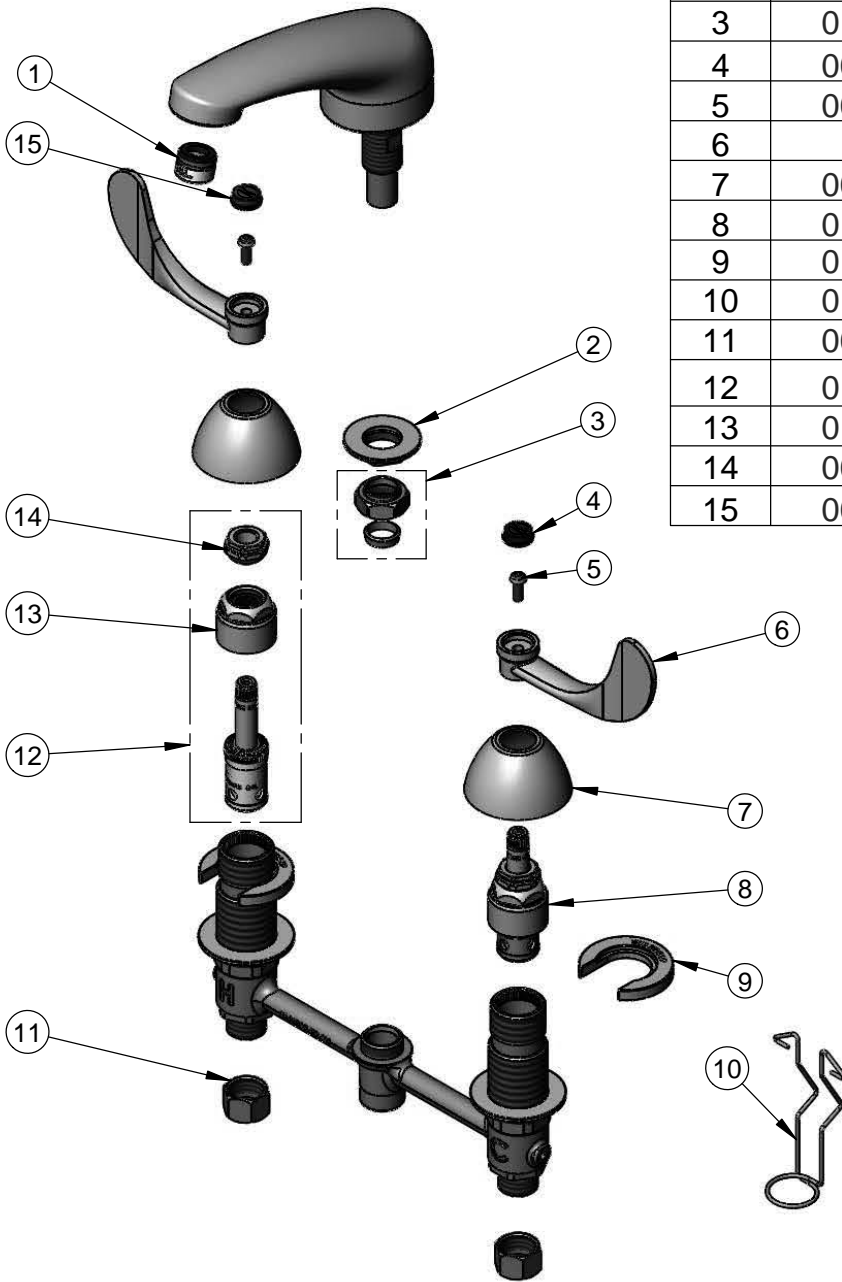
Model No.

B-2990-WH4-WS

Item No.

Travelers Rest, SC: 800-476-4103 Simi Valley, CA: 800-423-0150 Fax: 864-834-3518 www.tsbrass.com

ITEM NO.	SALES NO.	DESCRIPTION
1	B-0199-03-WS	1.5 GPM Aerator, 13/16-27 Male
2	016742-45	Center Flange Nut
3	016745-45	Compression Nut & Fitting
4	001686-45	Blue CW Index
5	000925-45	Lab Handle Screw
6	B-WH4	4" Wrist Action Handle
7	001257-40	Bell Escutcheon
8	016752-40	EZ-Install LTC Eterna (Teflon)
9	016749-45	Sidebody C-Washer
10	016777-45	CWS Hanger
11	000958-20	Coupling Nut
12	016753-40	EZ-Install RTC Eterna (Teflon)
13	016743-25	CWS Bonnet Assembly
14	009002-25	Packing Nut Assembly
15	001194-45	Red HW Index



017245-40
Installation Repair Kit
Includes #2, (2)#9, & #10

Product Specifications:

EasyInstall Faucet w/ 4" Wrist Action Handles,
Compression Cartridges, 8" Inlet Centers &
Lavatory Spout w/ 1.5 GPM Male Aerator

Drawn KJG	Checked GEF	Approved JHB
Scale: NTS		Date: 06/16/11