



T&S BRASS AND BRONZE WORKS, INC.

2 Saddleback Cove / P.O. Box 1088
Travelers Rest, SC 29690

Model No.

B-2990-WH4

Item No.

Travelers Rest, SC: 800-476-4103 • Simi Valley, CA: 800-423-0150 • Fax: 864-834-3518 • www.tsbrass.com



ADA Compliant

This Space for Architect/Engineer Approval

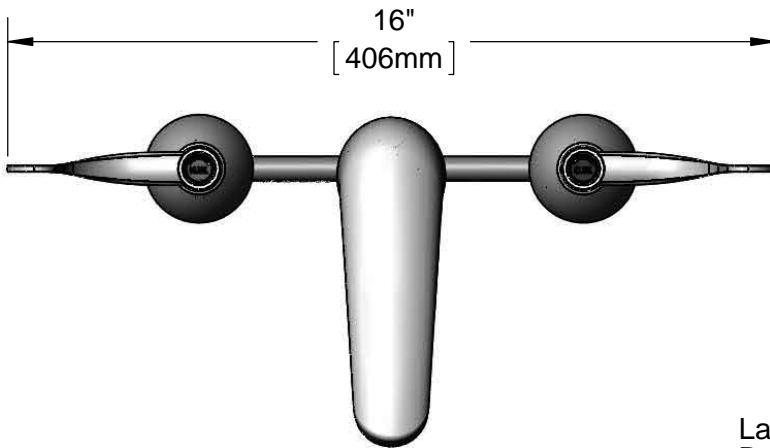
Job Name _____ Date _____

Model Specified _____ Quantity _____

Customer/Wholesaler _____

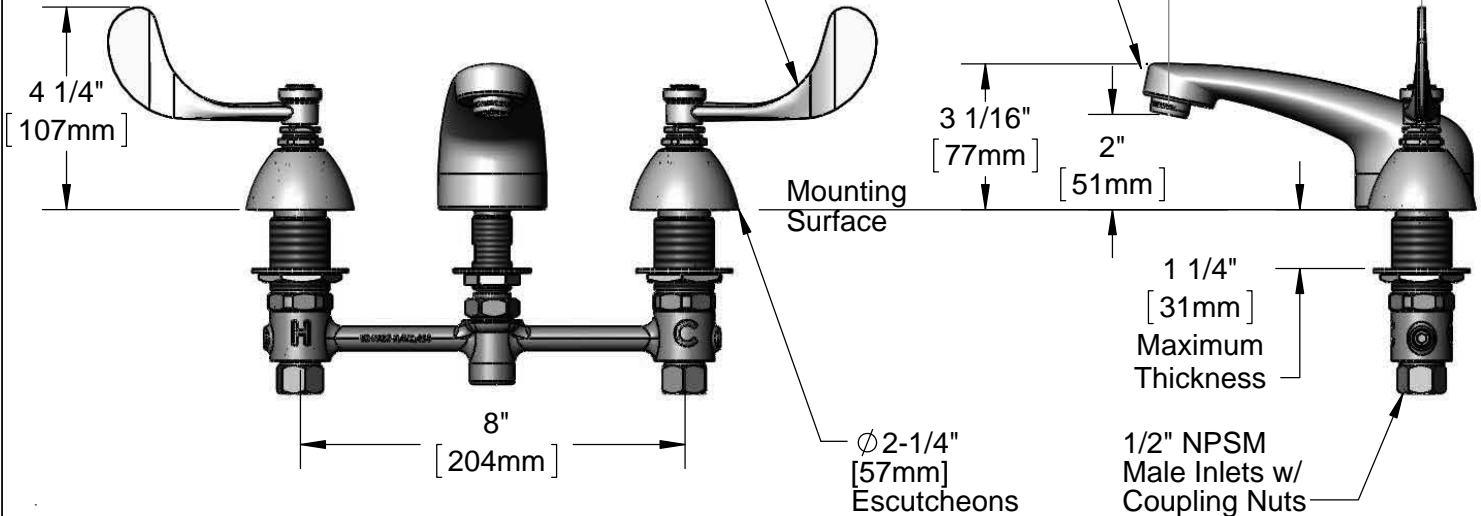
Contractor _____

Architect/Engineer _____



Lavatory Spout w/
B-0199-03
2.2 GPM Aerator

Eterna Cartridges &
4" Wrist Action Handles
w/ Color Coded Indexes



Rough-In Requirement:
Center Shank: ϕ 1" [25mm] Mounting Hole
Hot/Cold Side: ϕ 1 1/2" [38mm] Mounting Holes

Product Specifications:
8" Deck Mount EasyInstall Lavatory Faucet, Eterna Cartridges, 4" Wrist Action Handles, Lavatory Spout w/ 2.2 GPM Aerator & 1/2" NPSM Male Inlets

Product Compliance:
ASME A112.18.1 / CSA B125.1
NSF 61 - Section 9
NSF 372 (Low Lead Content)
ANSI A117.1 (ADA)



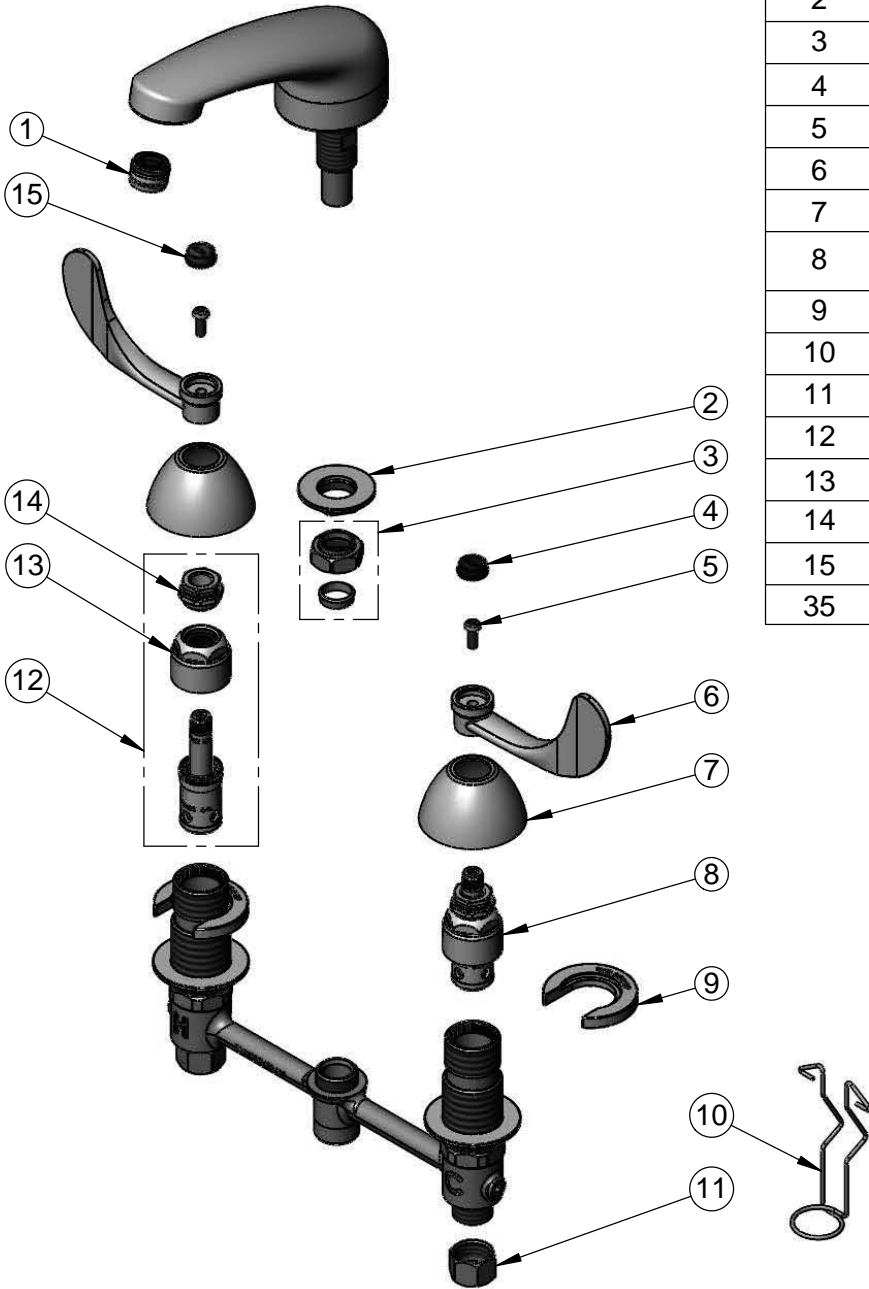
T&S BRASS AND BRONZE WORKS, INC.
 2 Saddleback Cove / P.O. Box 1088
 Travelers Rest, SC 29690

Model No.
B-2990-WH4

Item No.

Travelers Rest, SC: 800-476-4103 • Simi Valley, CA: 800-423-0150 • Fax: 864-834-3518 • www.tsbrass.com

ITEM NO.	SALES NO.	DESCRIPTION
1	B-0199-03	2.2 GPM Aerator, 13/16-27 UN Male
2	016742-45	Center Flange Nut
3	016745-45	Compression Nut & Fitting
4	001686-45	Blue Index - CW
5	000925-45	Lab Handle Screw
6	B-WH4	4" Wrist Action Handle
7	001257-40	Bell Escutcheon
8	016752-40	EasyInstall CWS LTC Eterna (Teflon)
9	016749-45	Sidebody C-Washer
10	016777-45	CWS Hanger
11	000958-20	Coupling Nut
12	016753-40	EasyInstall CWS RTC (Teflon)
13	016743-25	CWS Bonnet
14	009002-25	Packing Nut
15	001194-45	Red Index - HW
35		



017245-40
 Installation Repair Kit
 Includes #2, (2)#9, & #10

Product Specifications:
 8" Deck Mount EasyInstall Lavatory Faucet, Eterna Cartridges, 4" Wrist Action Handles, Lavatory Spout w/ 2.2 GPM Aerator & 1/2" NPSM Male Inlets

Product Compliance:
 ASME A112.18.1 / CSA B125.1
 NSF 61 - Section 9
 NSF 372 (Low Lead Content)
 ANSI A117.1 (ADA)