



T&S BRASS AND BRONZE WORKS, INC.

2 Saddleback Cove / P.O. Box 1088
Travelers Rest, SC 29690

Model No.

B-2991-FSC

Item No.

Travelers Rest, SC: 800-476-4103 • Simi Valley, CA: 800-423-0150 • Fax: 864-834-3518 • www.tsbrass.com

This Space for Architect/Engineer Approval

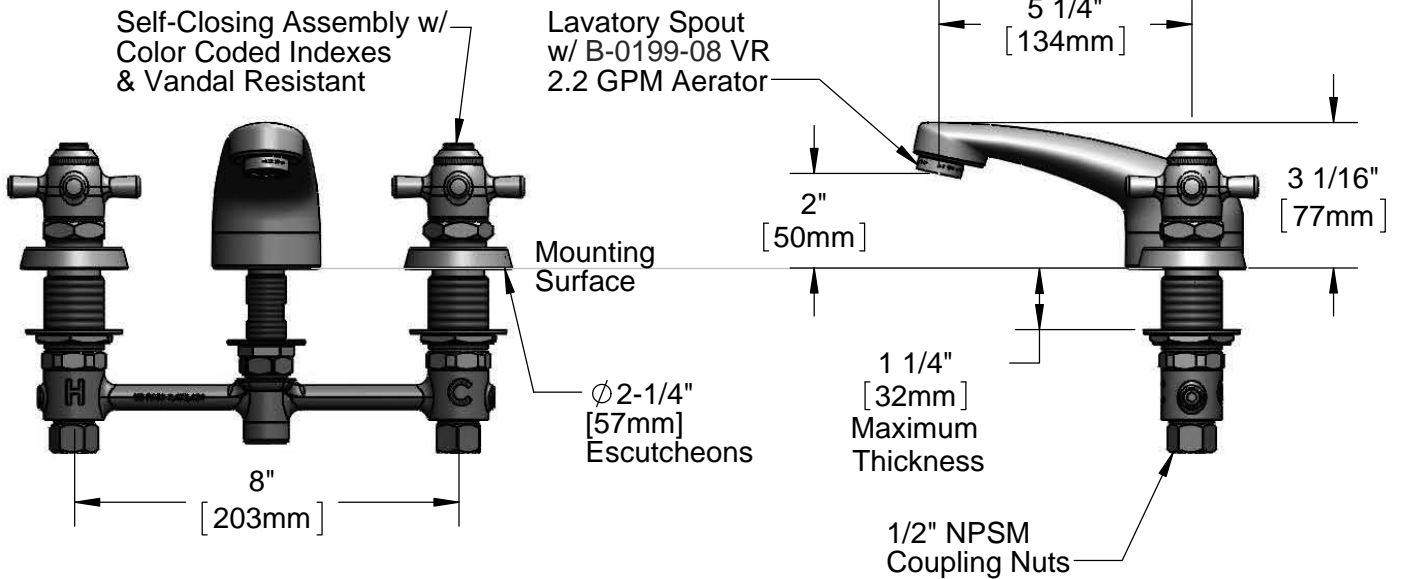
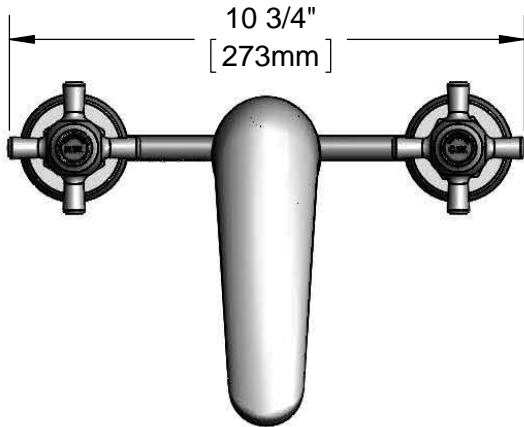
Job Name _____ Date _____

Model Specified _____ Quantity _____

Customer/Wholesaler _____

Contractor _____

Architect/Engineer _____



Rough-In Requirement:

Ø 1" [25mm] for Center Shank

Ø 1-1/2" [38mm] for Hot/Cold Side (Ø 1-1/4" [32mm] Minimum)

Product Specifications:

EasyInstall CWS Faucet, Fast Self-Closing Assembly, Cast Spout w/ Vandal Resistant Aerator & 8" c/c Inlets

Product Compliance:

ASME A112.18.1 / CSA B125.1
NSF 61 - Section 9
NSF 372 (Low Lead Content)



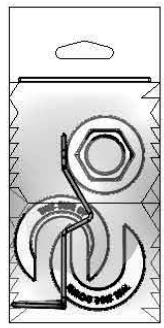
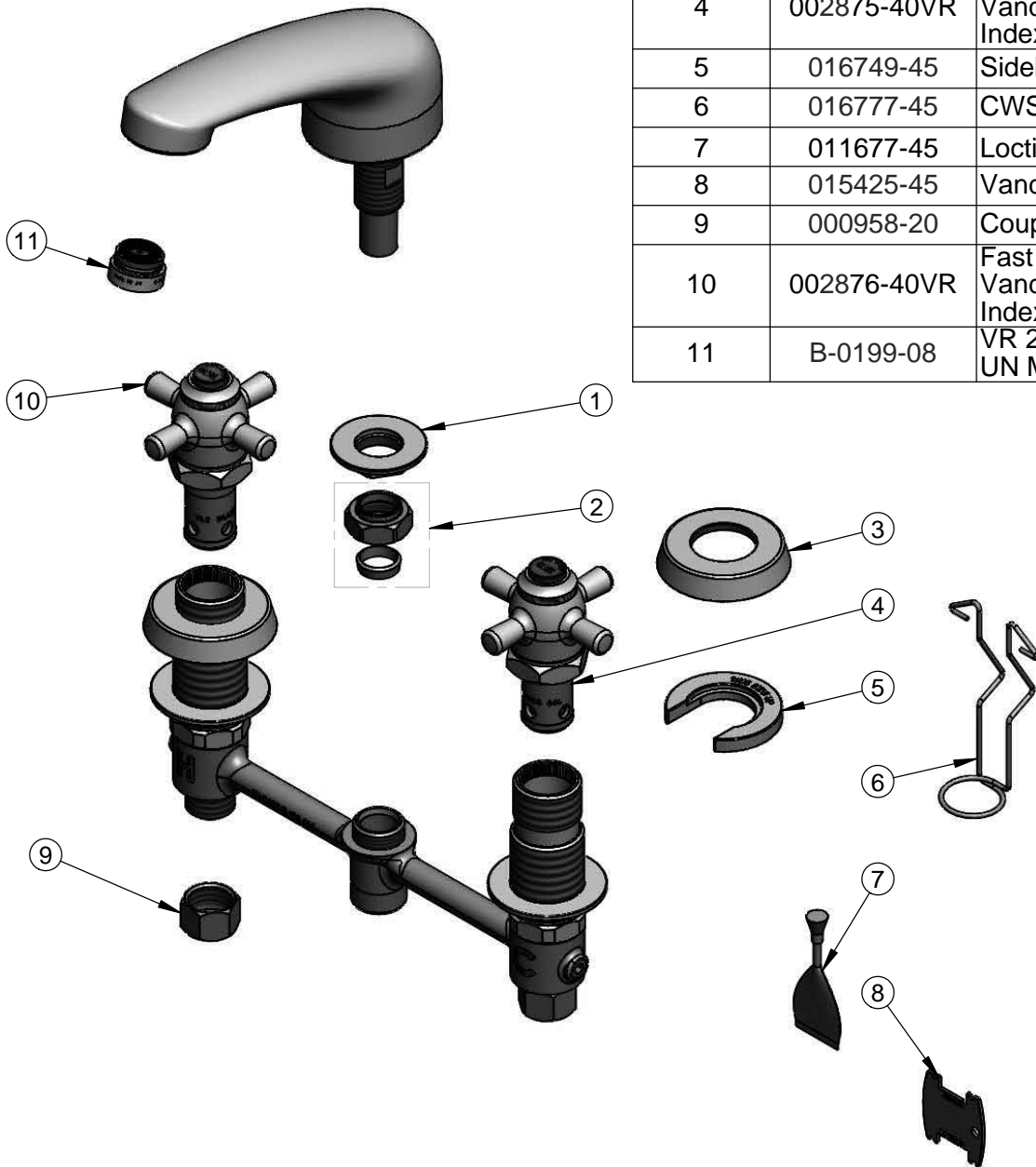
T&S BRASS AND BRONZE WORKS, INC.
 2 Saddleback Cove / P.O. Box 1088
 Travelers Rest, SC 29690

Model No.
B-2991-FSC

Item No.

Travelers Rest, SC: 800-476-4103 • Simi Valley, CA: 800-423-0150 • Fax: 864-834-3518 • www.tsbrass.com

ITEM NO.	SALES NO.	DESCRIPTION
1	016742-45	Center Flange Nut
2	016745-45	Compression Nut & Fitting
3	017292-45	Metering CWS Escutcheon
4	002875-40VR	Fast Self-Closing Assembly, Vandal Resistant w/ Cold Water Index
5	016749-45	Sidebody C-Washer
6	016777-45	CWS Hanger
7	011677-45	Loctite 680
8	015425-45	Vandal Resistant Key
9	000958-20	Coupling Nut
10	002876-40VR	Fast Self-Closing Assembly, Vandal Resistant w/ Hot Water Index
11	B-0199-08	VR 2.2 GPM Aerator, 13/16-27 UN Male w/ Key



017245-40
 Installation Repair Kit
 Includes #1, (2)#5, & #6

Product Specifications:
 EasyInstall CWS Faucet, Fast Self-Closing Assembly, Cast Spout w/
 Vandal Resistant Aerator & 8" c/c Inlets

Product Compliance:
 ASME A112.18.1 / CSA B125.1
 NSF 61 - Section 9
 NSF 372 (Low Lead Content)