



T&S BRASS AND BRONZE WORKS, INC.

2 Saddleback Cove / P.O. Box 1088
Travelers Rest, SC 29690

Model No.

B-2991-WA

Item No.

Travelers Rest, SC: 800-476-4103 • Simi Valley, CA: 800-423-0150 • Fax: 864-834-3518 • www.tsbrass.com

This Space for Architect/Engineer Approval

Job Name _____ Date _____

Model Specified _____ Quantity _____

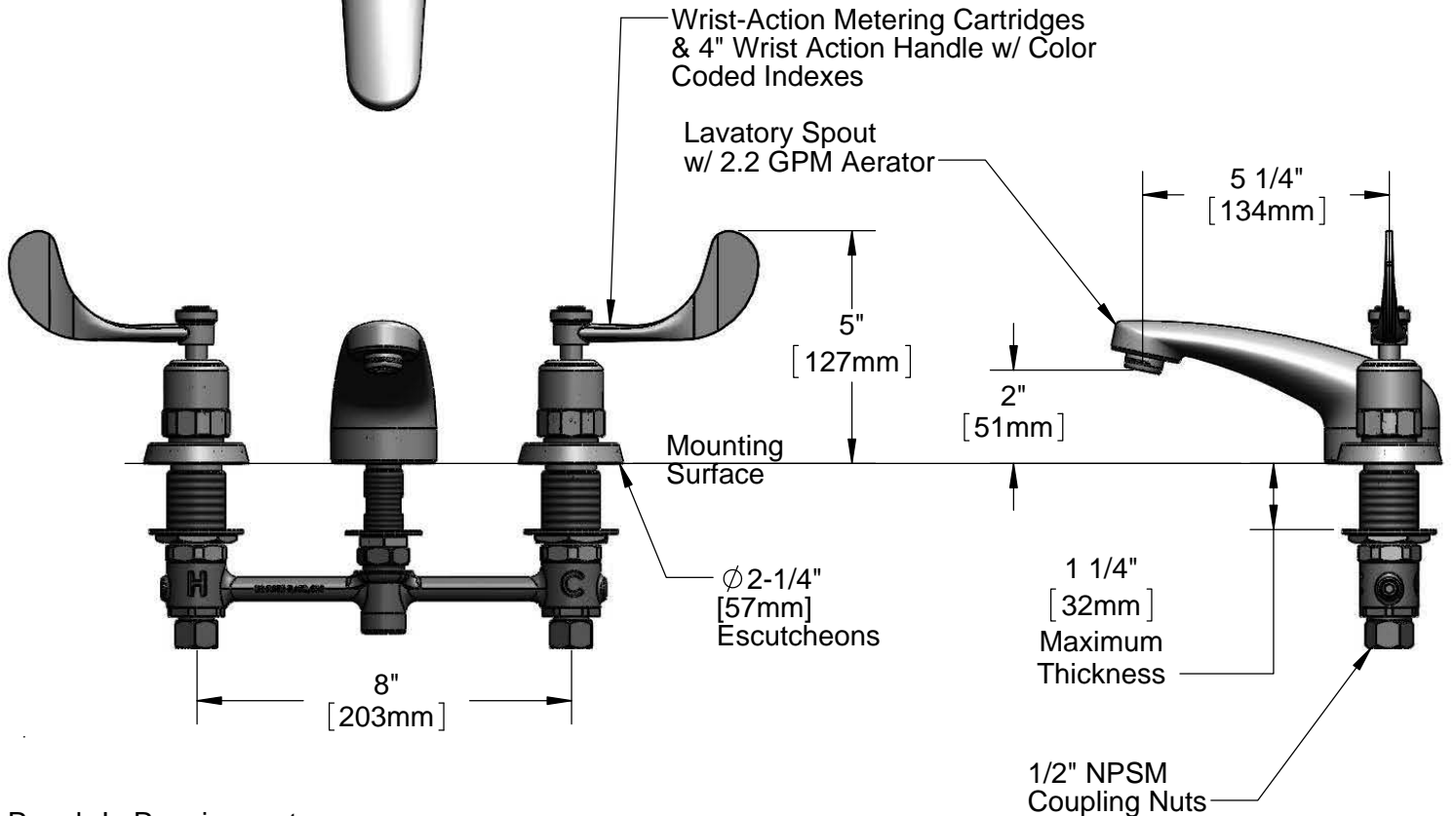
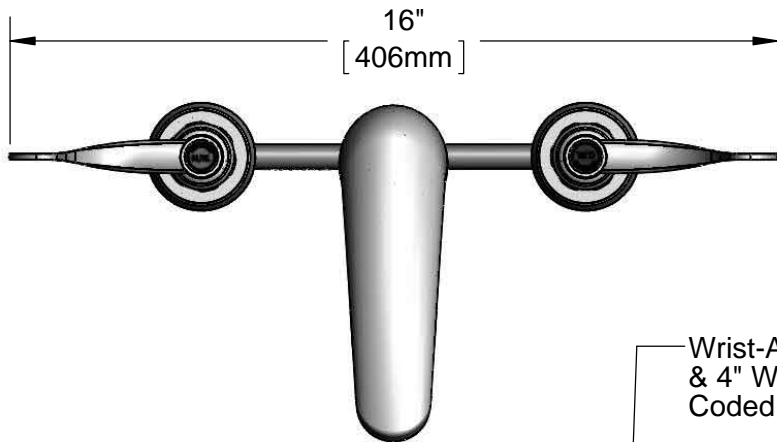
Customer/Wholesaler _____

Contractor _____

Architect/Engineer _____



ADA Compliant



Rough-In Requirement:
Ø 1" [25mm] for Center Shank
Ø 1-1/2" [38mm] for Hot/Cold Side

Product Specifications:
EasyInstall CWS Faucet w/ 4" Wrist Action Handles, Wrist-Action Metering Cartridges, 8" Inlet Centers & Cast Spout w/ 2.2 GPM Aerator

Drawn
KJG

Checked
JRM

Approved
JHB

Scale:
1:4

Date:
09/20/12



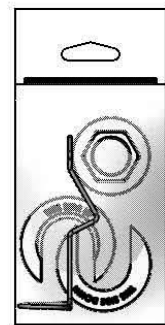
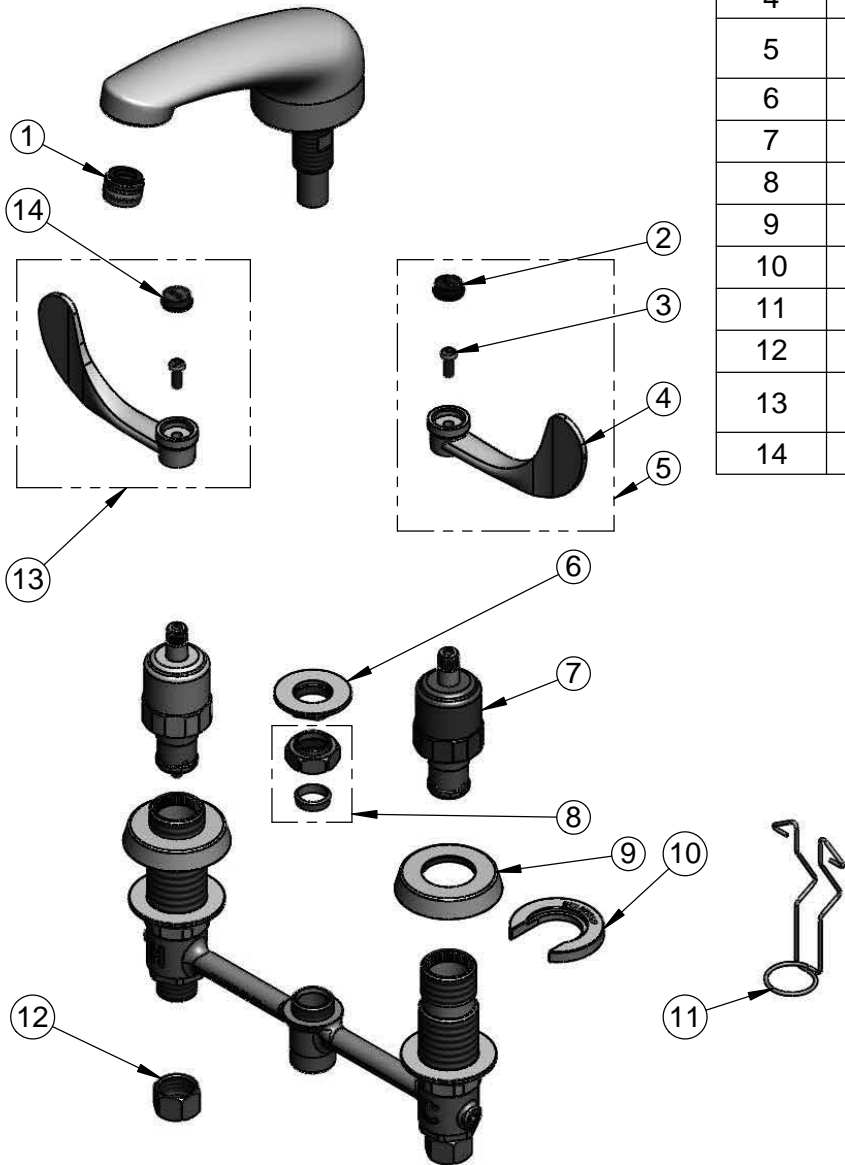
T&S BRASS AND BRONZE WORKS, INC.
 2 Saddleback Cove / P.O. Box 1088
 Travelers Rest, SC 29690

Model No.
B-2991-WA

Item No.

Travelers Rest, SC: 800-476-4103 • Simi Valley, CA: 800-423-0150 • Fax: 864-834-3518 • www.tsbrass.com

ITEM NO.	SALES NO.	DESCRIPTION
1	B-0199-03	2.2 GPM Aerator, 13/16"-27UN Male
2	001686-45	Blue CW Index
3	000925-45	Lab Handle Screw
4	B-WH4	4" Wrist Action Handle
5	B-WH4C	4" Wrist Action Handle, Screw & Cold Index
6	016742-45	Center Flange Nut
7	012449-40	Wrist-Action Metering Cartridge
8	016745-45	Compression Nut & Fitting
9	017292-45	Metering CWS Escutcheon
10	016749-45	Sidebody C-Washer
11	016777-45	CWS Hanger
12	000958-20	Coupling Nut
13	B-WH4H	4" Wrist Action Handle, Screw & Hot Index
14	001194-45	Red HW Index



017245-40
 Installation Repair Kit
 Includes #6, (2)#10, & #11

Product Specifications:
 EasyInstall CWS Faucet w/ 4" Wrist Action Handles, Wrist-Action Metering Cartridges, 8" Inlet Centers & Cast Spout w/ 2.2 GPM Aerator

Drawn KJG	Checked JRM	Approved JHB
---------------------	-----------------------	------------------------

Scale: NTS	Date: 09/20/12
----------------------	--------------------------