



# T&S BRASS AND BRONZE WORKS, INC.

2 Saddleback Cove / P.O. Box 1088  
Travelers Rest, SC 29690



REG. #A2601  
ISO #9001

Model No.

**B-2991-WH4**

Item No.

Travelers Rest, SC: 800-476-4103 Simi Valley, CA: 800-423-0150 Fax: 864-834-3518 www.tsbrass.com

This Space for Architect/Engineer Approval

Job Name \_\_\_\_\_ Date \_\_\_\_\_

Model Specified \_\_\_\_\_ Quantity \_\_\_\_\_

Customer/Wholesaler \_\_\_\_\_

Contractor \_\_\_\_\_

Architect/Engineer \_\_\_\_\_

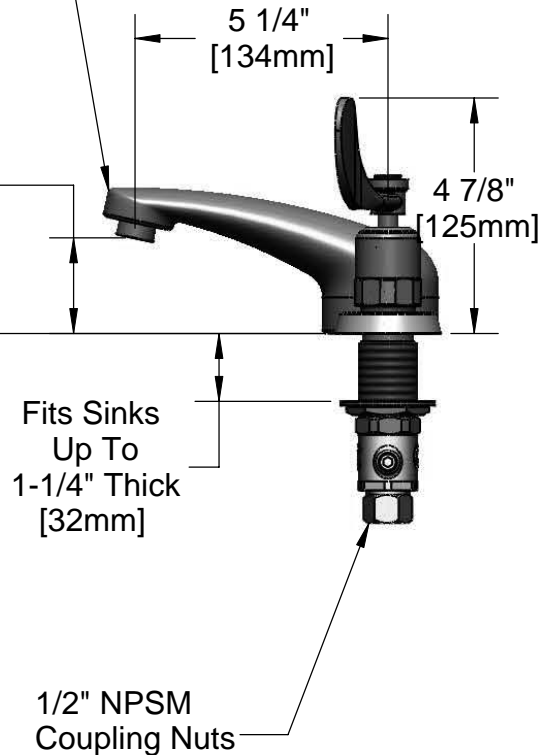
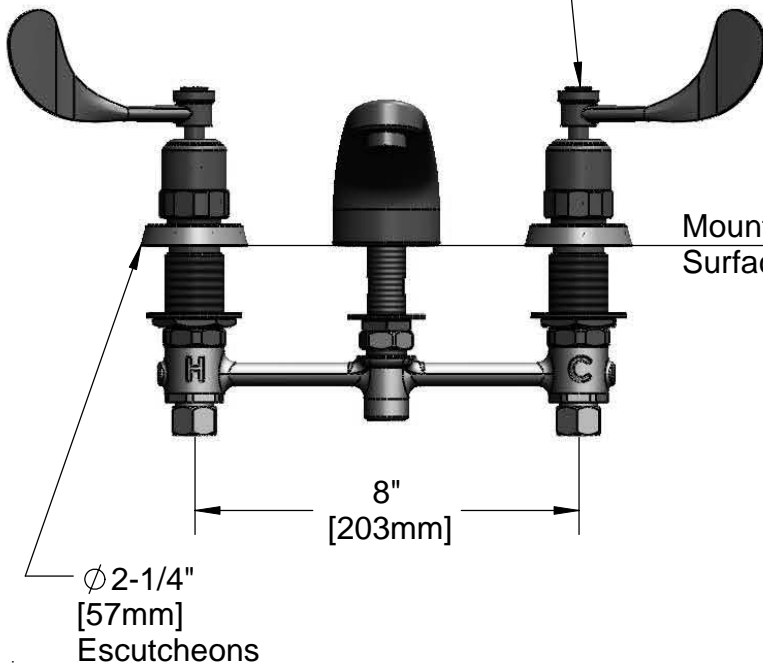


**ADA Compliant**



Lavatory Spout  
w/ B-0199-03  
2.2 GPM Male Aerator

B-WH4  
Wrist Action Handle  
w/ Color-Coded Indexes



Note: Rough-In Required:  
Ø 1" [25mm] for Center Shank  
Ø 1-1/2" [38mm] for Hot/Cold Side [1-1/4" [32mm] Minimum]

Product Specifications:

**EasyInstall CWS Faucet w/ 4" Wrist Action Handles, Slow-Close Metering Cartridges, 8" Inlet Centers, Cast Spout w/ 2.2 GPM Aerator**

Drawn  
**JRM**

Checked  
**GEF**

Approved  
**JHB**

Scale:

**NTS**

Date:

**12/08/08**



**T&S BRASS AND BRONZE WORKS, INC.**

2 Saddleback Cove / P.O. Box 1088  
Travelers Rest, SC 29690



REG. #A2601  
ISO #9001

Model No.

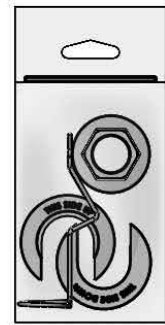
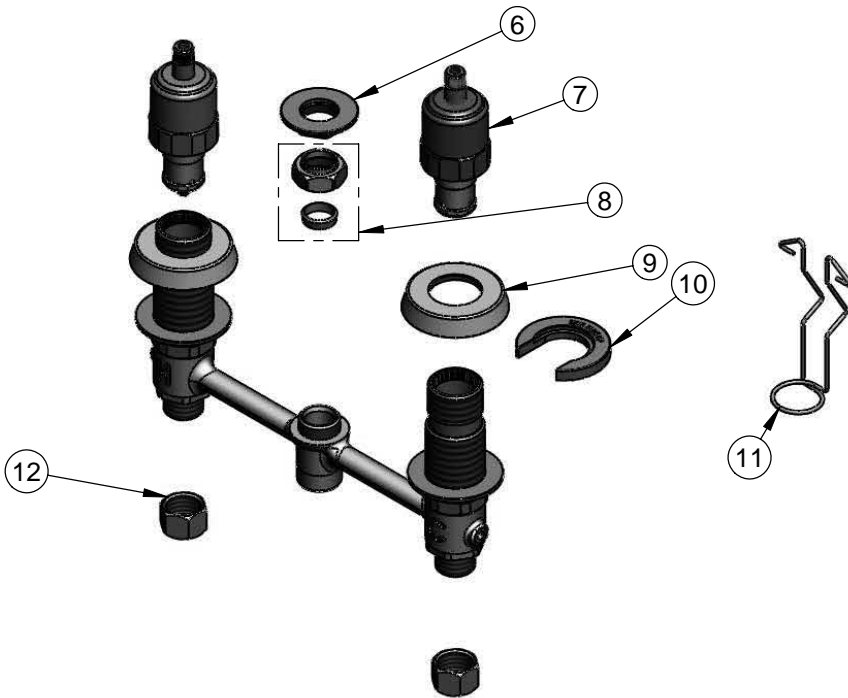
**B-2991-WH4**

Item No.

Travelers Rest, SC: 800-476-4103 Simi Valley, CA: 800-423-0150 Fax: 864-834-3518 www.tsbrass.com



ITEM NO.	SALES NO.	DESCRIPTION
1	001194-45	Red HW Index
2	B-0199-03	2.2 GPM Aerator
3	001686-45	Blue CW Index
4	000925-45	Lab Handle Screw
5	B-WH4	4" Wrist Action Handle
6	016742-45	Center Flange Nut
7	012449-40	Wrist Action Metering Cartridge Assembly
8	016745-45	Compression Nut & Fitting
9	017292-45	Metering CWS Escutcheon
10	016749-45	Sidebody C-Washer
11	016777-45	CWS Hanger
12	000958-20	Coupling Nut



017245-40  
Installation Repair Kit  
Includes #6, (2)#10, & #11

Product Specifications:

EasyInstall CWS Faucet w/ 4" Wrist Action Handles,  
Slow-Close Metering Cartridges, 8" Inlet Centers,  
Cast Spout w/ 2.2 GPM Aerator

Drawn <b>JRM</b>	Checked <b>GEF</b>	Approved <b>JHB</b>
Scale: <b>NTS</b>		Date: <b>12/08/08</b>