



T&S BRASS AND BRONZE WORKS, INC.

2 Saddleback Cove / P.O. Box 1088
Travelers Rest, SC 29690

Model No.

B-3940

Item No.

Travelers Rest, SC: 800-476-4103 • Simi Valley, CA: 800-423-0150 • Fax: 864-834-3518 • www.tsbrass.com

This Space for Architect/Engineer Approval

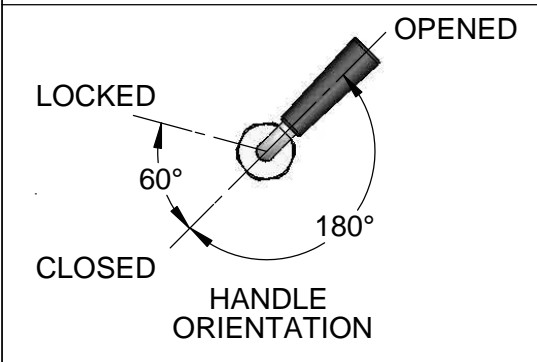
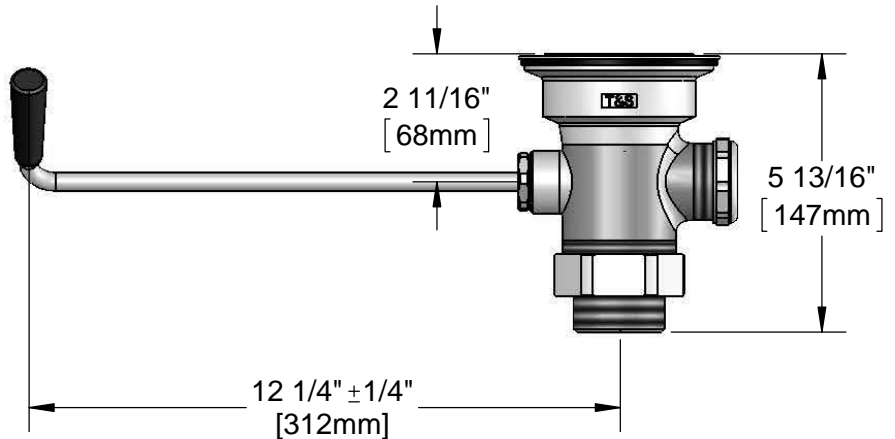
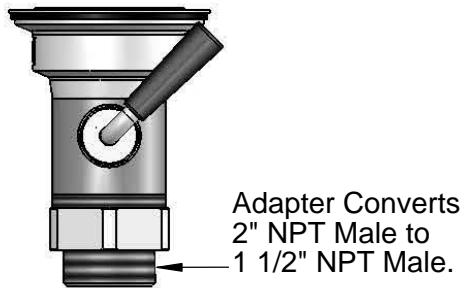
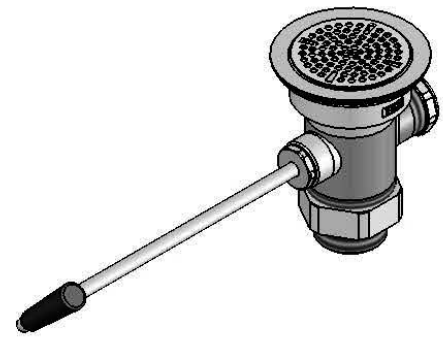
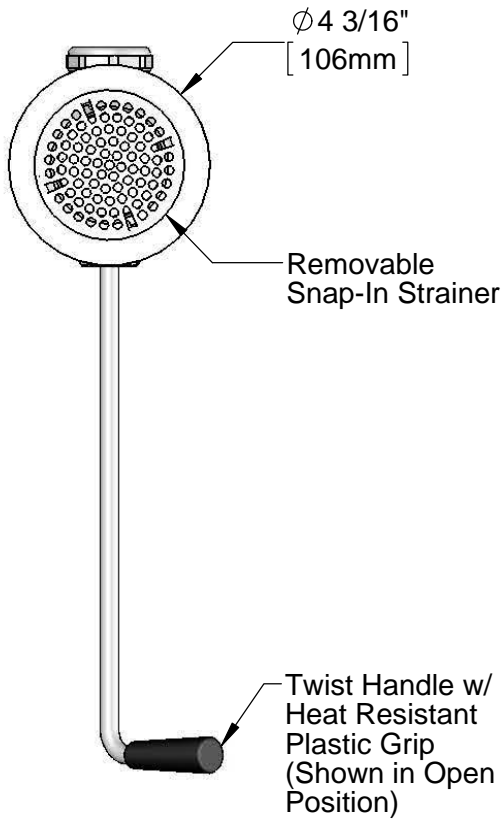
Job Name _____ Date _____

Model Specified _____ Quantity _____

Customer/Wholesaler _____

Contractor _____

Architect/Engineer _____



Product Specifications:
Rotary Waste Valve w/ Twist Handle, 3" Sink Opening, 2" NPT Male Outlet & 1 1/2" NPT Male Adapter

Product Compliance:
ASME A112.18.2 / CSA B125.2



T&S BRASS AND BRONZE WORKS, INC.

2 Saddleback Cove / P.O. Box 1088
Travelers Rest, SC 29690

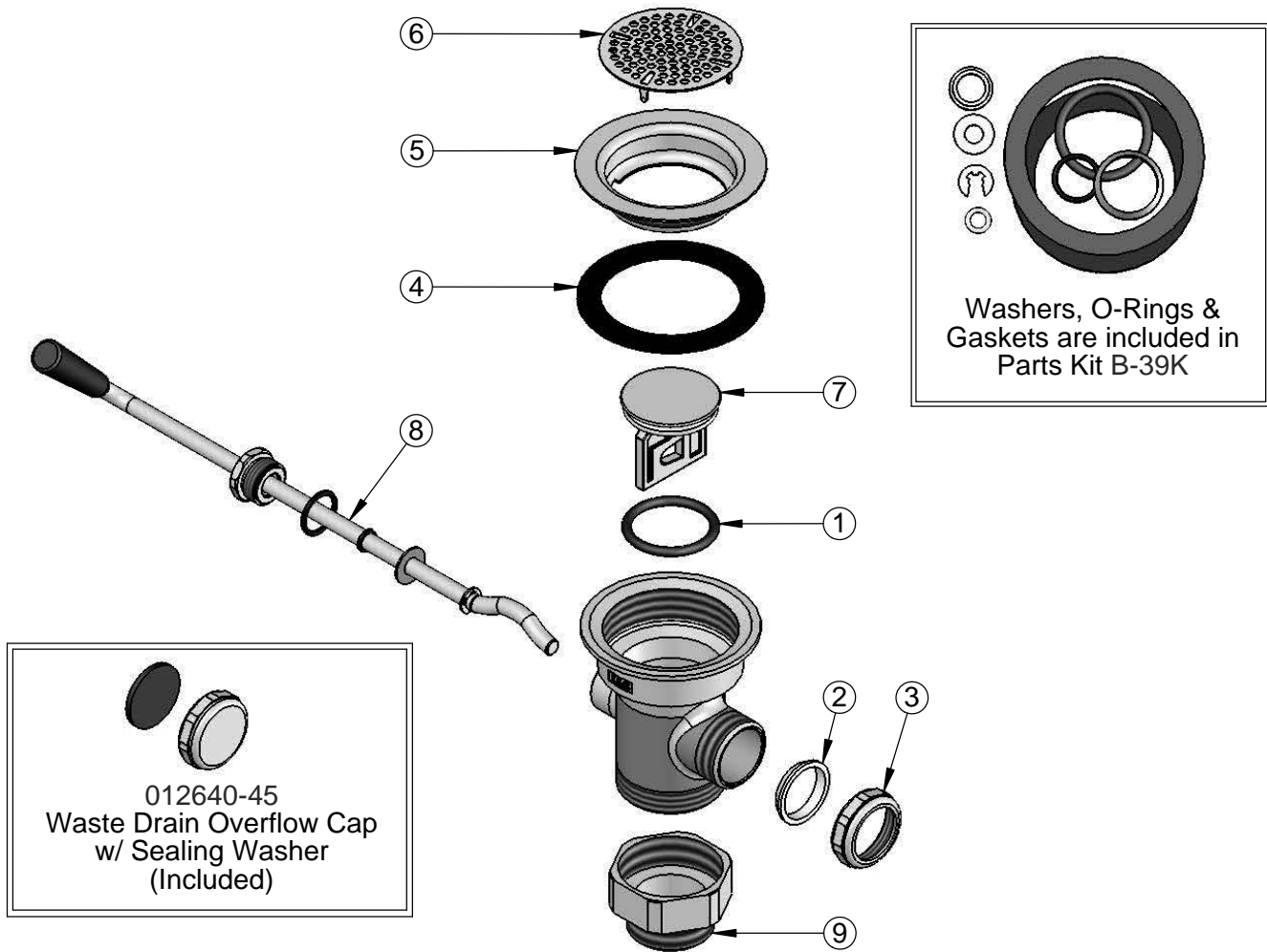
Model No.

B-3940

Item No.

Travelers Rest, SC: 800-476-4103 • Simi Valley, CA: 800-423-0150 • Fax: 864-834-3518 • www.tsbrass.com

| ITEM NO. | SALES NO. | DESCRIPTION |
|----------|-----------|----------------------------------|
| 1 | 010389-45 | O-Ring, Plunger |
| 2 | 010390-45 | Ferrule, Coupling Nut |
| 3 | 010391-45 | Nut, Coupling For Twist Drain |
| 4 | 010381-45 | Gasket, 3" Face Flange |
| 5 | 015306-45 | Flange, 3" Face |
| 6 | 010385-45 | Strainer, 3" Snap-in |
| 7 | 010388-45 | Plunger, Lever and Twist Drain |
| 8 | 010393-45 | Handle, Rotary Waste Valve Twist |
| 9 | B-3945 | Adapter, 2" NPT x 1 1/2" NPT |



Product Specifications:

Rotary Waste Valve w/ Twist Handle, 3" Sink Opening, 2" NPT Male Outlet & 1 1/2" NPT Male Adapter

Product Compliance:

ASME A112.18.2 / CSA B125.2