



T&S BRASS AND BRONZE WORKS, INC.
 2 Saddleback Cove / P.O. Box 1088
 Travelers Rest, SC 29690

Model No.
B-3942-01-XS

Item No.

Travelers Rest, SC: 800-476-4103 • Simi Valley, CA: 800-423-0150 • Fax: 864-834-3518 • www.tsbrass.com

This Space for Architect/Engineer Approval

Job Name _____ Date _____

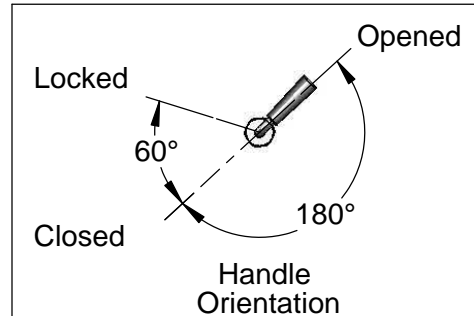
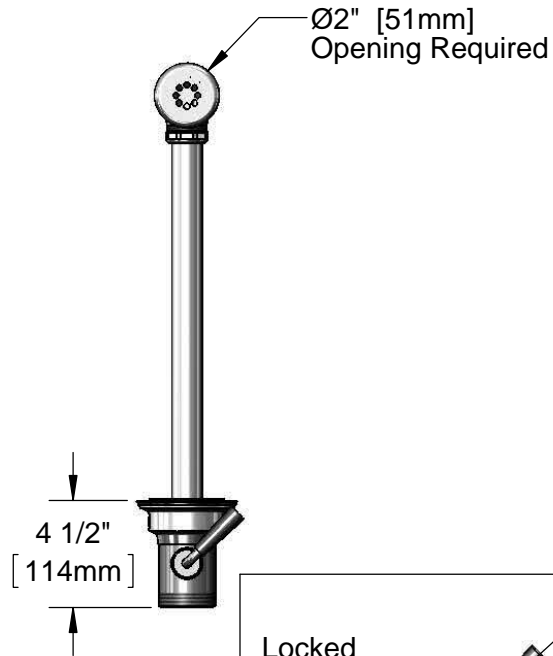
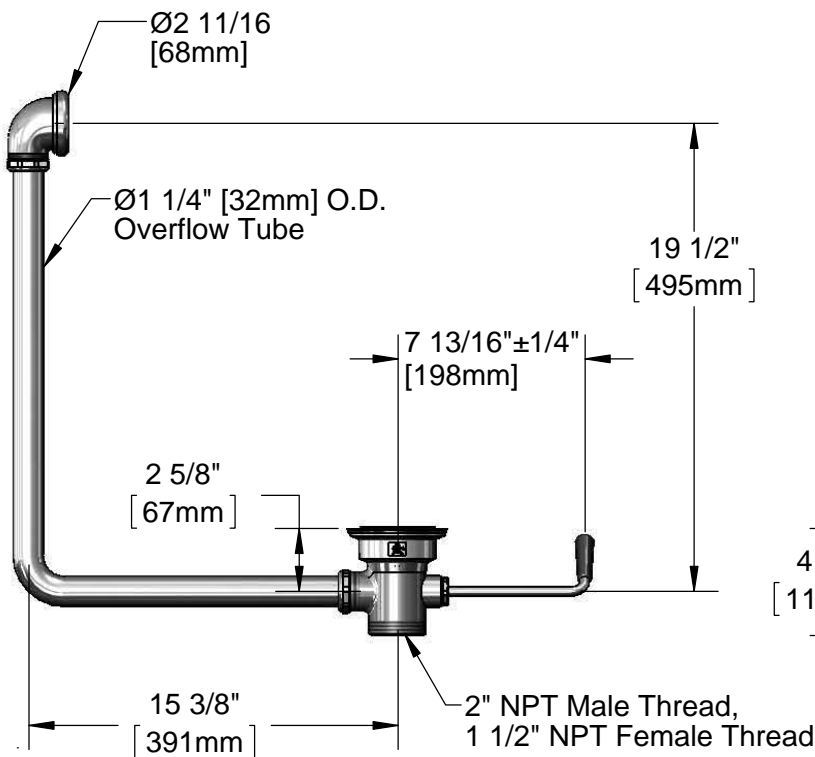
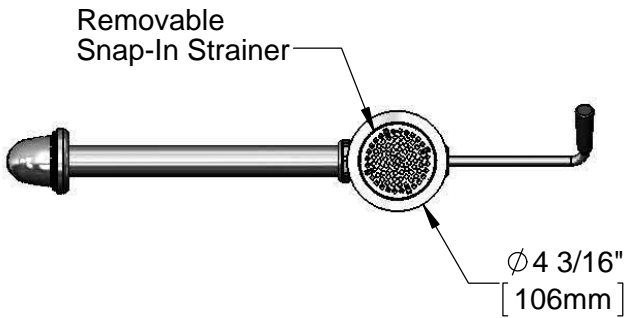
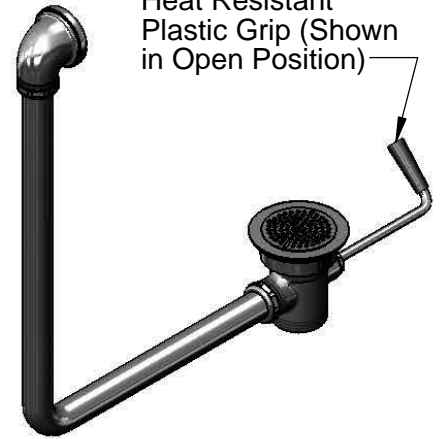
Model Specified _____ Quantity _____

Customer/Wholesaler _____

Contractor _____

Architect/Engineer _____

Twist Handle w/
 Heat Resistant
 Plastic Grip (Shown
 in Open Position)



Product Specifications:
 Rotary Waste Valve w/ Short Twist Handle, 3" Sink Opening, 2" NPT
 Male Outlet, 1 1/2" NPT Female Outlet & Overflow Tube w/ Head Asm

Drawn KJG	Checked DMH	Approved JHB
Scale: 1:8		Date: 08/23/13

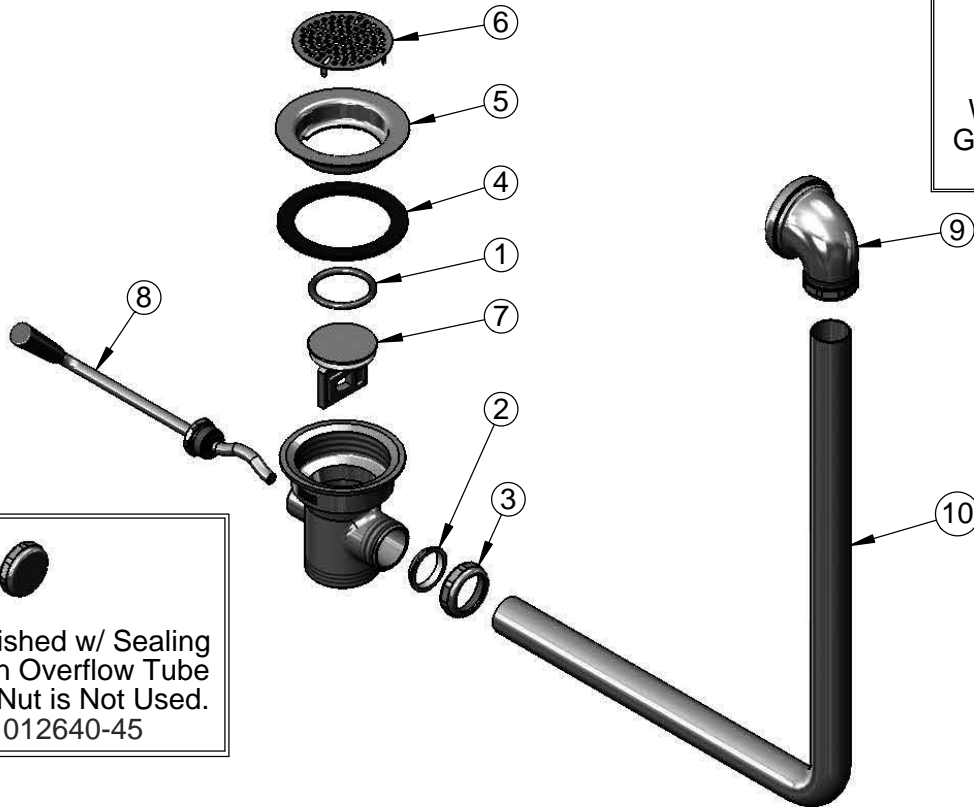


T&S BRASS AND BRONZE WORKS, INC.
 2 Saddleback Cove / P.O. Box 1088
 Travelers Rest, SC 29690

Model No.
B-3942-01-XS
 Item No.

Travelers Rest, SC: 800-476-4103 • Simi Valley, CA: 800-423-0150 • Fax: 864-834-3518 • www.tsbrass.com

ITEM NO.	SALES NO.	DESCRIPTION
1	010389-45	O-Ring, Plunger
2	010390-45	Ferrule, Coupling Nut
3	010391-45	Nut, Coupling For Twist Drain
4	010381-45	Gasket, 3" Face Flange
5	015306-45	Flange, 3" Face
6	010385-45	Strainer, 3" Snap-in
7	010388-45	Plunger, Lever and Twist Drain
8	010393-45XS	Handle, Rotary Waste Valve Short Twist
9	011356-45	Head Asm, Overflow Tube
10	011355-45	Tube, Overflow Elbow



Also Furnished w/ Sealing Cap When Overflow Tube Coupling Nut is Not Used.
 PN# 012640-45

Product Specifications:
 Rotary Waste Valve w/ Short Twist Handle, 3" Sink Opening, 2" NPT Male Outlet, 1 1/2" NPT Female Outlet & Overflow Tube w/ Head Asm

Drawn KJG	Checked DMH	Approved JHB
Scale: NTS		Date: 08/23/13