



T&S BRASS AND BRONZE WORKS, INC.

2 Saddleback Cove / P.O. Box 1088
Travelers Rest, SC 29690

Model No.

B-3950-01

Item No.

Travelers Rest, SC: 800-476-4103 • Simi Valley, CA: 800-423-0150 • Fax: 864-834-3518 • www.tsbrass.com

This Space for Architect/Engineer Approval

Job Name _____ Date _____

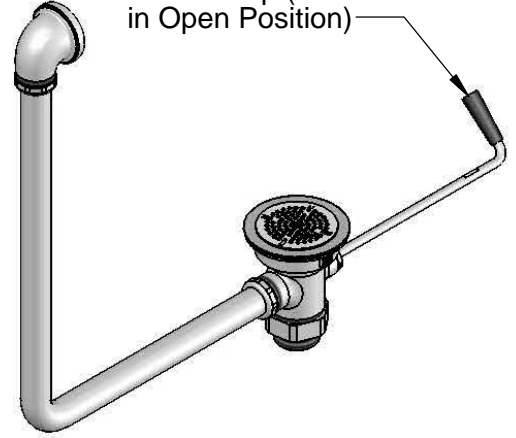
Model Specified _____ Quantity _____

Customer/Wholesaler _____

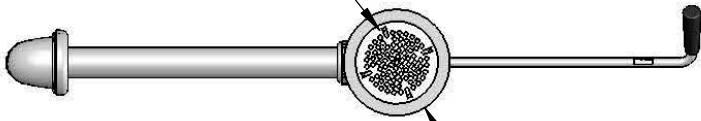
Contractor _____

Architect/Engineer _____

Twist Handle w/
Heat Resistant
Plastic Grip (Shown
in Open Position)



Removable
Snap-in Strainer



Ø2 11/16"
[68mm]

Ø4 7/16"
[113mm]

Ø2" [51mm]
Opening Required

Ø1 1/4" [32mm] O.D.
Overflow Tube

19 1/2"
[495mm]

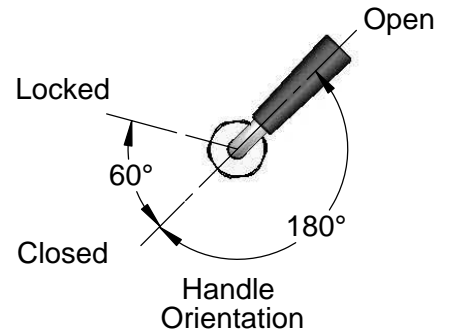
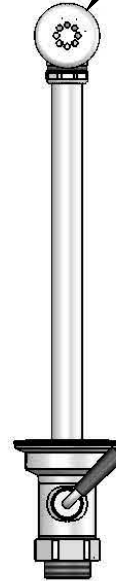
12 1/4" ± 1/4"
[312mm]

5 3/4"
[145mm]

2 5/8"
[67mm]

15 3/8"
[391mm]

Adapter Converts 2" NPT Male
to 1 1/2" NPT Male. Remove
Adapter when 2" NPT Male
Thread is Needed.



Product Specifications:

Rotary Waste Drain Valve w/ Twist Handle, 3 1/2" Sink Opening, 2" NPT Male Outlet, 1 1/2" NPT Male Adapter & Overflow Tube & Head

Product Compliance:

ASME A112.18.2 / CSA B125.2



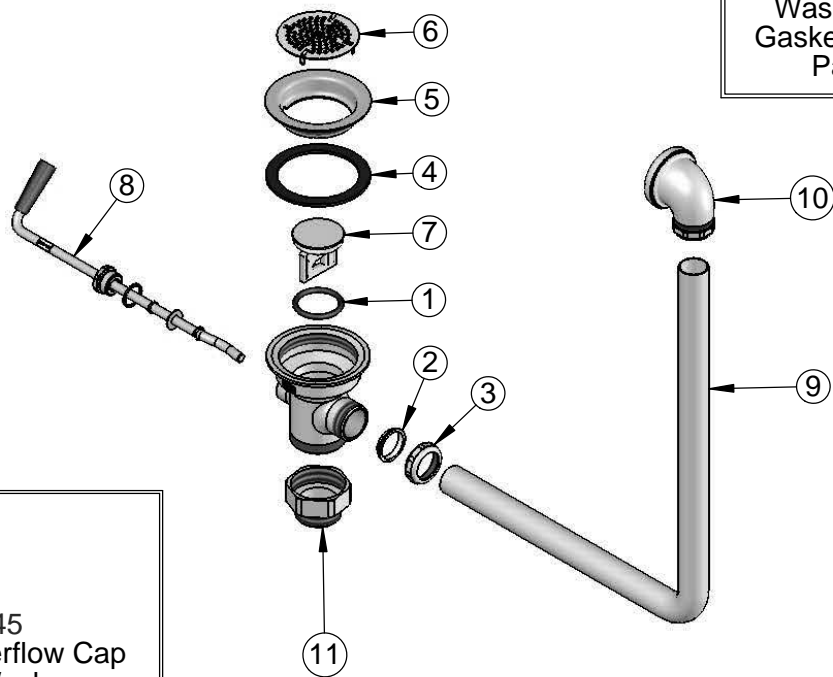
T&S BRASS AND BRONZE WORKS, INC.
 2 Saddleback Cove / P.O. Box 1088
 Travelers Rest, SC 29690

Model No.
B-3950-01

Item No.

Travelers Rest, SC: 800-476-4103 • Simi Valley, CA: 800-423-0150 • Fax: 864-834-3518 • www.tsbrass.com

| ITEM NO. | SALES NO. | DESCRIPTION |
|----------|-----------|------------------------------------|
| 1 | 010389-45 | O-Ring, Plunger |
| 2 | 010390-45 | Ferrule, Coupling Nut |
| 3 | 010391-45 | Nut, Coupling for Twist Drain |
| 4 | 010382-45 | Gasket, 3 1/2" Face Flange |
| 5 | 010384-45 | Flange, 3 1/2" Face |
| 6 | 010386-45 | Strainer, 3 1/2" Snap-in Removable |
| 7 | 010388-45 | Plunger, Lever and Twist Drain |
| 8 | 010393-45 | Handle, Rotary Waste Valve Twist |
| 9 | 011355-45 | Tube, Overflow Elbow |
| 10 | 011356-45 | Head, Overflow Tube |
| 11 | B-3945 | Adapter, 2" NPT x 1 1/2" NPT |



Product Specifications:
 Rotary Waste Drain Valve w/ Twist Handle, 3 1/2" Sink Opening, 2" NPT Male Outlet, 1 1/2" NPT Male Adapter & Overflow Tube & Head

Product Compliance:
 ASME A112.18.2 / CSA B125.2