



T&S BRASS AND BRONZE WORKS, INC.
 2 Saddleback Cove / P.O. Box 1088
 Travelers Rest, SC 29690

Model No.
B-3950-XL

Item No.

Travelers Rest, SC: 800-476-4103 • Simi Valley, CA: 800-423-0150 • Fax: 864-834-3518 • www.tsbrass.com

This Space for Architect/Engineer Approval

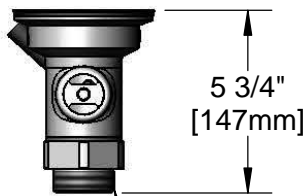
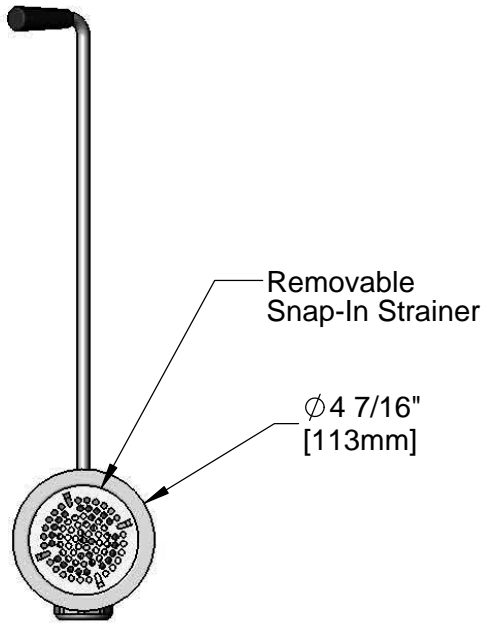
Job Name _____ Date _____

Model Specified _____ Quantity _____

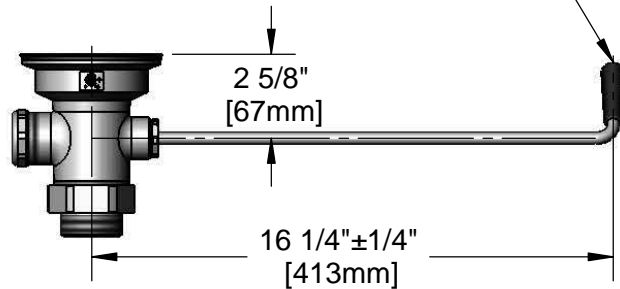
Customer/Wholesaler _____

Contractor _____

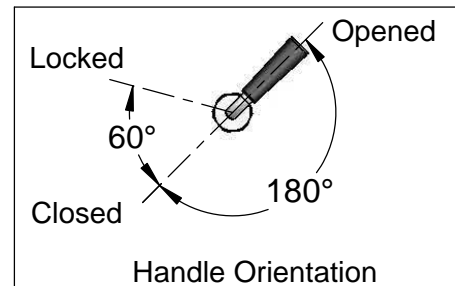
Architect/Engineer _____



Adapter Converts 2" NPT Male to 1 1/2" NPT Male. Remove Adapter When 2" NPT Male Thread is Needed.



Long Twist Handle w/ Heat Resistant Plastic Grip (Shown in Open Position)



Product Specifications:
 Rotary Waste Valve w/ Long Twist Handle, 3 1/2" Sink Opening, 2" NPT Male / 1 1/2" NPT Male Adapter

Drawn KJG	Checked JRM	Approved JHB
Scale: 1:6		Date: 11/02/12



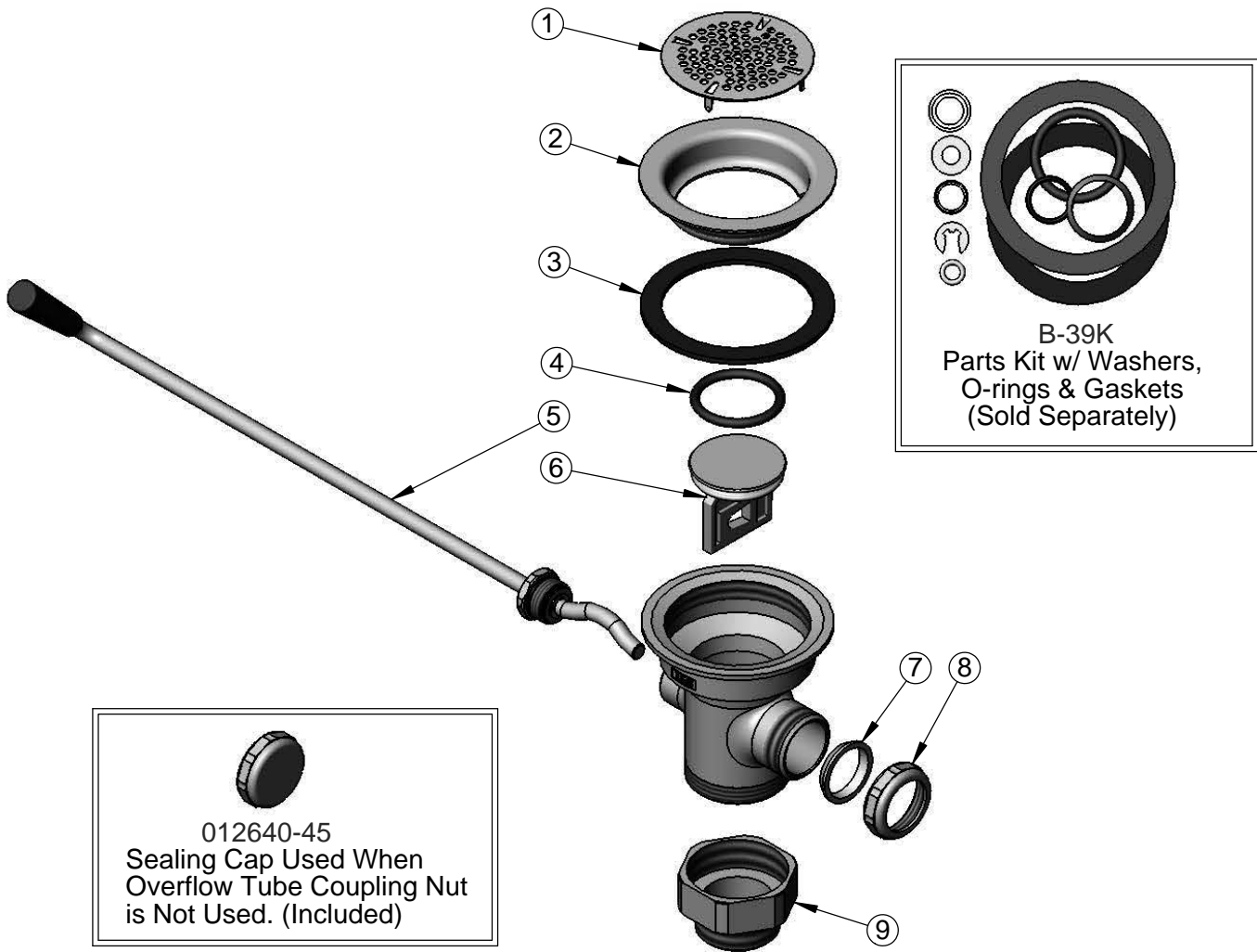
T&S BRASS AND BRONZE WORKS, INC.
 2 Saddleback Cove / P.O. Box 1088
 Travelers Rest, SC 29690

Model No.
B-3950-XL

Item No.

Travelers Rest, SC: 800-476-4103 • Simi Valley, CA: 800-423-0150 • Fax: 864-834-3518 • www.tsbrass.com

ITEM NO.	SALES NO.	DESCRIPTION
1	010386-45	Strainer, 3 1/2" Snap-In Removable
2	010384-45	Flange, 3 1/2" Face
3	010382-45	Gasket, 3 1/2" Face Flange
4	010389-45	O-Ring, Plunger
5	010393-45XL	Handle, Long Twist
6	010388-45	Plunger, Twist Drain
7	010390-45	Ferrule, Coupling Nut
8	010391-45	Nut, Coupling For Twist Drain
9	B-3945	Adapter, 2" NPT x 1 1/2" NPT



Product Specifications:
 Rotary Waste Valve w/ Long Twist Handle, 3 1/2" Sink Opening,
 2" NPT Male / 1 1/2" NPT Male Adapter

Drawn KJG	Checked JRM	Approved JHB
Scale: NTS		Date: 11/02/12