



**T&S BRASS AND BRONZE WORKS, INC.**  
 2 Saddleback Cove / P.O. Box 1088  
 Travelers Rest, SC 29690

Model No.  
**B-3960**

Item No.

Travelers Rest, SC: 800-476-4103 • Simi Valley, CA: 800-423-0150 • Fax: 864-834-3518 • www.tsbrass.com

This Space for Architect/Engineer Approval

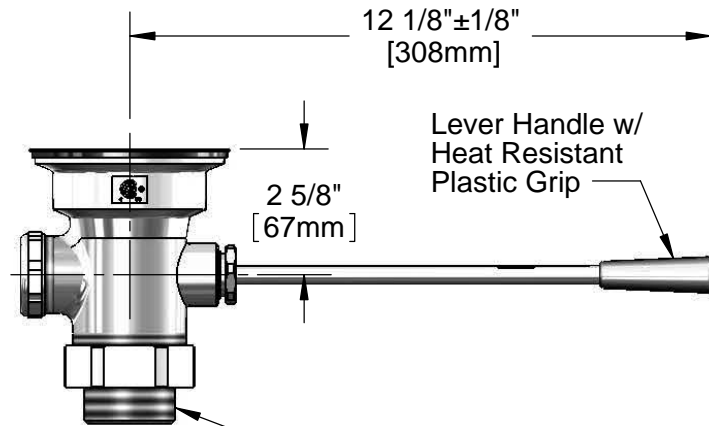
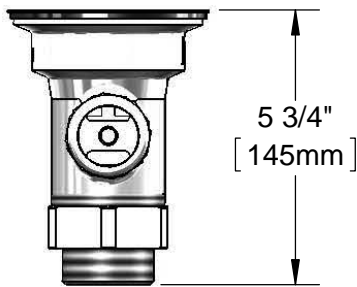
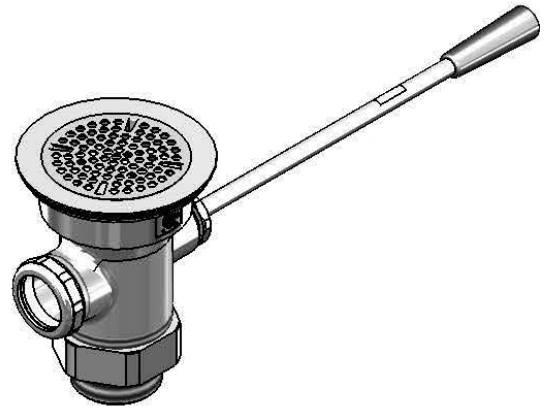
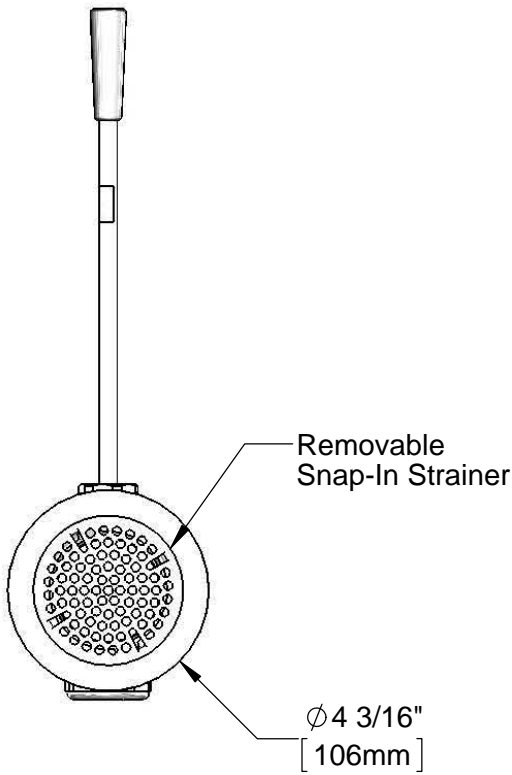
Job Name \_\_\_\_\_ Date \_\_\_\_\_

Model Specified \_\_\_\_\_ Quantity \_\_\_\_\_

Customer/Wholesaler \_\_\_\_\_

Contractor \_\_\_\_\_

Architect/Engineer \_\_\_\_\_



Adapter Converts 2" NPT Male to 1 1/2" NPT Male. Remove Adapter When 2" NPT Male Thread is Needed.

Product Specifications:  
 Waste Drain Valve w/ Lever Handle, 3" Sink Opening, 2" NPT Male Outlet / 1 1/2" NPT Female Outlet & 1 1/2" NPT Male Adapter

Product Compliance:  
 ASME A112.18.2 / CSA B125.2



**T&S BRASS AND BRONZE WORKS, INC.**  
 2 Saddleback Cove / P.O. Box 1088  
 Travelers Rest, SC 29690

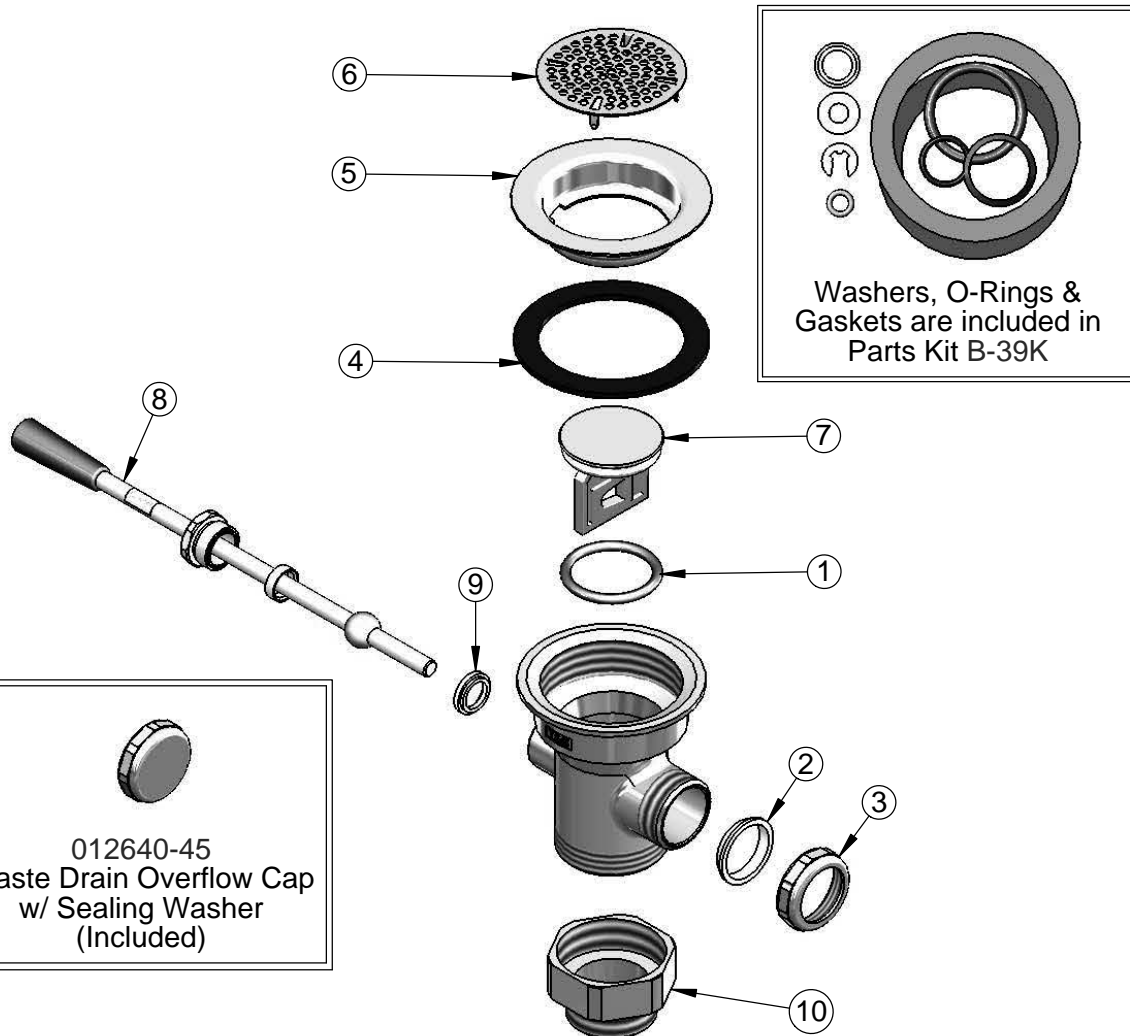
Model No.  
**B-3960**

Item No.

# Preliminary

Travelers Rest, SC: 800-476-4103 • Simi Valley, CA: 800-423-0151 • Fax: 861-334-5518 • www.tsbrass.com

ITEM NO.	SALES NO.	DESCRIPTION
1	010389-45	O-Ring, Plunger
2	010390-45	Ferrule, Coupling Nut
3	010391-45	Nut, Coupling for Twist Drain
4	010381-45	Gasket, 3" Face Flange
5	015306-45	Flange, 3" Face
6	010385-45	Strainer, 3" Snap-in
7	010388-45	Plunger, Lever and Twist Drain
8	010394-45	Handle, Waste Drain Valve Lever
9	010392-45	Bushing, Waste Drain Lever Handle
10	B-3945	Adapter, 2" NPT x 1 1/2" NPT



012640-45  
 Waste Drain Overflow Cap  
 w/ Sealing Washer  
 (Included)

Washers, O-Rings &  
 Gaskets are included in  
 Parts Kit B-39K

Product Specifications:  
 Waste Drain Valve w/ Lever Handle, 3" Sink Opening, 2" NPT Male Outlet /  
 1 1/2" NPT Female Outlet & 1 1/2" NPT Male Adapter

Product Compliance:  
 ASME A112.18.2 / CSA B125.2