



T&S BRASS AND BRONZE WORKS, INC.
 2 Saddleback Cove / P.O. Box 1088
 Travelers Rest, SC 29690

Model No.
B-3962-XS

Item No.

Travelers Rest, SC: 800-476-4103 • Simi Valley, CA: 800-423-0150 • Fax: 864-834-3518 • www.tsbrass.com

This Space for Architect/Engineer Approval

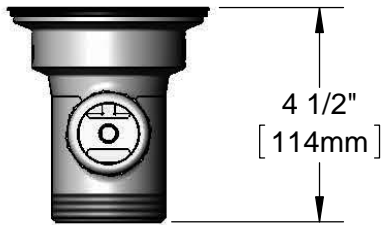
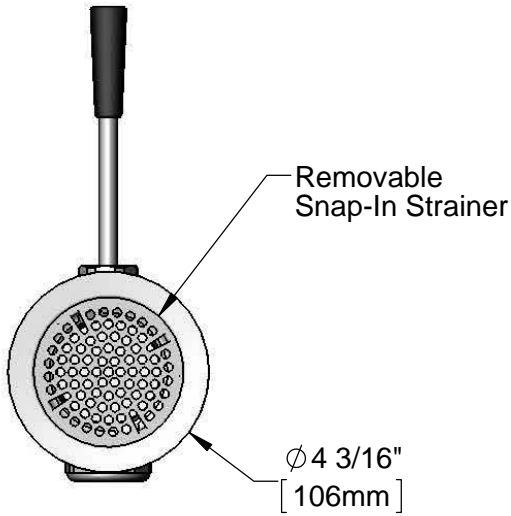
Job Name _____ Date _____

Model Specified _____ Quantity _____

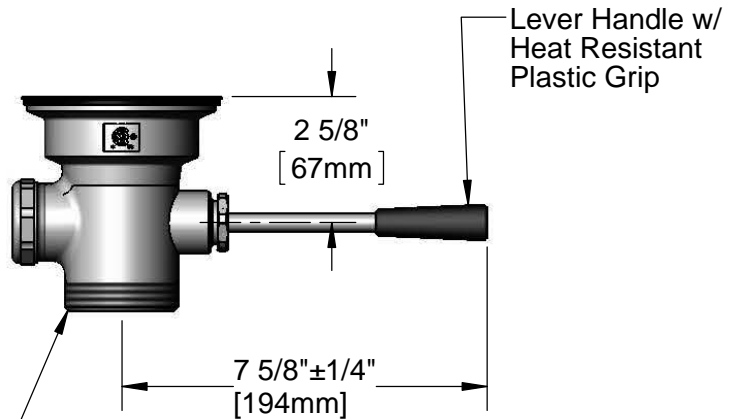
Customer/Wholesaler _____

Contractor _____

Architect/Engineer _____



2" NPT Male Thread,
 1 1/2" NPT Female Thread



Product Specifications:
 Waste Drain Valve w/ Short Lever Handle, 3" Sink Opening,
 2" NPT Male & 1 1/2" NPT Female Outlet

| | | |
|----------------------|-----------------------|--------------------------|
| Drawn KJG | Checked GEF | Approved JHB |
| Scale: 1:4 | | Date: 06/18/12 |



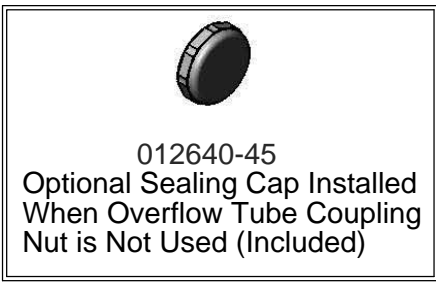
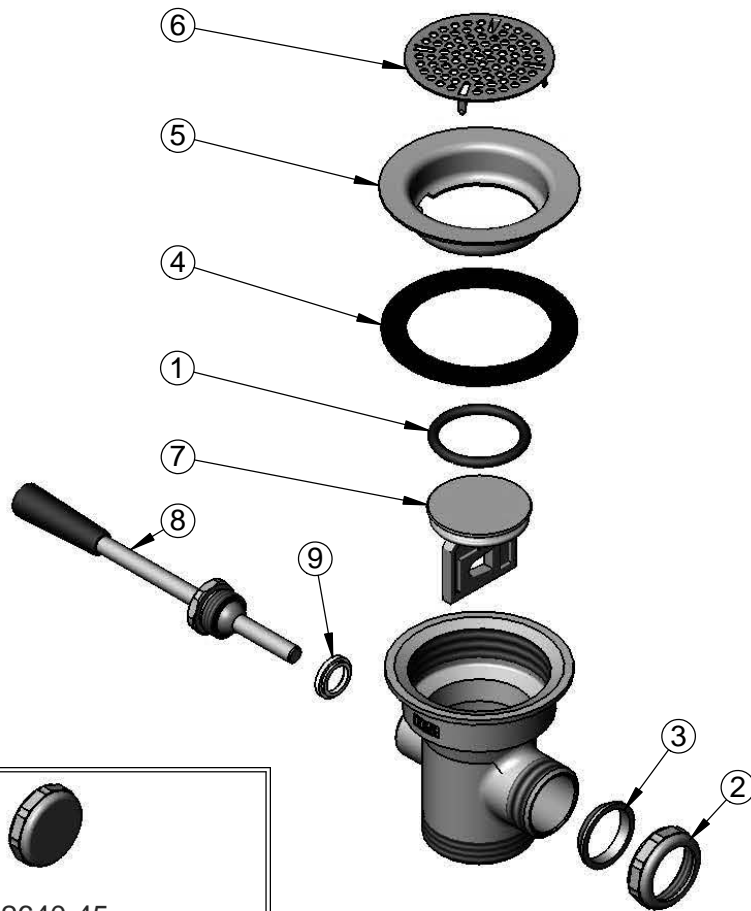
T&S BRASS AND BRONZE WORKS, INC.
 2 Saddleback Cove / P.O. Box 1088
 Travelers Rest, SC 29690

Model No.
B-3962-XS

Item No.

Travelers Rest, SC: 800-476-4103 • Simi Valley, CA: 800-423-0150 • Fax: 864-834-3518 • www.tsbrass.com

| ITEM NO. | SALES NO. | DESCRIPTION |
|----------|-------------|-------------------------------------|
| 1 | 010389-45 | O-Ring, Plunger |
| 2 | 010391-45 | Nut, Coupling For Twist Drain |
| 3 | 010390-45 | Ferrule, Coupling Nut |
| 4 | 010381-45 | Gasket, 3" Face Flange |
| 5 | 015306-45 | Flange, 3" Face |
| 6 | 010385-45 | Strainer, 3" Snap-in |
| 7 | 010388-45 | Plunger, Lever and Twist Drain |
| 8 | 010394-45XS | Handle Asm, Waste Valve Short Lever |
| 9 | 010392-45 | Bushing, Waste Drain Lever Handle |



Product Specifications:
 Waste Drain Valve w/ Short Lever Handle, 3" Sink Opening,
 2" NPT Male & 1 1/2" NPT Female Outlet

| | | |
|----------------------|-----------------------|--------------------------|
| Drawn KJG | Checked GEF | Approved JHB |
| Scale: NTS | | Date: 06/18/12 |