



**T&S BRASS AND BRONZE WORKS, INC.**  
 2 Saddleback Cove / P.O. Box 1088  
 Travelers Rest, SC 29690

Model No.  
**B-3970-01**

Item No.

Travelers Rest, SC: 800-476-4103 • Simi Valley, CA: 800-423-0150 • Fax: 864-834-3518 • www.tsbrass.com

This Space for Architect/Engineer Approval

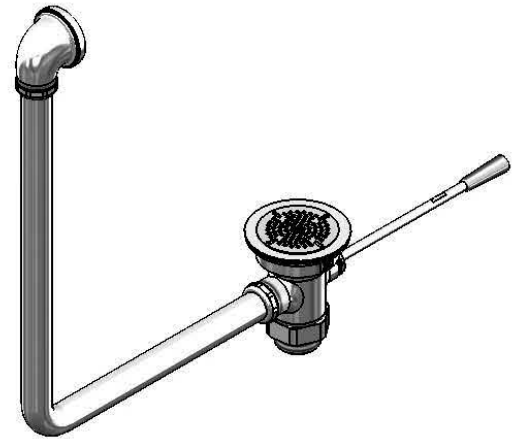
Job Name \_\_\_\_\_ Date \_\_\_\_\_

Model Specified \_\_\_\_\_ Quantity \_\_\_\_\_

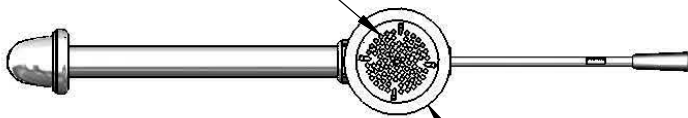
Customer/Wholesaler \_\_\_\_\_

Contractor \_\_\_\_\_

Architect/Engineer \_\_\_\_\_



Removable  
Snap-In Strainer



$\varnothing 4 \frac{7}{16}$ "  
[113mm]

$\varnothing 2 \frac{11}{16}$ "  
[68mm]

$\varnothing 1 \frac{1}{4}$ " [32mm] O.D.  
Overflow Tube

5  $\frac{3}{4}$ "  
[145mm]

12  $\frac{1}{8}$ "  $\pm 1/8$ "  
[308mm]

2  $\frac{5}{8}$ "  
[68mm]

19  $\frac{1}{2}$ "  
[495mm]

15  $\frac{3}{8}$ "  
[391mm]

Adapter Converts 2" NPT  
Male Thread to 1 1/2" NPT  
Male Thread. Remove  
Adapter when 2" NPT Male  
Thread is Needed.

$\varnothing 2$ " [51mm]  
Opening Required



Product Specifications:  
 Waste Drain Valve w/ Lever Handle, 3 1/2" Sink Opening, 2" NPT Male Outlet,  
 1 1/2" NPT Male Adapter, Overflow Tube & Head

Product Compliance:  
 ASME A112.18.2 / CSA B125.2



# T&S BRASS AND BRONZE WORKS, INC.

2 Saddleback Cove / P.O. Box 1088  
Travelers Rest, SC 29690

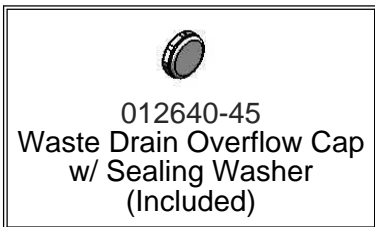
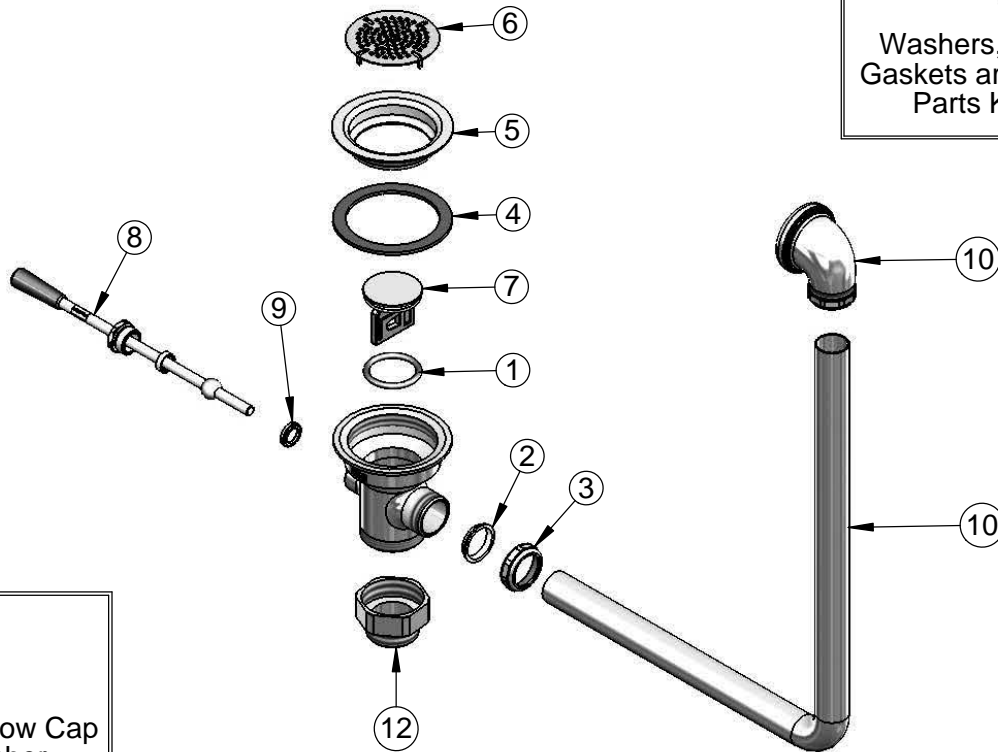
Model No.

**B-3970-01**

Item No.

Travelers Rest, SC: 800-476-4103 • Simi Valley, CA: 800-423-0150 • Fax: 864-834-3518 • www.tsbrass.com

ITEM NO.	SALES NO.	DESCRIPTION
1	010389-45	O-Ring, Plunger
2	010390-45	Ferrule, Coupling Nut
3	010391-45	Nut, Coupling for Twist Drain
4	010382-45	Gasket, 3 1/2" Face Flange
5	010384-45	Flange, 3 1/2" Face
6	010386-45	Strainer, 3 1/2" Snap-in Removable
7	010388-45	Plunger, Lever and Twist Drain
8	010394-45	Handle, Waste Drain Valve Lever
9	010392-45	Bushing, Waste Drain Lever Handle
10	011355-45	Tube, Overflow Elbow
11	011356-45	Head, Overflow Tube
12	B-3945	Adapter, 2" NPT x 1 1/2" NPT



**Product Specifications:**

Waste Drain Valve w/ Lever Handle, 3 1/2" Sink Opening, 2" NPT Male Outlet, 1 1/2" NPT Male Adapter, Overflow Tube & Head

**Product Compliance:**

ASME A112.18.2 / CSA B125.2