



T&S BRASS AND BRONZE WORKS, INC.

2 Saddleback Cove / P.O. Box 1088
Travelers Rest, SC 29690



REG. #A2601
ISO #9001

Model No.

B-3970-VR

Item No.

Travelers Rest, SC: 800-476-4103 Simi Valley, CA: 800-423-0150 Fax: 864-834-3518 www.tsbrass.com

This Space for Architect/Engineer Approval

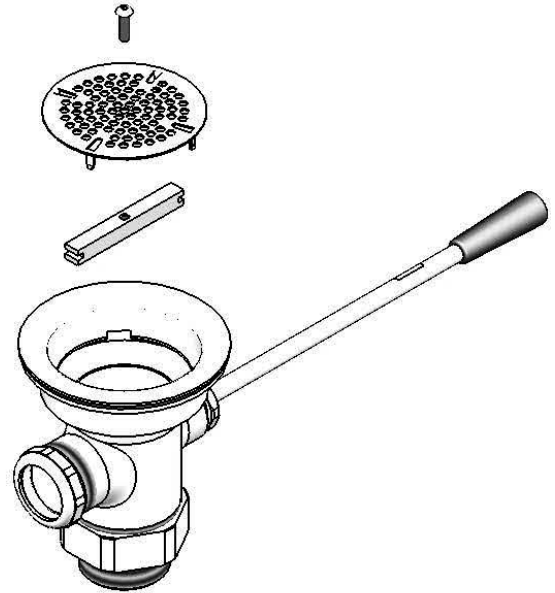
Job Name _____ Date _____

Model Specified _____ Quantity _____

Customer/Wholesaler _____

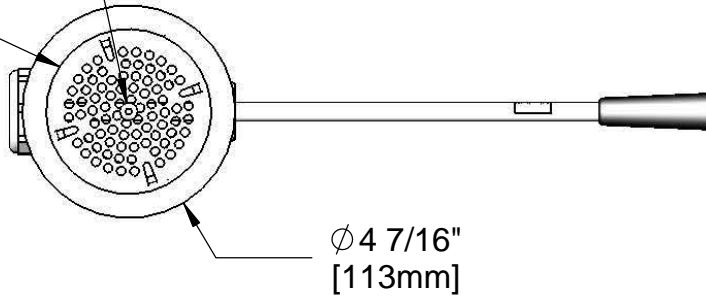
Contractor _____

Architect/Engineer _____

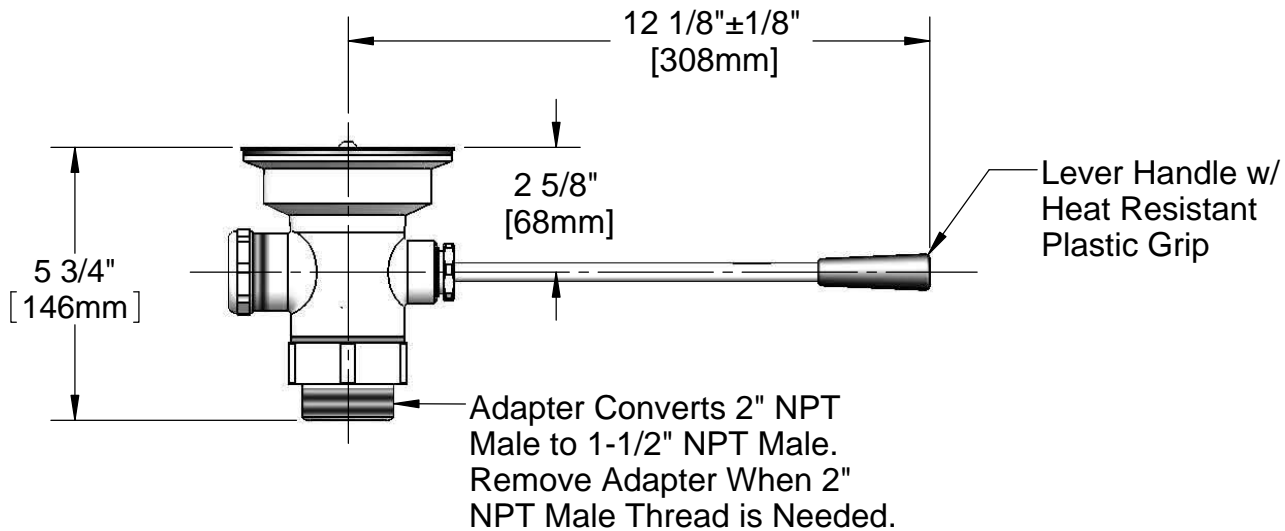


Recessed Hex Screw Requires
1/8" Hex Key for Installation and
Removal of Strainer

Vandal Resistant
Flat Strainer



Ø 4 7/16"
[113mm]



Product Specifications:

Waste Drain Valve w/ Lever Handle, 3 1/2" Sink Opening,
2" NPT Male Outlet & 1-1/2" NPT Male Adapter, & Vandal
Resistant Flat Strainer

Drawn
GEF

Checked
KJG

Approved
JHB

Scale:

1:4

Date:

07/15/11



T&S BRASS AND BRONZE WORKS, INC.

2 Saddleback Cove / P.O. Box 1088
Travelers Rest, SC 29690



REG. #A2601
ISO #9001

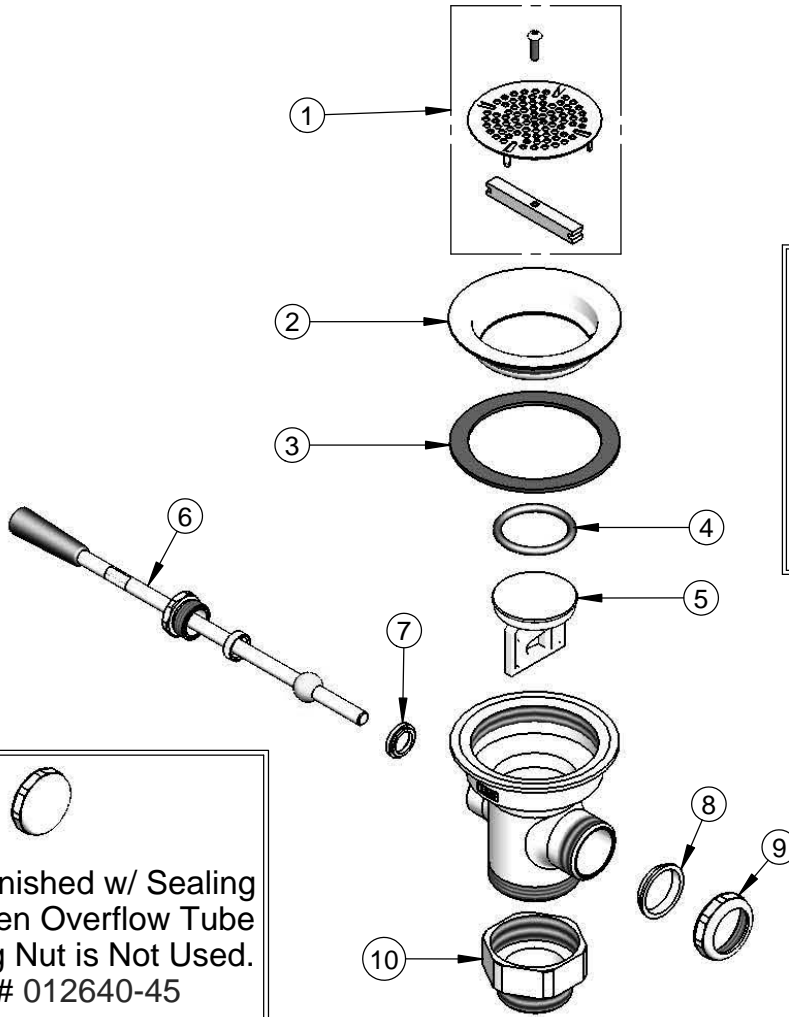
Model No.

B-3970-VR

Item No.

Travelers Rest, SC: 800-476-4103 Simi Valley, CA: 800-423-0150 Fax: 864-834-3518 www.tsbrass.com

ITEM NO.	SALES NO.	DESCRIPTION
1	010386-45VR	Vandal Resistant Locking Flat Strainer, 3 1/2"
2	010384-45	Flange, 3 1/2" Face
3	010382-45	Gasket, 3 1/2" Face Flange
4	010389-45	O-Ring, Plunger
5	010388-45	Plunger, Lever and Twist Drain
6	010394-45	Handle Asm, Waste Drain Valve Lever
7	010392-45	Bushing, Waste Drain Lever Handle
8	010390-45	Ferrule, Coupling Nut
9	010391-45	Nut, Coupling For Twist Drain
10	B-3945	Adapter, 2" NPT x 1 1/2" NPT



Washers, O-Rings & Gaskets are included in Parts Kit B-39K

Also Furnished w/ Sealing Cap When Overflow Tube Coupling Nut is Not Used.
PN# 012640-45

Product Specifications:

Waste Drain Valve w/ Lever Handle, 3 1/2" Sink Opening, 2" NPT Male Outlet & 1-1/2" NPT Male Adapter, & Vandal Resistant Flat Strainer

Drawn GEF	Checked KJG	Approved JHB
Scale: NTS		Date: 07/15/11