



T&S BRASS AND BRONZE WORKS, INC.
 2 Saddleback Cove / P.O. Box 1088
 Travelers Rest, SC 29690

Model No.
B-3970

Item No.

Travelers Rest, SC: 800-476-4103 • Simi Valley, CA: 800-423-0150 • Fax: 864-834-3518 • www.tsbrass.com

This Space for Architect/Engineer Approval

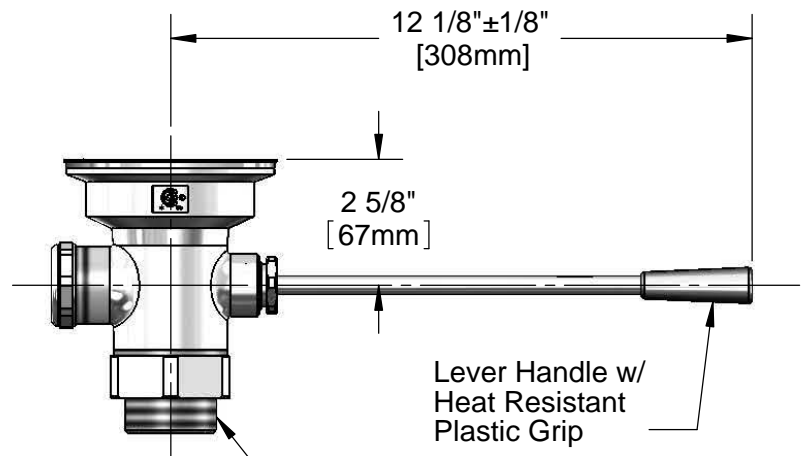
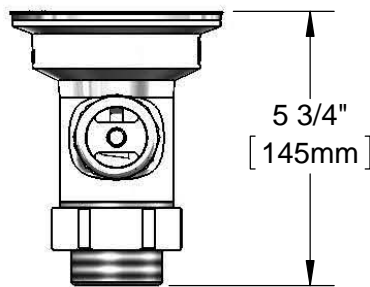
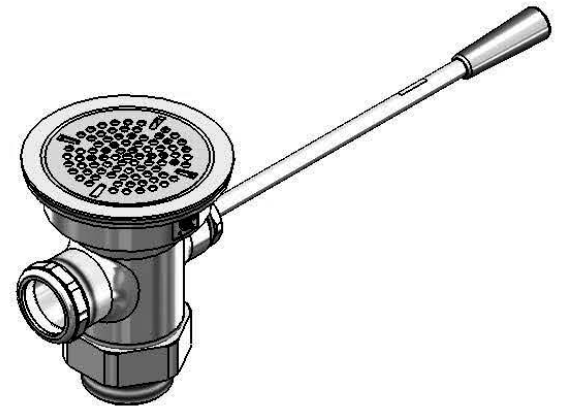
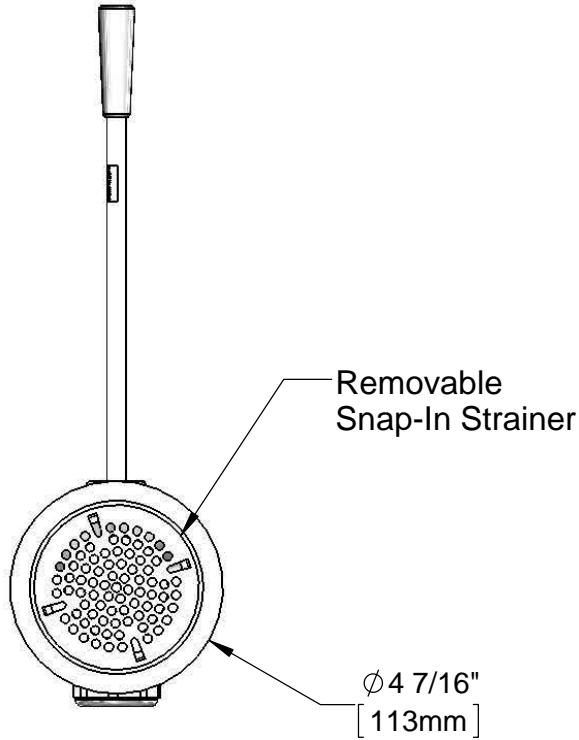
Job Name _____ Date _____

Model Specified _____ Quantity _____

Customer/Wholesaler _____

Contractor _____

Architect/Engineer _____



Lever Handle w/
Heat Resistant
Plastic Grip

Adapter Converts 2" NPT
Male to 1-1/2" NPT Male.
Remove Adapter When 2"
NPT Male Thread is Needed.

Product Specifications:
 Waste Drain Valve w/ Lever Handle, 3 1/2" Sink Opening,
 2" NPT Male Outlet & 1-1/2" NPT Male Adapter

Product Compliance:
 ASME A112.18.2 / CSA B125.2



T&S BRASS AND BRONZE WORKS, INC.

2 Saddleback Cove / P.O. Box 1088
Travelers Rest, SC 29690

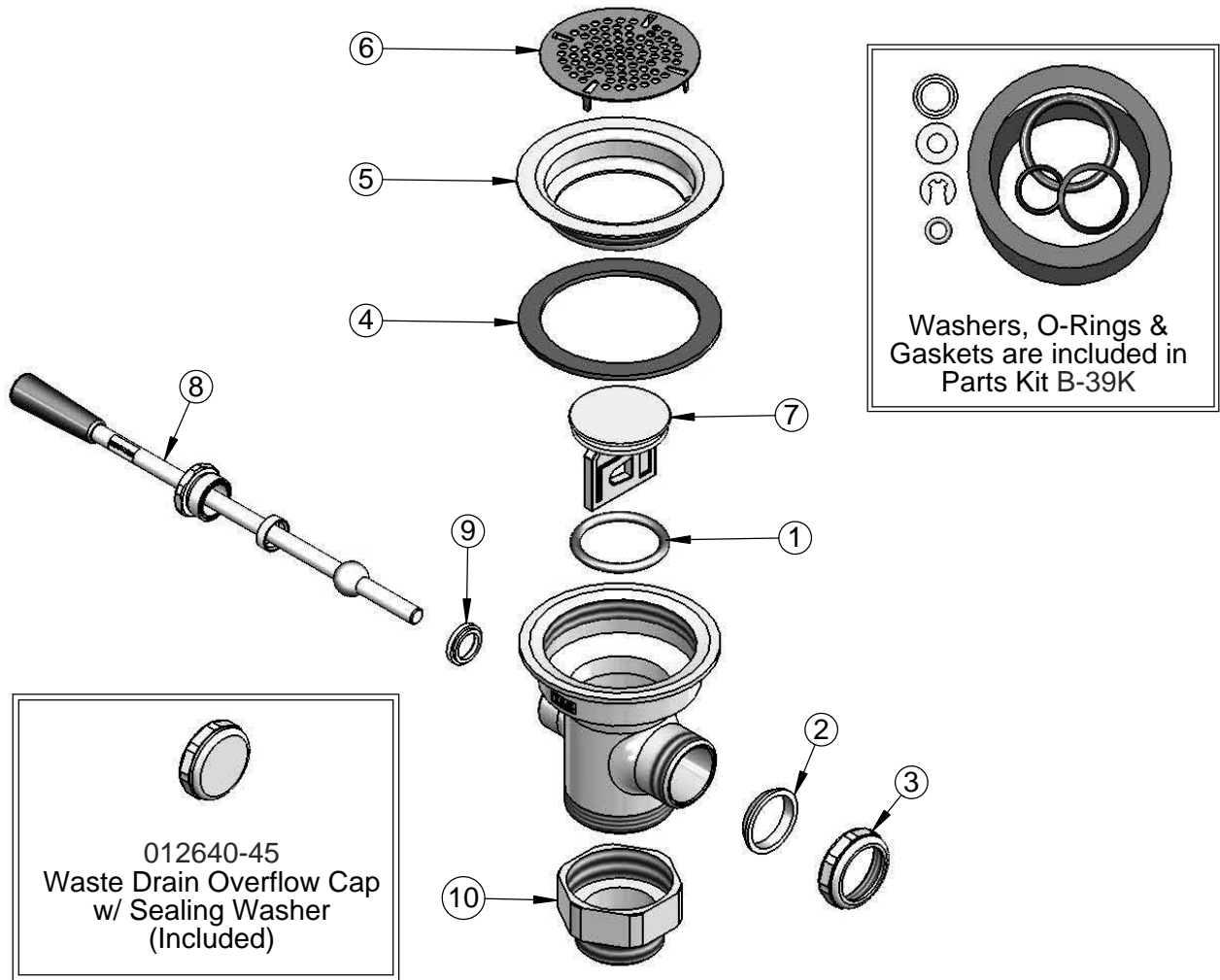
Model No.

B-3970

Item No.

Travelers Rest, SC: 800-476-4103 • Simi Valley, CA: 800-423-0150 • Fax: 864-834-3518 • www.tsbrass.com

ITEM NO.	SALES NO.	DESCRIPTION
1	010389-45	O-Ring, Plunger
2	010390-45	Ferrule, Coupling Nut
3	010391-45	Nut, Coupling for Twist Drain
4	010382-45	Gasket, 3 1/2" Face Flange
5	010384-45	Flange, 3 1/2" Face
6	010386-45	Strainer, 3 1/2" Snap-in Removable
7	010388-45	Plunger, Lever and Twist Drain
8	010394-45	Handle, Waste Drain Valve Lever
9	010392-45	Bushing, Waste Drain Lever Handle
10	B-3945	Adapter, 2" NPT x 1 1/2" NPT



Product Specifications:

Waste Drain Valve w/ Lever Handle, 3 1/2" Sink Opening,
2" NPT Male Outlet & 1-1/2" NPT Male Adapter

Product Compliance:

ASME A112.18.2 / CSA B125.2