



T&S BRASS AND BRONZE WORKS, INC.

2 Saddleback Cove / P.O. Box 1088
Travelers Rest, SC 29690

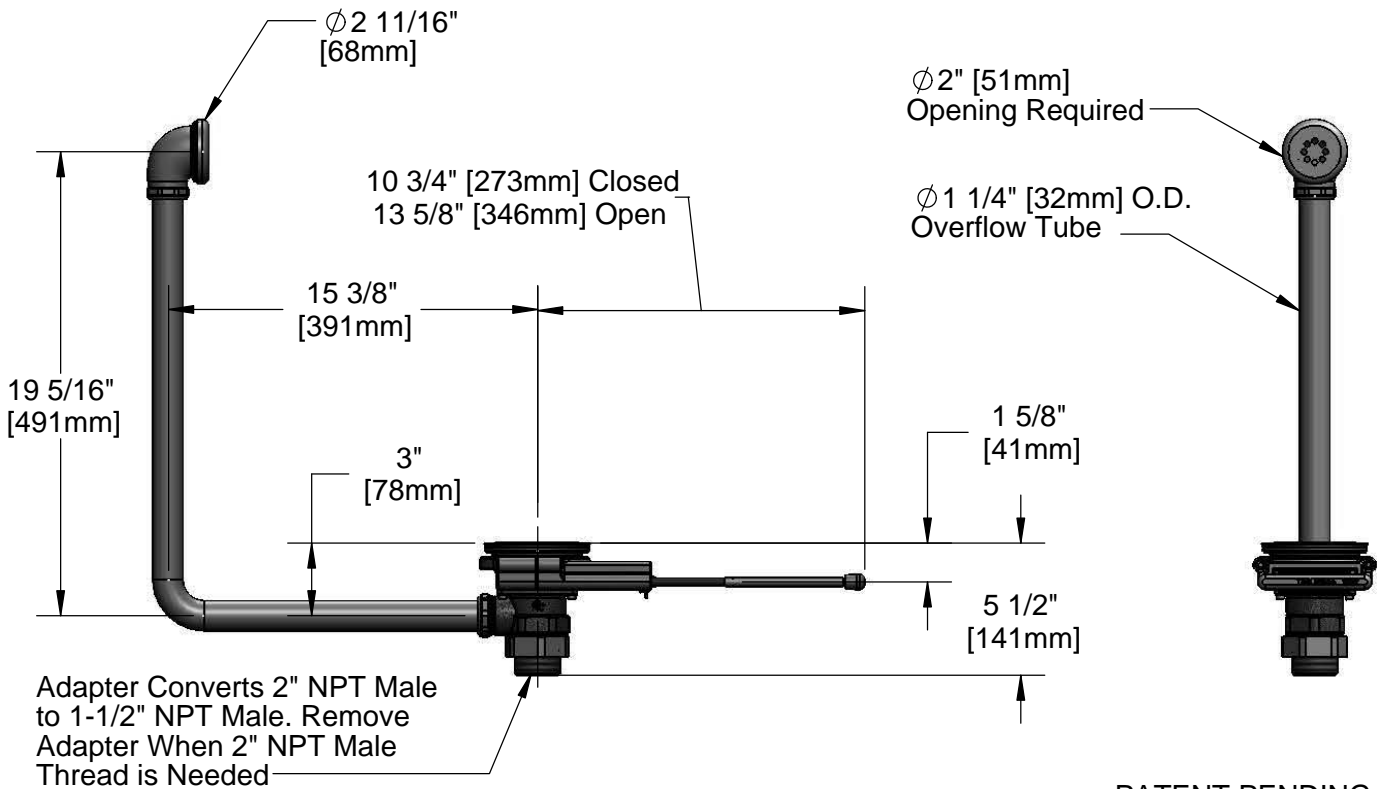
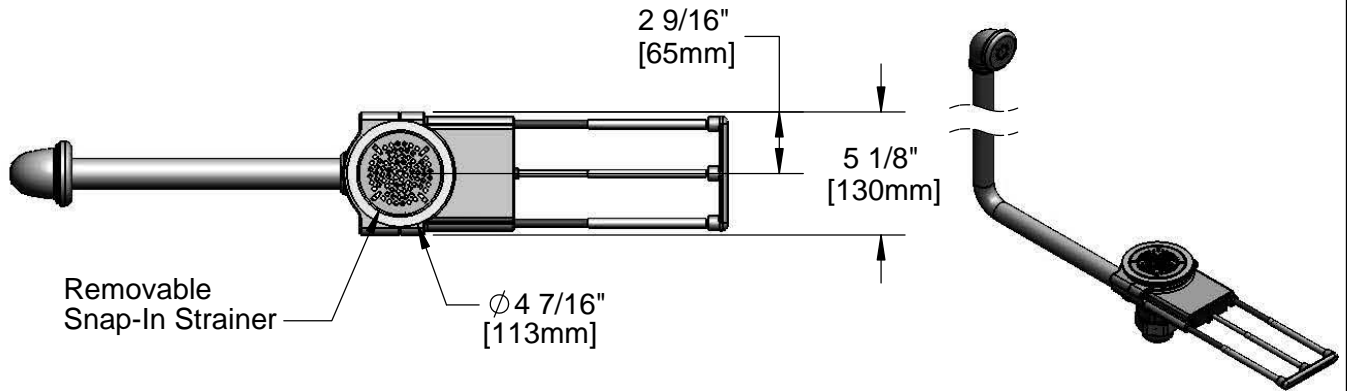
Model No.

B-3990-01-5X

Item No.

Travelers Rest, SC: 800-476-4103 • Simi Valley, CA: 800-423-0150 • Fax: 864-834-3518 • www.tsbrass.com

This Space for Architect/Engineer Approval Job Name _____ Date _____ Model Specified _____ Quantity _____ Customer/Wholesaler _____ Contractor _____ Architect/Engineer _____	Sink Bowl Size (Front to Back)	Recommended Sales Model
	18"	B-3990-01
	20"	B-3990-01 or B-3990-01-3X
	24"	B-3990-01-3X
	28"	B-3990-01-5X



PATENT PENDING

Product Specifications:
 Modular Waste Drain Valve w/ Pull Handle, 3 1/2" Sink Opening, 2" NPT Female x 1-1/2" NPT Male Adapter, Overflow Tube w/ Head Assembly, 5" Handle Extension

Product Compliance:
 ASME A112.18.2 / CSA B125.2



T&S BRASS AND BRONZE WORKS, INC.

2 Saddleback Cove / P.O. Box 1088
Travelers Rest, SC 29690

Model No.

B-3990-01-5X

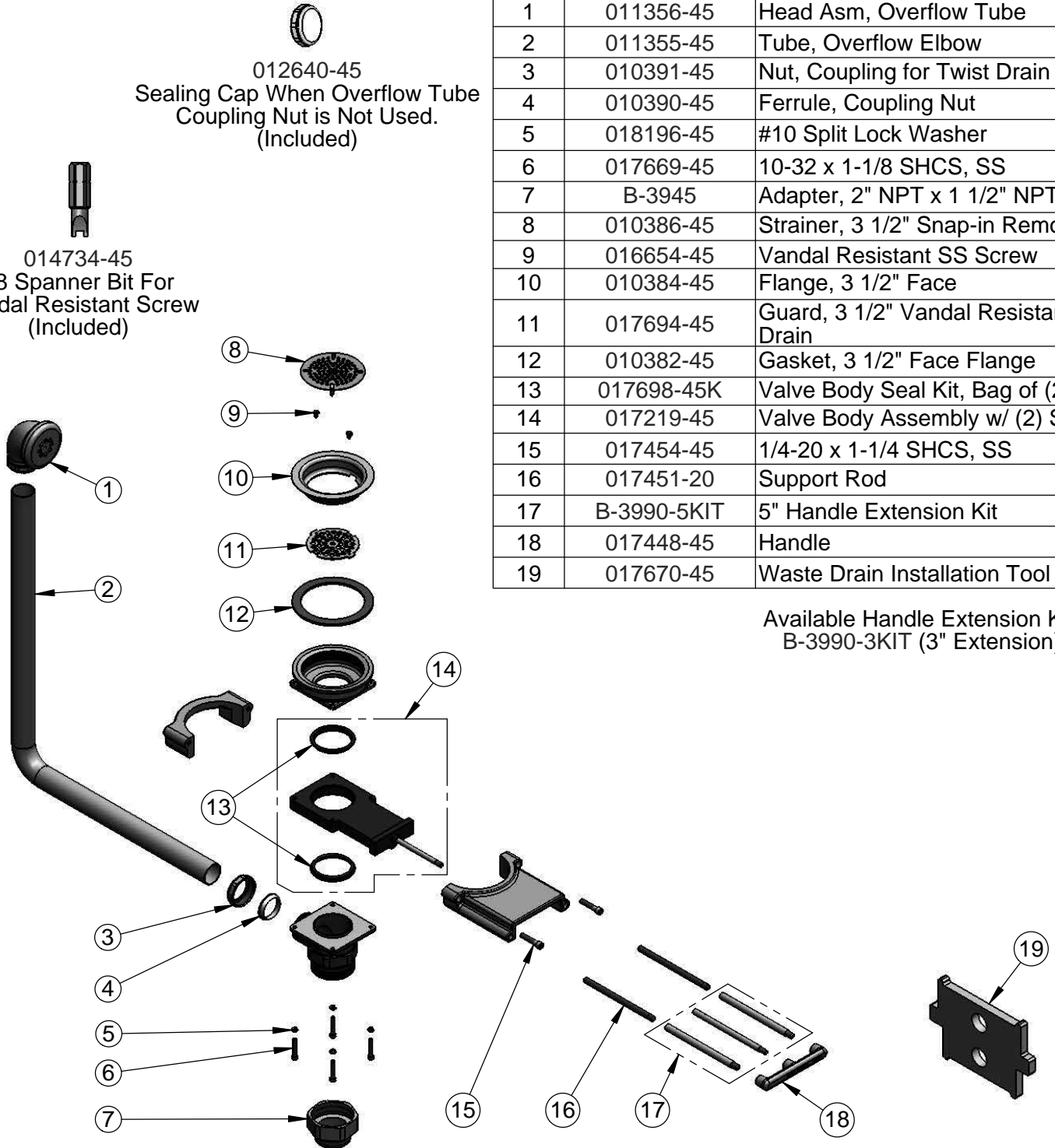
Item No.

Travelers Rest, SC: 800-476-4103 • Simi Valley, CA: 800-423-0150 • Fax: 864-834-3518 • www.tsbrass.com

ITEM NO.	SALES NO.	DESCRIPTION
1	011356-45	Head Asm, Overflow Tube
2	011355-45	Tube, Overflow Elbow
3	010391-45	Nut, Coupling for Twist Drain
4	010390-45	Ferrule, Coupling Nut
5	018196-45	#10 Split Lock Washer
6	017669-45	10-32 x 1-1/8 SHCS, SS
7	B-3945	Adapter, 2" NPT x 1 1/2" NPT
8	010386-45	Strainer, 3 1/2" Snap-in Removable
9	016654-45	Vandal Resistant SS Screw
10	010384-45	Flange, 3 1/2" Face
11	017694-45	Guard, 3 1/2" Vandal Resistant Drain
12	010382-45	Gasket, 3 1/2" Face Flange
13	017698-45K	Valve Body Seal Kit, Bag of (2)
14	017219-45	Valve Body Assembly w/ (2) Seals
15	017454-45	1/4-20 x 1-1/4 SHCS, SS
16	017451-20	Support Rod
17	B-3990-5KIT	5" Handle Extension Kit
18	017448-45	Handle
19	017670-45	Waste Drain Installation Tool

012640-45
Sealing Cap When Overflow Tube
Coupling Nut is Not Used.
(Included)

014734-45
#8 Spanner Bit For
Vandal Resistant Screw
(Included)



Available Handle Extension Kit:
B-3990-3KIT (3" Extension)

Product Specifications:

Modular Waste Drain Valve w/ Pull Handle, 3 1/2" Sink Opening, 2" NPT Female x 1-1/2" NPT Male Adapter, Overflow Tube w/ Head Assembly, 5" Handle Extension

Product Compliance:

ASME A112.18.2 / CSA B125.2