

T&S BRASS AND BRONZE WORKS, INC.

2 Saddleback Cove / P.O. Box 1088
Travelers Rest, SC 29690

Model No.

B-7112-01M

Item No.

Travelers Rest, SC: 800-476-4103 • Simi Valley, CA: 800-423-0150 • Fax: 864-834-3518 • www.tsbrass.com

This Space for Architect/Engineer Approval

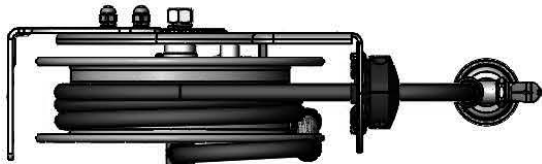
Job Name _____ Date _____

Model Specified _____ Quantity _____

Customer/Wholesaler _____

Contractor _____

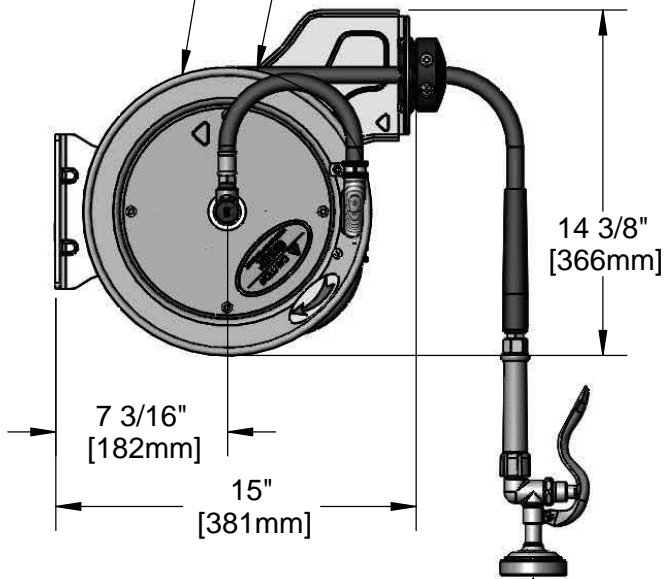
Architect/Engineer _____



3/8" NPT Female Inlet
(Left Side of Reel)

Open Stainless Steel
Hose Reel;
15 Ft. of 3/8" Hose

Ø 12"
[305mm]

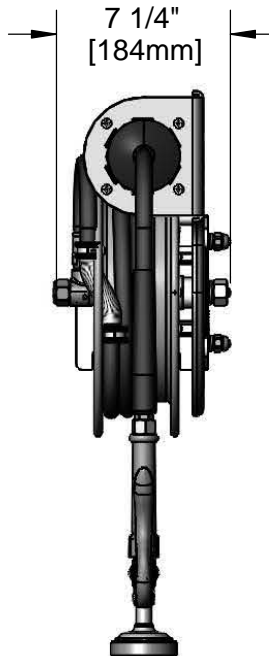


14 3/8"
[366mm]

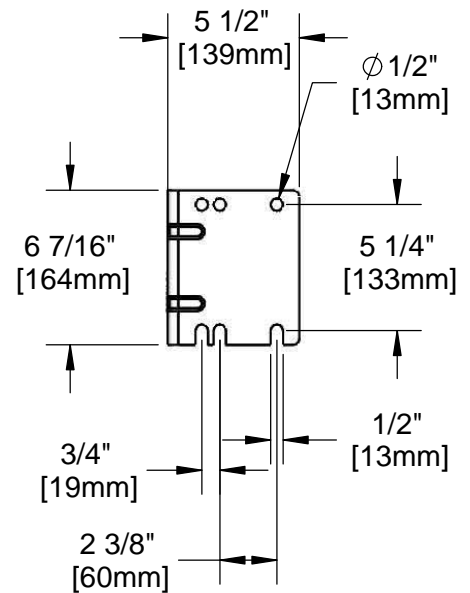
7 3/16"
[182mm]

15"
[381mm]

B-0107
1.42 GPM
Spray Valve



7 1/4"
[184mm]



5 1/2"
[139mm]

Ø 1/2"
[13mm]

6 7/16"
[164mm]

5 1/4"
[133mm]

3/4"
[19mm]

1/2"
[13mm]

2 3/8"
[60mm]

Product Specifications:
3/8" x 15 Ft. Open Stainless Steel Reel w/ 1.42 GPM Spray Valve

Product Compliance:
NSF 61 Exempt (Non-Potable)
EPA Act 2005 (PRSV)



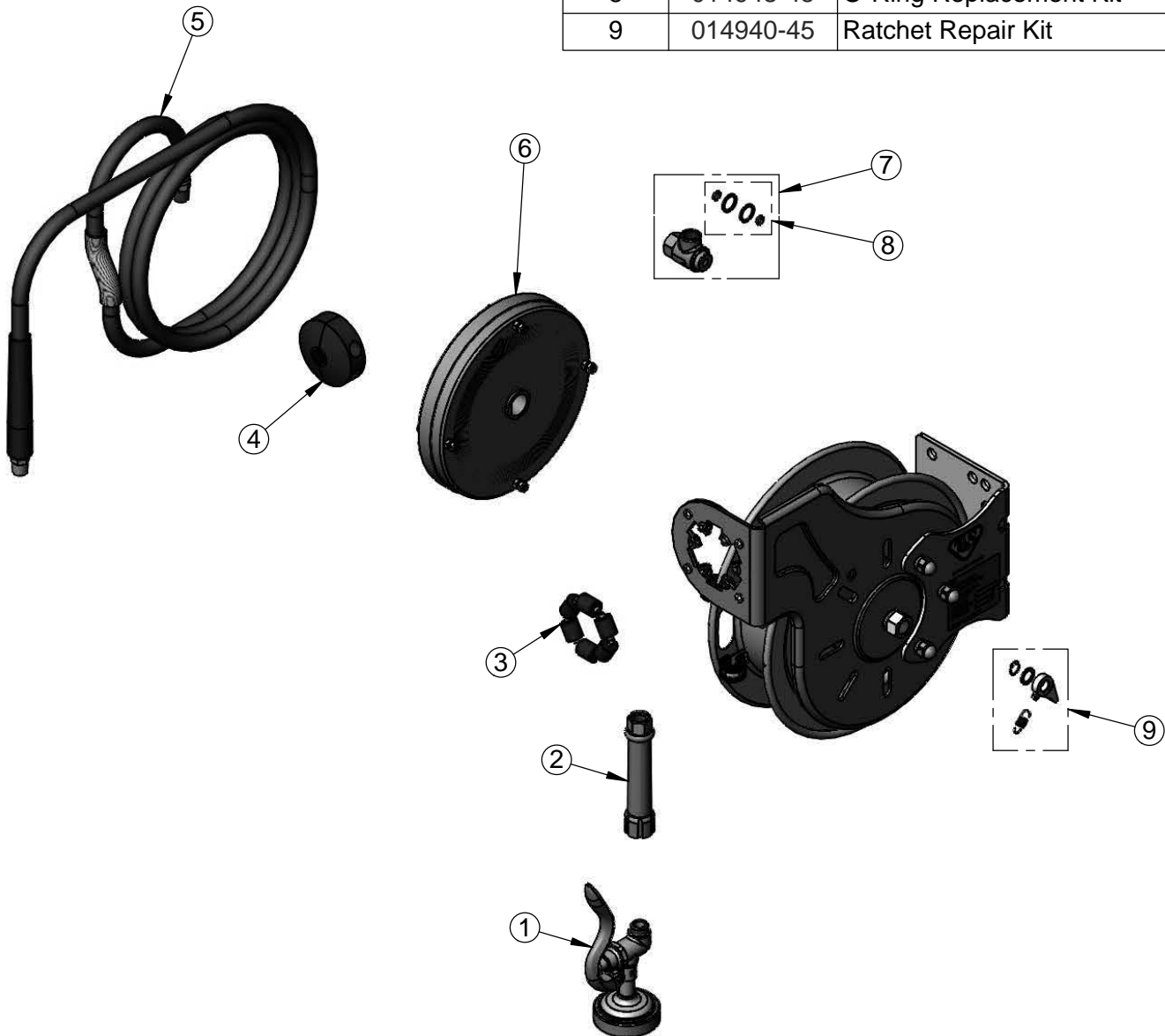
T&S BRASS AND BRONZE WORKS, INC.
 2 Saddleback Cove / P.O. Box 1088
 Travelers Rest, SC 29690

Model No.
B-7112-01M

Item No.

Travelers Rest, SC: 800-476-4103 • Simi Valley, CA: 800-423-0150 • Fax: 864-834-3518 • www.tsbrass.com

ITEM NO.	SALES NO.	DESCRIPTION
1	B-0107	1.42 GPM Gray Spray Valve
2	002881-40	Gray Handle Grip
3	014938-45	Roller Assembly Repair Kit
4	014949-45	Hose Stop Repair Kit
5	014944-45	3/8" x 15' Hose Replacement Kit
6	014933-45	Small SS Spring Assembly
7	014946-45	3/8" Swivel Repair Kit
8	014948-45	O-Ring Replacement Kit
9	014940-45	Ratchet Repair Kit



Product Specifications:
 3/8" x 15 Ft. Open Stainless Steel Reel w/ 1.42 GPM Spray Valve

Product Compliance:
 NSF 61 Exempt (Non-Potable)
 EPAAct 2005 (PRSV)