



T&S BRASS AND BRONZE WORKS, INC.
 2 Saddleback Cove / P.O. Box 1088
 Travelers Rest, SC 29690

Model No.
B-7142-01M

Item No.

Travelers Rest, SC: 800-476-4103 • Simi Valley, CA: 800-423-0150 • Fax: 864-834-3518 • www.tsbrass.com

This Space for Architect/Engineer Approval

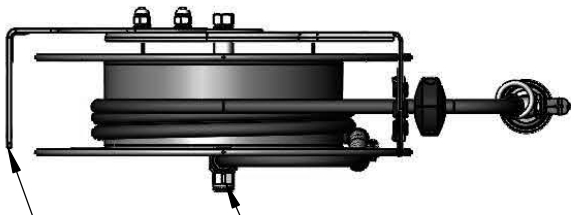
Job Name _____ Date _____

Model Specified _____ Quantity _____

Customer/Wholesaler _____

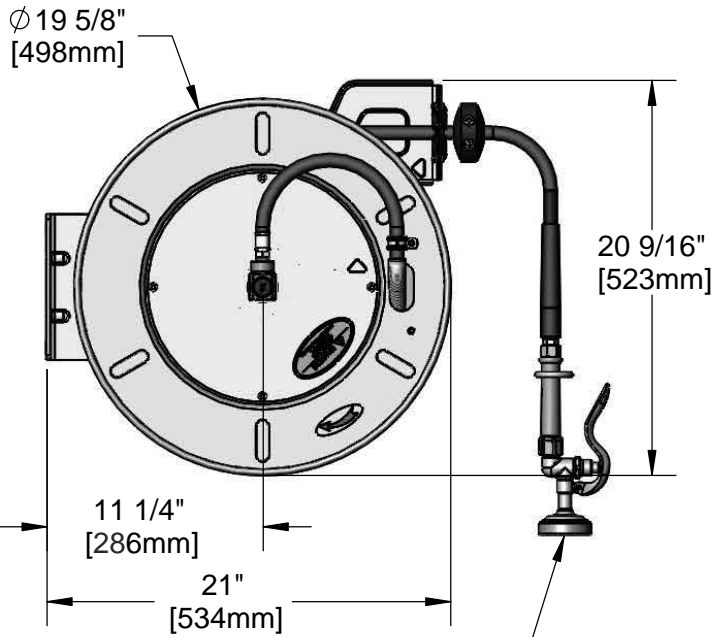
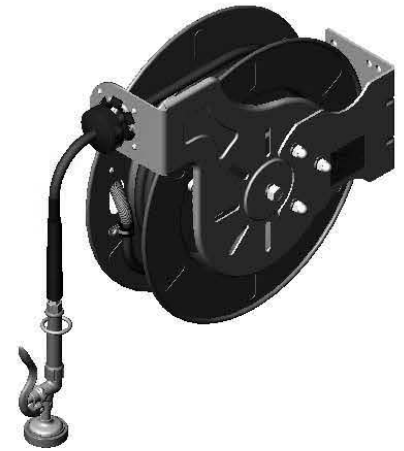
Contractor _____

Architect/Engineer _____

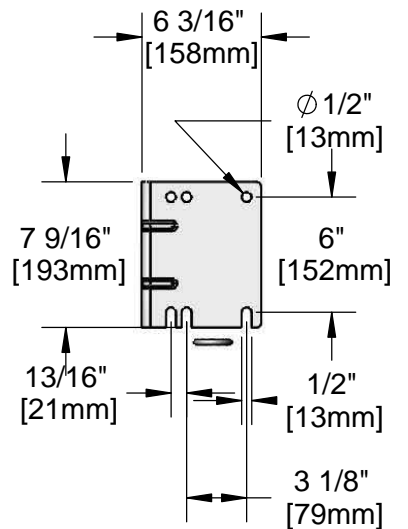
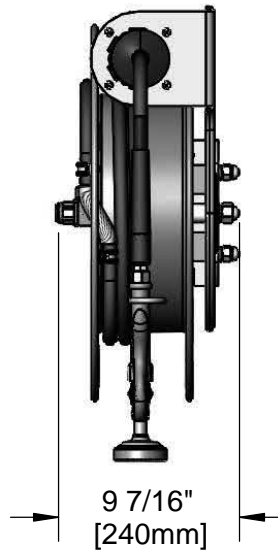


3/8" NPT Female Inlet
 (Left Side of Reel)

Open Stainless Steel Hose Reel;
 50 Ft. of 3/8" Hose



B-0107
 1.42 GPM
 Spray Valve



Product Specifications:
 3/8" x 50 Ft. Open Stainless Steel Reel w/ 1.42 GPM Spray Valve

Product Compliance:
 NSF 61 Exempt (Non-Potable)
 EPA Act 2005 (PRSV)



T&S BRASS AND BRONZE WORKS, INC.
 2 Saddleback Cove / P.O. Box 1088
 Travelers Rest, SC 29690

Model No.
B-7142-01M

Item No.

Travelers Rest, SC: 800-476-4103 • Simi Valley, CA: 800-423-0150 • Fax: 864-834-3518 • www.tsbrass.com

| ITEM NO. | SALES NO. | DESCRIPTION |
|----------|-----------|-----------------------------------|
| 1 | B-0107 | 1.42 GPM Gray Spray Valve |
| 2 | 002881-40 | Gray Handle Grip |
| 3 | 014938-45 | Roller Assembly Repair Kit |
| 4 | 014949-45 | Hose Stop Repair Kit |
| 5 | 014942-45 | 3/8" x 50' Hose Replacement Kit |
| 6 | 014935-45 | Large SS Spring Assembly |
| 7 | 019561-45 | 3/8" x 50' Swivel Repair Kit |
| 8 | 019473-45 | 3/8" x 50' O-Ring Replacement Kit |
| 9 | 014940-45 | Ratchet Repair Kit |



Product Specifications:
 3/8" x 50 Ft. Open Stainless Steel Reel w/ 1.42 GPM Spray Valve

Product Compliance:
 NSF 61 Exempt (Non-Potable)
 EPA Act 2005 (PRSV)