



# T&S BRASS AND BRONZE WORKS, INC.

2 Saddleback Cove / P.O. Box 1088  
Travelers Rest, SC 29690

Model No.

**B-7212-01-PPB**

Item No.

Travelers Rest, SC: 800-476-4103 • Simi Valley, CA: 800-423-0150 • Fax: 864-834-3518 • www.tsbrass.com

This Space for Architect/Engineer Approval

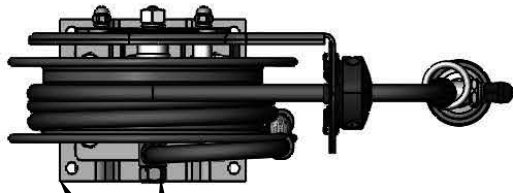
Job Name \_\_\_\_\_ Date \_\_\_\_\_

Model Specified \_\_\_\_\_ Quantity \_\_\_\_\_

Customer/Wholesaler \_\_\_\_\_

Contractor \_\_\_\_\_

Architect/Engineer \_\_\_\_\_



3/8" NPT Female Inlet  
(Left Side of Reel)

Epoxy Coated Deck Mount  
Pivot Bracket w/ 345° of  
Rotation

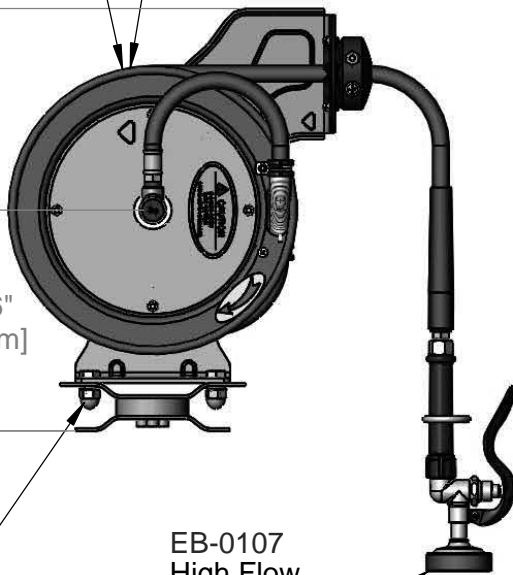
Ø 12"  
[305mm]

Epoxy Coated Open  
Hose Reel  
15' of 3/8" Hose



17 5/8"  
[447mm]

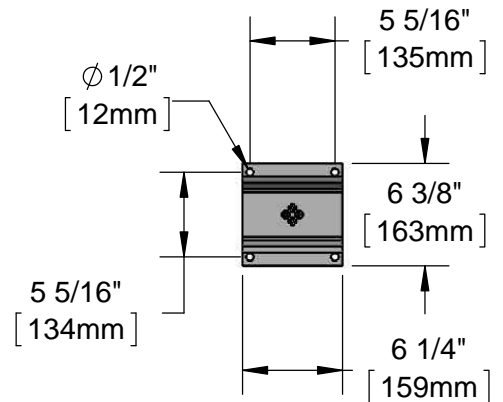
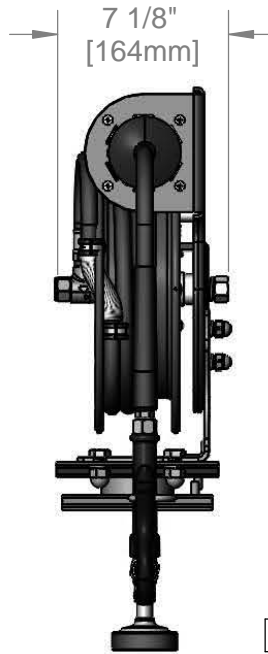
9 3/16"  
[223mm]



EB-0107  
High Flow  
Spray Valve

Mounting Hardware Included  
for Hose Reel to Bracket

7 1/8"  
[164mm]



### Product Specifications:

3/8" x 15' Epoxy Coated Open Reel, High Flow Spray Valve & 345 Degree Epoxy Coated Pivot Deck Mount Bracket w/ Mounting Hardware for Hose Reel to Bracket

### Product Compliance:

NSF 61 Exempt (Non-Potable)  
EPA 2005 Non-Compliant (PRSV)



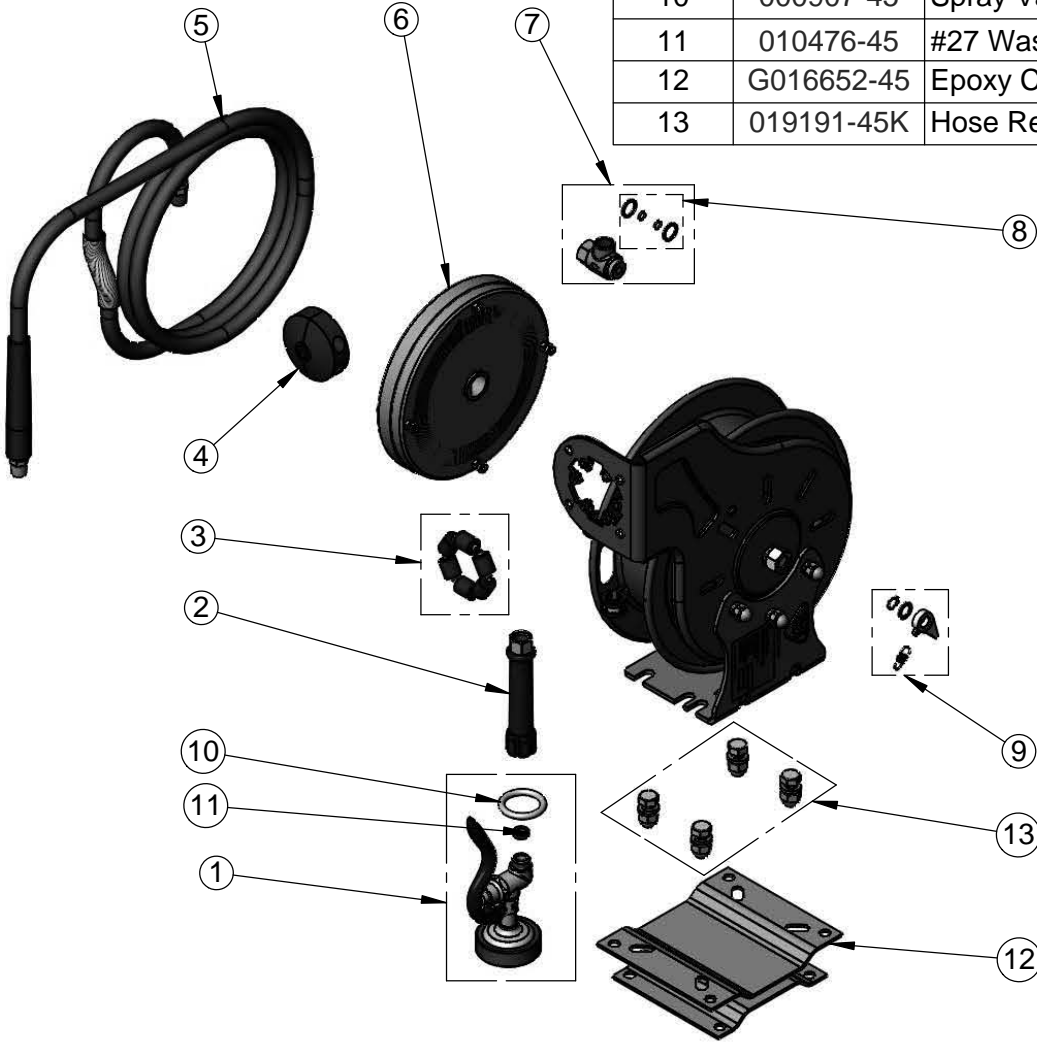
**T&S BRASS AND BRONZE WORKS, INC.**  
 2 Saddleback Cove / P.O. Box 1088  
 Travelers Rest, SC 29690

Model No.  
**B-7212-01-PPB**

Item No.

Travelers Rest, SC: 800-476-4103 • Simi Valley, CA: 800-423-0150 • Fax: 864-834-3518 • www.tsbrass.com

ITEM NO.	SALES NO.	DESCRIPTION
1	EB-0107	High Flow Spray Valve (Blue)
2	012504-40	Grip Handle (Blue) w/ Washer
3	014936-45	Roller Repair Kit
4	014949-45	Hose Stop Repair Kit
5	014944-45	3/8" x 15' Hose Replacement Kit
6	014933-45	Small Stainless Steel Spring
7	014946-45	3/8" Swivel Repair Kit
8	014948-45	O-Ring Replacement Kit
9	014940-45	Ratchet Repair Kit
10	000907-45	Spray Valve Hold Down Ring
11	010476-45	#27 Washer
12	G016652-45	Epoxy Coated Pivot Bracket
13	019191-45K	Hose Reel Bracket Mounting Kit



**Product Specifications:**  
 3/8" x 15' Epoxy Coated Open Reel, High Flow Spray Valve &  
 345 Degree Epoxy Coated Pivot Deck Mount Bracket  
 w/ Mounting Hardware for Hose Reel to Bracket

**Product Compliance:**  
 NSF 61 Exempt (Non-Potable)  
 EPA Act 2005 Non-Compliant (PRSV)