



**T&S BRASS AND BRONZE WORKS, INC.**  
 2 Saddleback Cove / P.O. Box 1088  
 Travelers Rest, SC 29690

Model No.  
**B-7222-C01**

Item No.

Travelers Rest, SC: 800-476-4103 • Simi Valley, CA: 800-423-0150 • Fax: 864-834-3518 • www.tsbrass.com

This Space for Architect/Engineer Approval

Job Name \_\_\_\_\_ Date \_\_\_\_\_

Model Specified \_\_\_\_\_ Quantity \_\_\_\_\_

Customer/Wholesaler \_\_\_\_\_

Contractor \_\_\_\_\_

Architect/Engineer \_\_\_\_\_

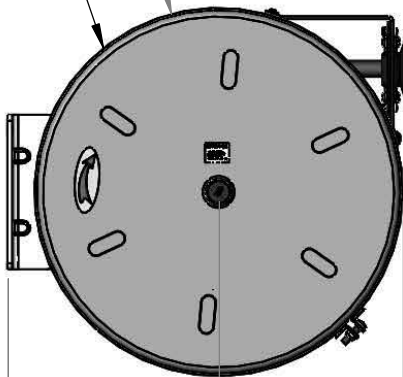


Enclosed Coated Hose Reel;  
 30 Ft. of 3/8" Hose

Ø15 3/8"  
 [390mm]

3/8" NPT Female  
 Inlet (Left Side of Reel)

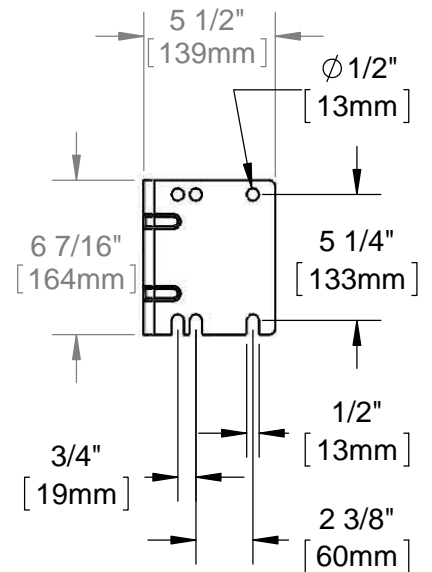
6 1/2"  
 [166mm]



8 13/16"  
 [223mm]

16 7/16"  
 [418mm]

EB-0107  
 High Flow  
 Spray Valve



Product Specifications:  
 Hose Reel System:  
 3/8" x 30 Ft. Enclosed Epoxy Coated Reel w/ High Flow Spray Valve

Product Compliance:  
 NSF 61 Exempt (Non-Potable)  
 EPA Act 2005 Non-Compliant (PRSV)



**T&S BRASS AND BRONZE WORKS, INC.**  
 2 Saddleback Cove / P.O. Box 1088  
 Travelers Rest, SC 29690

Model No.  
**B-7222-C01**  
 Item No.

Travelers Rest, SC: 800-476-4103 • Simi Valley, CA: 800-423-0150 • Fax: 864-834-3518 • www.tsbrass.com

ITEM NO.	SALES NO.	DESCRIPTION
1	EB-0107	High Flow Spray Valve
2	012504-40	Grip Handle (Blue)
3	010476-45	#27 Washer
4	014943-45	3/8" x 30' Hose Replacement Kit
5	014949-45	Hose Stop Repair Kit
6	014946-45	3/8" Swivel Repair Kit
7	014948-45	O-Ring Replacement Kit
8	014932-45	Small Coated Spring
9	014936-45	Roller Replacement Kit
10	014940-45	Ratchet Repair Kit



Product Specifications:  
 Hose Reel System:  
 3/8" x 30 Ft. Enclosed Epoxy Coated Reel w/ High Flow Spray Valve

Product Compliance:  
 NSF 61 Exempt (Non-Potable)  
 EPA Act 2005 Non-Compliant (PRSV)