



# T&S BRASS AND BRONZE WORKS, INC.

2 Saddleback Cove / P.O. Box 1088  
Travelers Rest, SC 29690



REG. #A2601  
ISO #9001

Model No.  
**B-7232-08M**

Item No.

Travelers Rest, SC: 800-476-4103 Simi Valley, CA: 800-423-0150 Fax: 864-834-3518 www.tsbrass.com

This Space for Architect/Engineer Approval

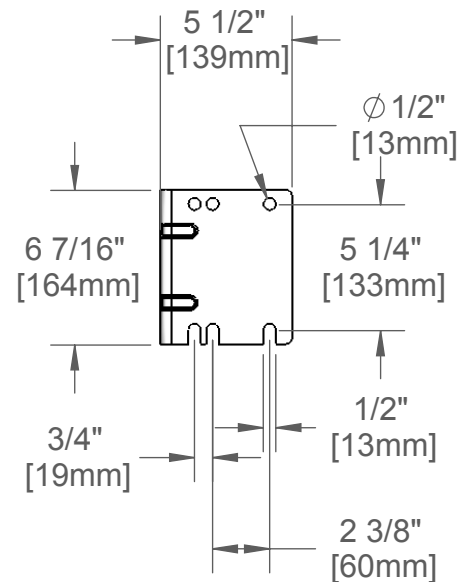
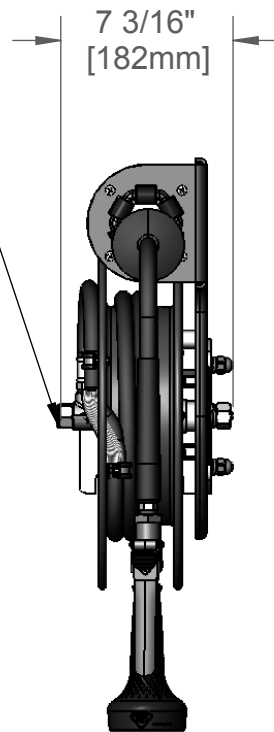
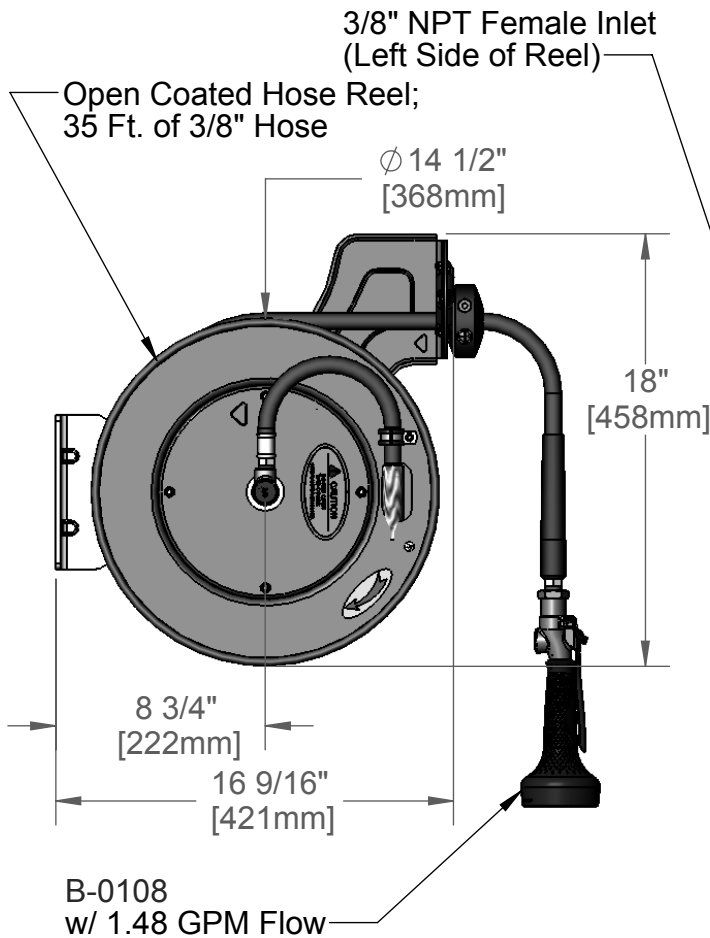
Job Name \_\_\_\_\_ Date \_\_\_\_\_

Model Specified \_\_\_\_\_ Quantity \_\_\_\_\_

Customer/Wholesaler \_\_\_\_\_

Contractor \_\_\_\_\_

Architect/Engineer \_\_\_\_\_



## EPAct2005 COMPLIANT

Product Specifications:

**3/8" x 35 Ft. Open Coated Reel**  
**B-0108 w/ 1.48 GPM Flow**

Drawn JRM	Checked DHL	Approved JHB
Scale: 1:8	Date: 12/19/07	



# T&S BRASS AND BRONZE WORKS, INC.

2 Saddleback Cove / P.O. Box 1088  
Travelers Rest, SC 29690



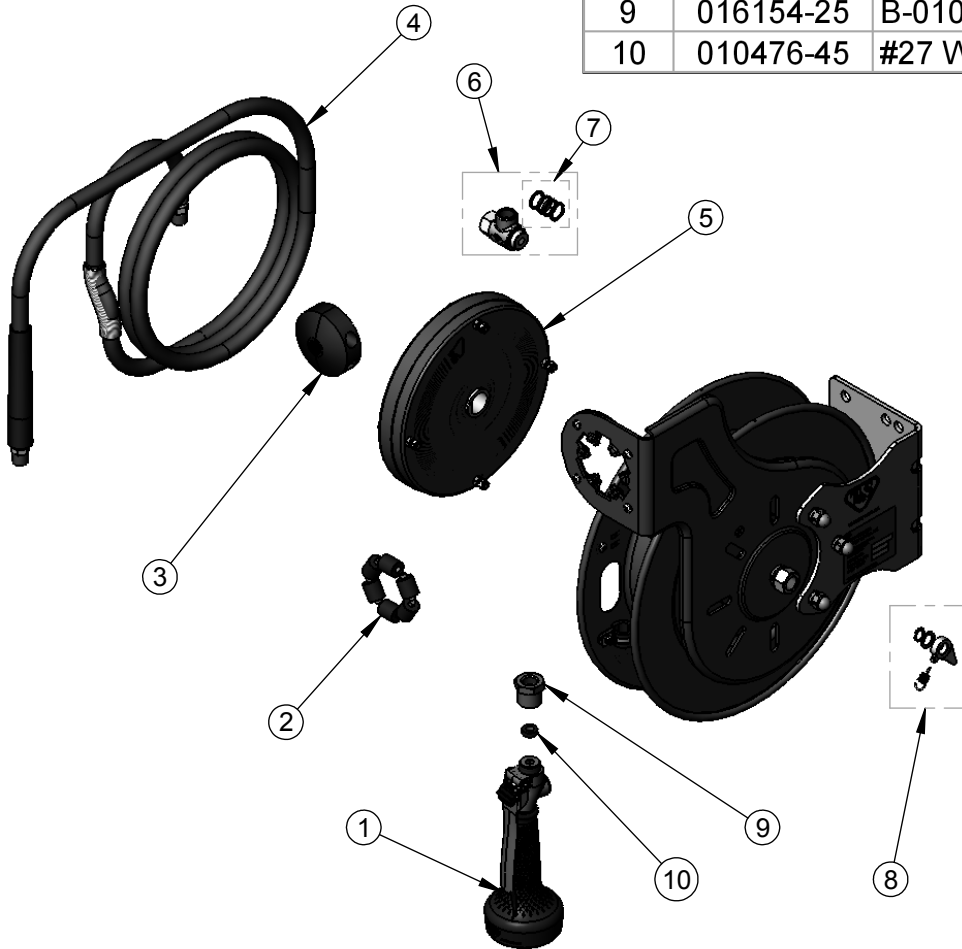
REG. #A2601  
ISO #9001

Model No.  
**B-7232-08M**

Item No.

Travelers Rest, SC: 800-476-4103 Simi Valley, CA: 800-423-0150 Fax: 864-834-3518 www.tsbrass.com

ITEM NO.	SALES NO.	DESCRIPTION
1	B-0108	1.48 GPM B-0108 Spray Valve
2	014938-45	Roller Assembly Repair Kit
3	014949-45	Hose Stop Repair Kit
4	014941-45	3/8" x 35' Hose Replacement Kit
5	014932-45	Small Spring Assembly
6	014946-45	3/8" Swivel Repair Kit
7	014948-45	O-Ring Replacement Kit
8	014940-45	Ratchet Repair Kit
9	016154-25	B-0108 3/8" NPT Hose Adapter
10	010476-45	#27 Washer



### Product Specifications:

3/8" x 35 Ft. Open Coated Reel  
B-0108 w/ 1.48 GPM Flow

Drawn  
JRM

Checked  
DHL

Approved  
JHB

Scale:

1:8

Date:

12/19/07